



Smith & Wesson®

Owner's Manual
Metal Frame Centerfire Pistols
.....
Single/Double Action Modes
Double Action Only Modes



Read the instructions and warnings in this manual **CAREFULLY BEFORE** using this firearm.

2100 Roosevelt Avenue • Springfield, MA 01104
1-800-331-0852 • Fax: 413-747-3317
www.smith-wesson.com

**READ THESE INSTRUCTIONS
AND WARNINGS CAREFULLY. BE
SURE YOU UNDERSTAND THESE
INSTRUCTIONS AND WARNINGS
BEFORE USING THIS FIREARM.**

**This SAFETY, INSTRUCTION
and PARTS MANUAL should
always accompany this firearm
and be transferred with it upon
change of ownership or presented
to another person. A copy of the
SAFETY, INSTRUCTION, & PARTS
MANUAL is available FREE upon
request from:**

**SMITH & WESSON
CUSTOMER SUPPORT CENTER
2100 ROOSEVELT AVENUE
SPRINGFIELD, MA 01104
TEL.: 1-800-331-0852
E-mail: qa@smith-wesson.com**

INDEX

SAFETY	4
BASIC FIREARMS SAFETY RULES	5-6
MODEL NUMBER IDENTIFICATION	7
SAFE STORAGE AND TRANSPORTATION	8-9
NOMENCLATURE	9-10
PREPARATION FOR FIRING	10-11
AMMUNITION	11-12
INSPECTING YOUR PISTOL	13-14
LOADING	15-17
FIRING	18
MANUAL COCKING	19
DECOCKING	19
CLEARING MISFIRES	19
PRODUCT WARNING	20
UNLOADING	20
SIGHT ADJUSTMENT	20-21
FIELD STRIPPING DISASSEMBLY	21-22
FIELD STRIPPING REASSEMBLY	22-23
MAGAZINE DISASSEMBLY	23
MAGAZINE REASSEMBLY	24
CLEANING & MAINTENANCE	24
SERVICE/SHIPPING/PARTS	25-26
WARRANTY	27
EXTENDED SERVICE POLICY	28
COMPONENT PARTS	29-30
WARNINGS	31

SAFETY

SAFETY IS YOUR NUMBER ONE RESPONSIBILITY!!!!



WARNING: YOU MUST FOLLOW ALL OF THESE SAFETY RULES TO ENSURE THE SAFE USE OF YOUR FIREARM

- **Safe gun handling is YOUR personal responsibility at all times.** Firearms are dangerous and can cause serious injury and death if they are misused or used inappropriately. Safety must be the prime consideration of anyone who owns or handles firearms.
- **You are responsible for the firearm at all times.** In owning a firearm, you must undertake full-time responsibility for your firearm's safety and security. You must protect yourself and all others against injury or death from misuse of the firearm.
- **Safe storage is your responsibility.** In particular, you must secure firearms safely from children and unauthorized users. A lock has been provided for your use with this firearm. A lock is not a substitute for safe and secure storage as defined in the "Safe Storage and Transportation" section of this manual.
- **Accidents are the result of violating the rules of safe gun handling and common sense.**
- **For your safety and the safety of others, never rely on mechanical features alone.** Only your safe gun-handling habits will ensure the safe use of your firearm. This is your responsibility.
- **Never keep ammunition in the same location as the handgun.** Store in a separate and secure place.
- **READ and UNDERSTAND these instructions before using your firearm.**

BASIC FIREARM SAFETY RULES

At home, in the field, at the range, or anywhere, the first concern of every firearm owner should be safety. Apply the following safety rules in every situation, with any kind of firearm.



WARNING!

THE FAILURE TO FOLLOW THESE BASIC FIREARM SAFETY RULES MAY RESULT IN AN UNINTENDED DISCHARGE WHICH COULD CAUSE SERIOUS PERSONAL INJURY OR DEATH.

- **BEFORE HANDLING ANY FIREARM, UNDERSTAND ITS OPERATION.** Not all firearms are the same. Familiarize yourself with the mechanical features of any firearm you intend to use. If you feel uncertain about any operational aspects of your handgun, please contact Smith & Wesson at 1-800-331-0852 before proceeding with its operation.
- **ALWAYS SAFELY STORE AND SECURE YOUR FIREARM.** Safe and secure storage of your firearm is one of the most important responsibilities of firearms ownership. It is a full-time responsibility. You must always secure your firearm and ammunition separately so that they are not accessible to children or other unauthorized persons. (See Safe Storage Instructions)
- **ALWAYS TREAT EVERY FIREARM AS IF IT WERE LOADED AND WOULD FIRE IF THE TRIGGER IS PULLED.** Do not take anyone's word that the firearm is unloaded – always check for yourself. Never pass your firearm to another person until the cylinder or action is open and you visually check that it is unloaded. Keep your firearm unloaded and safely stored when not in use.
- **ALWAYS KEEP YOUR FIREARM POINTED IN A SAFE DIRECTION.** Never point a firearm at anyone or anything you do not intend to shoot whether or not it is loaded. This is particularly important when loading, unloading, or field stripping the gun. ALWAYS control the direction of the firearm.
- **NEVER PLACE YOUR FINGER INSIDE THE TRIGGER GUARD UNLESS YOU INTEND TO FIRE.** Your firearm cannot fire unless the trigger is pulled. Ensure that other objects do not touch the trigger.
- **ALWAYS BE SURE OF YOUR TARGET AND WHAT IS BEYOND IT.** Always be sure of where the bullet will strike and shoot only where there is a safe backstop free of obstructions, water or other surfaces which can cause ricochets. Do not fire into the sky.

BASIC FIREARM SAFETY RULES CONT'D.

ADDITIONAL IMPORTANT SAFETY RULES

- Never carry or store a firearm with the hammer or striker in the cocked position.
- Do not allow a firearm to be used by individuals who have not read these basic firearms safety rules and do not understand its safe operation and the rules of safe gun-handling.
- Be sure all accessories, such as holsters and grips, are compatible with the firearm and that the accessories do not interfere with safe operation.
- Use the correct ammunition for your particular firearm as indicated by the marking on the barrel. Never use non-standard, reloaded, or "handloaded" ammunition which has not been subjected to internal ballistic pressure testing.
- Discharging firearms in poorly ventilated areas, cleaning firearms, or handling ammunition may result in exposure to lead and other substances known to cause birth defects, reproductive harm, and other serious physical injury. Review the warnings and labels for all ammunition and cleaning products carefully. Have adequate ventilation at all times. Wash hands thoroughly after exposure.
- Never use alcohol or drugs before or while shooting. Do not use your firearm if you are on any medication which impairs, even slightly, your mental or physical ability.
- Wear eye and hearing protection appropriate for firearm use every time you discharge your firearm. Make sure others in the vicinity of where you will be shooting do so as well.
- Do not allow any alteration or replacement of parts in your Smith & Wesson firearm unless performed by a qualified gunsmith using genuine Smith & Wesson parts. If you do otherwise, improper functioning of your firearm may occur and serious injury may result.
- Never cross obstacles such as fences or streams with a loaded firearm.
- Firearm safety training is available. Contact your dealer, Law Enforcement Agency, local sportsman's club, etc. for availability.
- Appropriate use for your firearm means using your firearm for legal purposes. For example - target shooting and lawful resistance of deadly criminal force.
- These are basic firearms safety rules. There are other common sense safety rules that should be followed at all times under the circumstances then presented.
SAFE USE OF A FIREARM IS YOUR PERSONAL RESPONSIBILITY AND THE FAILURE TO FOLLOW ALL OF THESE BASIC SAFETY RULES MAY RESULT IN SEVERE PERSONAL INJURY OR DEATH.

SAFE STORAGE & TRANSPORTATION



WARNING: SAFE AND SECURE STORAGE OF YOUR FIREARM IS ONE OF THE MOST IMPORTANT RULES OF FIREARM SAFETY. YOUR FAILURE TO FOLLOW THESE RULES MAY RESULT IN SERIOUS INJURY OR DEATH.

- You must always secure your firearm and ammunition separately so that they are not accessible to children or other unauthorized persons.
- Safe and secure storage and transportation of your firearm are your responsibility. It is a full-time responsibility.
- **ALWAYS STORE YOUR FIREARM UNLOADED.** Your firearm and ammunition should be stored separately in places and in a manner inaccessible to children and unauthorized persons.
- **SMITH & WESSON HAS PROVIDED A LOCK FOR USE WITH YOUR FIREARM.** There are also a variety of other locks and safe storage containers available in the marketplace which may be appropriate for your particular needs. Consult your local gunshop, hardware store, or local police department for guidance on the variety of other safe storage devices or practices which may be appropriate for your particular needs. By purchasing this firearm you have taken on the responsibility of safely securing the firearm at all times and preventing its unauthorized use. It is your personal responsibility to select and use whatever devices or practices that will enable you to safely secure your firearm at all times.



DO NOT USE A LOCK ON A LOADED HANDGUN AND NEVER LOAD A LOCKED HANDGUN!!



Only you can determine what devices or practices are appropriate for the safe storage of your firearm and your ammunition.

- **NEVER ASSUME THAT A "HIDING" PLACE IS A SECURE STORAGE METHOD.** Others may be aware of your storage location or come upon it by chance. It is your personal responsibility to use common sense when storing and securing your firearm and ammunition and to always make sure that it is not accessible to children or other unauthorized persons.
- **FOLLOW THE LAW!!** You must be familiar with all local, state, and federal laws regarding the safe storage and transportation of your firearm. Failure to know and follow the law may result in unauthorized access or use of your firearm by another. Obey all laws relating to the storage and transportation of firearms.
- **NEVER TRANSPORT A LOADED FIREARM.** When transporting your firearm, be sure it is unloaded and that the cylinder or action is open.

SAFE STORAGE & TRANSPORTATION CONT'D.

- Your local police department or gunshop will furnish you with available information on storing and/or transporting a firearm legally.
- **YOUR FIREARM IS YOUR RESPONSIBILITY.** Protect your firearm from theft or misuse by untrained or unqualified individuals.

MAINTENANCE BEFORE STORAGE

When storing, do not encase your firearm in anything that will attract or hold moisture, for example, leather or heavy cloth. Also, do not store guns with a plug inserted in the barrel for this can be a contributing factor to moisture accumulation. If your firearm is to be stored for an extended period, the bore, chambers and internal working mechanism should be oiled with acid-free lubricating oil or preservative, and the external working mechanisms, frame, cylinder and barrel should be coated with an anti-rust oil. Before using your firearm again, be sure to clean it. Every time you clean your firearm, check it for signs of wear. If wear is noted, do not use the firearm. Return it to Smith & Wesson for service or have it checked by a qualified gunsmith.

MAINTENANCE BEFORE USE

Before using your firearm, it should be cleaned. (See Cleaning Instructions) Your firearm has been treated with either a preservative or oil to protect it against corrosion. Before using it, all excess oil should be wiped from the bore, chambers (charge holes), and exposed areas using a clean swab or patch. A light coat of high quality gun oil should be applied to the outside surfaces and mechanism. Care should be taken not to oil the mechanism to the degree that dust and lint may be trapped by the oil.

NOMENCLATURE

Smith & Wesson handguns are reliable and safe to use when the basic firearm safety rules are followed. There are a number of internal safety mechanisms within the lockwork of the handgun which ensure that the firearm will not discharge unless the trigger of the handgun is pulled. That is one reason why it is important to never modify or alter your firearm. Before you use your handgun, you should be fully familiar with its operation.

Here is a list of basic firearms terminology.

AMMUNITION - CENTERFIRE - Ammunition which contains the primer in the center of the base of the case. Among the most common centerfire handgun cartridges are the .32, .38 Special, .380, 9mm, .357 Magnum®, .40 S&W®, .45 ACP and the .44 Magnum®.

AMMUNITION - RIMFIRE - Ammunition which contains the primer material in the rim. Among the most common rimfire handgun cartridges are the .22 Long, .22 Short, .22 LR, .22CB, .22BB, and .22 Magnum.

CALIBER - The diameter of a bullet, designated in hundredths or thousandths of an inch (.357) or in millimeters (9mm).

DECOCK - The process by which the hammer or striker is safely lowered.

NOMENCLATURE CONT'D.

DOUBLE ACTION - A firing action where the hammer or striker is drawn back, released, and the gun fired by a single pull of the trigger.

DOUBLE ACTION ONLY - A firearm designed so that it can only be fired in double action.

PISTOL - A handgun that contains the cartridges in a magazine.

REVOLVER - A handgun that contains the cartridges in a cylinder that revolves at the rear of the barrel.

SINGLE ACTION - A firing action where the hammer or striker is released from the cocked position by pulling the trigger.

The operation of your handgun will be explained in greater detail in the pages that follow, as well as a greater description of key component parts.

PREPARATION FOR FIRING



ALWAYS WEAR EYE AND EAR PROTECTION WHICH IS SPECIFIED FOR FIREARM USE.

- Failure to wear adequate and proper ear protection on even one occasion can permanently damage your hearing. Make sure others who are nearby are wearing ear protection as well.
- Always wear safety glasses, whether indoors or out. Safety glasses protect your eyes from the firing flash and particles associated with the discharge of ammunition.
- **DO NOT SHOOT AT HARD SURFACES, WATER OR UP INTO THE SKY.** Always select a place to shoot that has a safe backstop, is free from obstructions and water surfaces which cause ricochets.
- **Always be** aware of other people so that persons cannot accidentally walk into the line of fire.
- Position the shooter and all others so that they are not within an area where they may be struck by particle-spitting from a revolver or by ejected cases from other types of firearms.
- Keep fingers and other parts of your body away from the muzzle and away from the gap between the revolver barrel and cylinder, and away from the pistol slide and ejection port.
- Be alert and always follow the safety instruction of the range officer.

PREPARATION FOR FIRING CONT'D.

- Be sure that all cylinders and actions of firearms are open, that chambers are clear of cartridges, magazines are removed, and that firearms are pointing in a safe direction before anyone is allowed in front of the firing position.
- Be alert at all times. Never shoot if you are tired, cold or impaired in any way.
- Treat your firearm as if it were loaded at all times.

AMMUNITION

A. GENERAL PRINCIPLES

- A firearm and ammunition are a system and must work together. Their performance is closely related. There are different types of ammunition for different types of firearms. Your firearm has been designed for ammunition of a specific type and a specific caliber. It is important to select the proper ammunition for your firearm.



- **Never use ammunition not specifically designated for use in your firearm. Failure to use the correct type or caliber of ammunition may cause the firearm to jam, fail to fire or even generate excessive pressure which can damage or even rupture your firearm, causing personal injury or property damage.**
- You are responsible for selecting ammunition that meets industry standards and is appropriate in type and caliber for this firearm.
- Locate the caliber designation printed on the handgun. This information indicates the ammunition caliber that should be used in this firearm. (See figure #1)

B. HANDLOADED OR RELOADED AMMUNITION



- **Never use non-standard, reloaded or “handloaded” ammunition which has not been subjected to internal ballistic pressure testing.** Reloaded or handloaded ammunition, may have many manufacturing and quality variables (such as the type and amount of gun powder).
- **Any ammunition that is improperly manufactured, even in the slightest degree, may fail to fire or may generate excessive internal pressures which can damage or even rupture the firearm, causing personal injury to the shooter or those in the immediate vicinity.**



FIGURE 1

AMMUNITION CONT'D.

- Use only commercially manufactured ammunition with internal ballistic pressures which are in strict accordance with the specifications of the Sporting Arms and Ammunition Manufacturers' Institute (SAAMI).
- Be certain all ammunition you use complies with the SAAMI specifications. If you are uncertain, contact your ammunition supplier for verification.

C. MISFIRES

- If your firearm fails to fire when the trigger is pulled (misfires), keep the firearm pointed in a safe direction, remove your finger from the trigger, and wait 10 seconds. Only after you have completed all of the above steps, remove the magazine or open the cylinder and remove the cartridge from the chamber and dispose of it properly. Keep your firearm pointed in a safe direction at all times.
- If you have heard an unusual sound or felt an unusual recoil on firing, stop firing, wait 10 seconds, unload the firearm, and examine the barrel bore for obstructions.
- Make sure your barrel is clear and free of obstructions. If you see an obstruction, return your firearm to Smith & Wesson or take it to a qualified gunsmith. Never fire a firearm with an obstructed barrel.

D. AMMUNITION SPECIFICS

- Use only ammunition specifically recommended by Smith & Wesson for your firearm.
- Never mix ammunition.
- Never use a cartridge not specifically designated for use in your firearm. Pressure from the wrong type of ammunition may be beyond the capability of your firearm to withstand and may damage or even rupture your firearm.
- Whenever rimless pistol cartridges are used in the cylinder of a Smith & Wesson revolver, (except M547) full or half-moon clips MUST be used to both position and extract such cartridges. Failure to use ammunition clips with rimless cartridges may result in malfunction of the revolver.
- Additional ammunition calibers can be fired from the following list of select calibers.

<u>Caliber on Barrel</u>	<u>Can also Fire</u>
.45 Colt	.45 Schofield, .45 S&W
.45 S&W	.45 Schofield
.44 Magnum	.44 Special
.357 Magnum	.38 Special, .38 Special +P
.22LR	.22L, .22 Short, .22CB, .22BB (in revolvers only)
10mm	.40 S&W (in revolvers only)

- In some cases, a round of ammunition not specified on your handgun may fit into the chamber or cylinder. Firing ammunition not specified on your handgun may cause it to rupture and cause serious injury or death.

AMMUNITION CONT'D.

E. AMMUNITION WARNINGS

- “Plus-P” (+P) ammunition generates pressures in excess of the pressures associated with standard ammunition. Such pressures may affect the wear characteristics or exceed the margin of safety built into some revolvers and could therefore be DANGEROUS.
- “Plus-P” ammunition should not be used in medium (K frame) revolvers manufactured prior to 1958. Such pre-1958 medium (K-frame) revolvers can be identified by the absence of a model number stamped inside the yoke cut of the frame. (i.e., the area of the frame exposed when the cylinder is in the open position, see Figure 2).
- “Plus-P-Plus (+P+)” marking on the ammunition merely designates that it exceeds established industry standards, but the designation does not represent defined pressure limits and therefore such ammunition may vary significantly as to the pressures generated.
- “Plus-P-Plus (+P+)” ammunition is not recommended for use in Smith & Wesson firearms.
- In the Model 940 revolver, some brands of 9mm parabellum ammunition may cause difficulty in extracting spent cartridge cases from the cylinder. If this situation occurs, thoroughly clean the cylinder charge holes with solvent. If this condition persists, we recommend changing to another brand of 9mm parabellum ammunition.
- Smith & Wesson has found wide variations in primer sensitivity between some brands and types of .22LR ammunition. Smith & Wesson recommends that before you put your .22LR handgun into regular use, that you fire several boxes of your choice of ammunition through it to determine reliability of ignition. If “failure to fire” occurs, try different types of brands of .22LR ammunition until a reliable loading is found.

MODEL NUMBER IDENTIFICATION

The serial number and the model number appear here on your pistol.



FIGURE 1

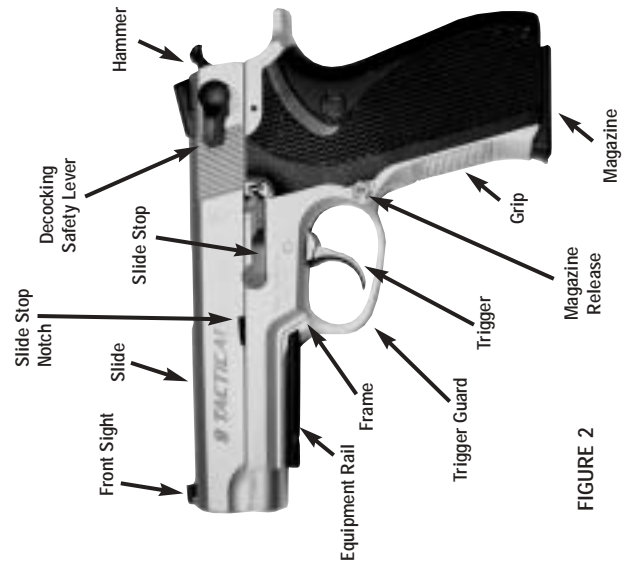
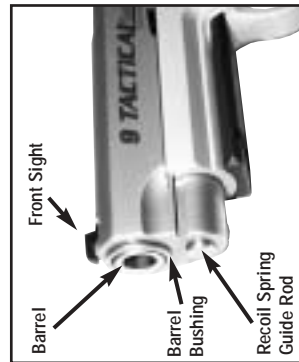
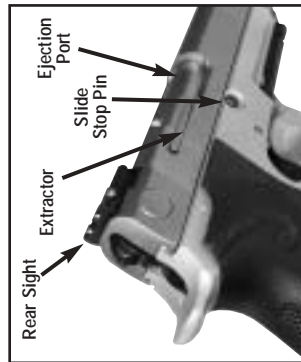


FIGURE 2

INSPECTING YOUR PISTOL

Traditional Single and Double Action Pistols

When you inspect your pistol, you should first check for yourself to insure that it is unloaded. To do this, grasp the pistol with your finger off the trigger and outside the trigger guard, point the muzzle in a safe direction, rotate the decocking lever fully down into the "safe" position as shown in Figure 4, depress the magazine release, and remove the magazine.



With the muzzle still pointing in a safe direction, grasp the serrated sides of the slide from the rear with the thumb and fingers as shown in Figure 5, and briskly draw the slide fully rearward in order to extract any cartridge from the barrel chamber and clear it from the pistol. Do not obstruct the ejection port because doing so can interfere with ejection of a cartridge and thereby creates the risk of exploding an unchambered cartridge and possible injury. In order to lock the slide in the open position, allow the slide to move slightly forward from the rearmost position while pressing upward on the slide stop.

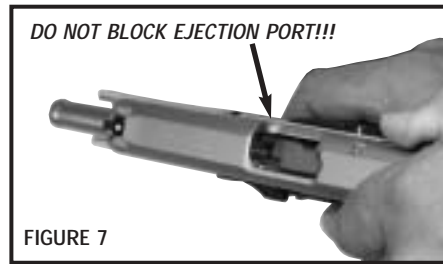
You are now able to safely check the barrel chamber and bore visually for any obstructions. You must follow this procedure every time your firearm is inspected, cleaned, handed to another person, transported or stored. Unload the magazine by holding it with the bullet end of the cartridge pointing away from you and others and pressing each cartridge forward and out of the magazine.



Familiarize yourself with the decocking lever on your autoloading pistol. When the decocking lever is fully up (parallel to the top of the slide) as shown in figure 6, it is in the "fire" position; when the decocking lever is fully down, as shown in Figure 4, it is in the "safe" position. Notice how the decocking lever looks and feels in each of the two positions of its extreme travel - fully up for "fire" and fully down for "safe". Your pistol may have a red dot which is totally visible when the decocking lever is in the "fire" position; however, do not rely on your inability to see a red dot as the only indication that the decocking safety lever is engaged.

Please be advised that other model or brand pistols may have a safety or decocking lever that operates differently.

INSPECTING YOUR PISTOL CONT'D.



DOUBLE ACTION ONLY PISTOLS

The Smith & Wesson “double action only” pistol does not have a decocking lever or manual safety. It does not require such a mechanism because the hammer does not remain in the single action (or fully-cocked) position when the slide is released after loading and because the hammer does not remain in the single action position after each shot.

The hammer of this pistol cannot be manually cocked before firing. The hammer is manufactured without a single action notch so that it cannot be placed manually into the single action position.

With a magazine fully inserted in the pistol and with a cartridge in the barrel chamber, this pistol can be fired simply by pulling the trigger fully to the rear (“double action”). This action of pulling the trigger moves the hammer rearward and then allows the hammer to fall forward firing the cartridge.

When you inspect your pistol, you should first check for yourself to ensure that it is unloaded. To do this, grasp the pistol with your finger off the trigger and outside the trigger guard and point the muzzle in a safe direction. Depress the magazine release, and remove the magazine. With the muzzle still pointing in a safe direction, grasp the serrated sides of the slide from the rear with the thumb and fingers as shown in Figure 5, and briskly draw the slide fully rearward in order to extract any cartridge from the barrel chamber and clear it from the pistol. Do not obstruct the ejection port because doing so can interfere with ejection of a cartridge and thereby creates the risk of exploding an unchambered cartridge and possible injury. (Figure 7) In order to lock the slide in the open position, allow the slide to move slightly forward from the rearmost position while pressing upward on the slide stop. You are now able to safely check the barrel chamber and bore visually for any obstructions.

You must follow this procedure every time your pistol is inspected, cleaned, handed to another person, transported or stored. Unload the magazine by holding it with the bullet end of the cartridge pointing away from you and pressing each cartridge forward and out of the magazine.

LOADING

TRADITIONAL DA/SA & DOUBLE ACTION ONLY

- Do not load the pistol until you are ready to use it. Keep your finger outside the trigger guard until you are ready to fire.

LOADING CONT'D.

Once the magazine is removed from the pistol and the trigger is fully released, subsequent cycling of the trigger will not fire the pistol until the magazine is fully reinserted. (This may not apply to certain pistols that have been marked "CAUTION - CAPABLE OF FIRING WITHOUT MAGAZINE")



WARNING: Some Smith & Wesson centerfire pistols are designed to disengage the trigger linkage, and thereby prevent the trigger from firing the pistol when the magazine is removed from the pistol. Be certain to fully release the trigger and remove your finger from within the trigger guard when the magazine is removed from the pistol. Failure to fully release the trigger could result in firing the handgun. After inserting a magazine, always test to make sure it is locked in place by applying some removal pressure to the exposed portion of the magazine butt plate.

- Only use Smith & Wesson magazines specifically manufactured for your particular model of pistol. Do not interchange magazines from one model pistol into another model pistol.
- Smith & Wesson has provided you with a magazine designed to operate in your specific model of pistol. While your magazine may be able to be inserted into another model pistol, it will only function properly in the specific model for which it was designed.
- Follow instructions in this manual and any other specific instructions which may be marked onto, or accompany, a magazine. Failure to use the particular type of Smith & Wesson magazine specified for your model and caliber of pistol may result in a malfunction.
- Load the magazine by pressing a cartridge head (rear of cartridge) downward on the forward portion of the magazine follower (or downward on the case of the previously loaded cartridge) and sliding the cartridge fully under the lips of the magazine until the cartridge head is against the rear wall of the magazine. Repeat the procedure for the number of cartridges you wish to load, up to the magazine capacity. Do not attempt to load your magazine with more than the specified number of cartridges because doing so can cause a feeding failure.
- Inspect your pistol as previously described in the "Inspecting Your Pistol" section. Hold the pistol in one hand with the muzzle pointing in a safe direction and with your finger off the trigger and outside the trigger guard. Insert the loaded magazine into the magazine well of the pistol until it is locked in place.



WARNING: Do not use excessive upward force when inserting a loaded magazine into the pistol. Excessive upward force could cause the slide to move forward, chambering a round and making the pistol ready to fire.

- To make sure that the magazine is fully and securely inserted, apply some removal pressure to the exposed portion of the magazine butt plate.
- Press down on the slide stop to release the slide and allow it to carry fully forward. This strips a cartridge from the magazine and seats it in the chamber of the barrel.

LOADING CONT'D.

CAUTION

The pistol can now be fired by pulling the trigger to the rear.

FOR TRADITIONAL DA/SA

- Rotate the decocking safety lever to the down (safe) position and leave it in that position.
- If you wish to restore the magazine in your pistol to its full capacity, depress the magazine release and remove the magazine from the pistol. Remember that there is a round in the chamber; therefore, the weapon should be holstered or safely secured during this process. Load one cartridge into the magazine to replace the one which was chambered when you allowed the slide to carry forward.
- Re-insert the loaded magazine into the magazine well of the pistol until it is locked in place. To make sure that the magazine is again fully and securely inserted, apply some removal pressure to the exposed portion of the magazine butt plate.
- Your pistol is now fully loaded. The hammer is down and resting against the decocking safety lever body, the trigger is forward and the firing mechanism is disengaged. Your pistol is now in a safe condition to be holstered and carried. Never holster, carry or store your pistol with the hammer cocked. Remember to keep your pistol pointed in a safe direction under all conditions and always keep your finger or any other object off the trigger and outside the trigger guard until you have made the commitment to fire the handgun. Never leave a loaded firearm unattended.

NOTE: *Certain specially manufactured Law Enforcement products may have a safety or a safety decocking lever which will lower the hammer and then automatically return to the fire position.*

FOR DOUBLE ACTION ONLY

- If you wish to restore the magazine in your pistol to its full capacity, depress the magazine release and remove the magazine from the pistol. Remember that there is a round in the chamber; therefore, the weapon should be holstered or safely secured during this process and the trigger should never be moved. Load one cartridge into the magazine to replace the one which was chambered when you allowed the slide to carry forward.
- Re-insert the loaded magazine into the magazine well of the pistol until it is locked in place. To make sure that the magazine is again fully and securely inserted, apply some removal pressure to the exposed portion of the magazine butt plate.
- Your pistol is now fully loaded. The hammer is in the down position and the trigger is forward. Your pistol is ready to be holstered and carried and will fire when the trigger is pulled. Remember to keep your pistol pointed in a safe direction under all conditions and always keep your finger or any other object off the trigger and outside the trigger guard until you have made the commitment to fire the handgun. Never leave a loaded firearm unattended.

LOADING CONT'D.



WARNING:

ALL Traditional SA/DA pistols with model designations called out by 3 or more digits, i.e. 410, 411, 5906, 4506TSW, etc. are manufactured with an automatic firing pin block. The automatic firing pin block prevents the firing pin from moving forward and firing a chambered cartridge unless the trigger is held fully rearward. Loaded Smith & Wesson Pistols, Model 39, 52, 59, Super 9, 4006 S/A, 5906 S/A, 745 and some 945's have inertial firing pins without an automatic firing safety plungers. If the decocking safety lever is in the fire position, the pistol will fire when subjected to a sufficient impact.

THEREFORE, IT IS ABSOLUTELY ESSENTIAL THAT THE DECOCKING SAFETY LEVER OF ANY LOADED MODEL 39, 52, 59, SUPER 9 4006 S/A, 5906 S/A, 745 AND SOME 945'S BE KEPT IN THE "SAFE" POSITION UNTIL YOU HAVE MADE THE COMMITMENT TO FIRE THE HANDGUN. ALSO, REMEMBER THAT PULLING THE TRIGGER WITH THE DECOCKING SAFETY LEVER IN THE "FIRE" POSITION WILL FIRE A LOADED PISTOL.

FIRING



WARNING: During firing, always keep the barrel pointed in a safe direction.



WARNING: Upon firing the pistol or releasing the slide from the slide stop, the slide moves rearward or forward with significant force and speed. To avoid injury be sure no part of your body is in the path of the slide's travel.



WARNING: Single action firing requires significantly less pressure on the trigger and reduced trigger travel than double action firing.

- With the muzzle pointed in a safe direction and your finger outside the trigger guard, rotate the decocking safety lever fully up into the "fire" position. Except for the Models 52, 745, 845, 5906S/A, 4006 S/A and Super 9 which can only be fired single action, the first shot from an uncocked center fire pistol will be fired in the double-action mode.
- As the trigger is drawn fully to the rear, the hammer moves rearward and is released to strike the firing pin. Upon firing, the slide moves rearward thereby extracting and ejecting the spent cartridge case and rotating the hammer to the fully-cocked position.
- The slide then returns forward feeding the next cartridge from the magazine to the barrel chamber. The hammer remains in cocked position and the trigger is in the rearward position so that subsequent shots will be fired in the single action mode. This sequence can be repeated until the last round has been fired at which time the magazine follower exerts upward pressure on the slide stop causing it to engage the slide and hold it in the "open" position.

FIRING CONT'D.

DOUBLE ACTION ONLY

- Keep the muzzle pointed in a safe direction and your finger outside the trigger guard until you are ready to fire. Each shot will be fired in the double action mode. While holding the grip firmly, pull the trigger fully to the rear. As the trigger is drawn fully to the rear, the hammer moves rearward and is released to strike the firing pin. Upon firing the slide moves rearward thereby extracting and ejecting the spent cartridge case. The slide then returns forward feeding the next cartridge from the magazine into the barrel chamber.
- After firing you must allow the trigger to move forward fully before you can fire another shot. Failure to do so will prevent the lockwork from fully cycling and will prevent your being able to fire the next shot. Keep your finger off the trigger and outside the trigger guard until you are ready to fire again. This sequence can be repeated until the last round has been fired, at which time the magazine follower exerts upward pressure on the slide stop causing it to engage the slide and to hold it in the "open" position.

MANUAL COCKING

- On a pistol with an exposed hammer spur, the first shot may be fired in the single action mode when so desired. You can prepare your pistol for single action firing by pointing the muzzle in a safe direction, removing your finger from the trigger, rotating the decocking safety lever fully up into the "fire" position, and pulling the hammer rearward until it locks into the fully-cocked position.

DECOCKING

- If you decide not to fire after you have manually cocked the hammer or if you decide to suspend firing, keep the pistol pointed in a safe direction, remove your finger from within the trigger guard, and rotate the decocking lever fully down into the "safe" position. This action will decock the hammer allowing it to fall against the decocking safety body and will release the trigger to its forward position. The pistol may now be holstered and carried safely. This does not apply to those handguns listed in red on page 18.

CLEARING MISFIRES

DOUBLE ACTION ONLY

- If, during firing, a cartridge fails to fire, the chamber must be manually cleared. Wait ten seconds while keeping the muzzle pointed in a safe direction. Grasp the serrated sides of the slide from the rear and briskly pull the slide fully rearward to eject the misfired round. Keep your finger off of the trigger and out of the trigger guard. Do not obstruct the ejection port, and do not attempt to catch the round by placing your hand over the ejection port. (See figure 7) Also, remember that any time you release the slide while a magazine containing cartridges is in the pistol, you will have reloaded the chamber.

CLEARING MISFIRES

TRADITIONAL DA/SA

- If, during firing a cartridge fails to fire, the pistol will remain in the double action mode. If the situation permits, the trigger may be pulled once or twice more. If ignition still fails, the chamber must be manually cleared. Rotate the decocking safety lever fully down into the "safe" position and wait ten seconds while keeping the muzzle pointed in a safe direction. Grasp the serrated sides of the slide from the rear and briskly pull the slide fully rearward to eject the misfired round. Do not obstruct the ejection port, and do not attempt to catch the round by placing your hand over the ejection port. (See figure 7) (Also, remember that any time you release the slide while a magazine containing cartridges is in the pistol, you will have reloaded the chamber.)



PRODUCT WARNING

All Smith & Wesson Handguns Capable of Double Action Firing

- It has come to our attention that some users of Smith & Wesson handguns capable of firing in double action mode may stage the trigger in anticipation of firing a shot in the double action mode. Staging is the act of pulling the trigger rearward toward — but just short of — the point where the hammer falls and the handgun fires. Such manipulation of the trigger can reduce the user's control of the handgun and can result in an unintentional discharge. Furthermore if the user decides not to fire, release of the trigger from a position close to the firing point in the staging process could result in a discharge.
- Obviously "staging" the trigger violates a basic rule of firearm safety which warns you to keep your finger off the trigger and outside the trigger guard until ready to fire.
- We warn all users of our handguns capable of firing in double action to refrain from "staging" the trigger.

UNLOADING

- Point the muzzle in a safe direction. Make sure your finger is off the trigger, and the trigger is in the "at rest" or forward position. Depress the magazine release, and remove the magazine.
- With the muzzle still pointing in a safe direction, and with your finger off the trigger and outside the trigger guard, grasp the serrated sides of the slide from the rear with the thumb and fingers, and briskly draw the slide fully rearward in order to extract any cartridge from the barrel chamber and clear it from the pistol.

UNLOADING CONT'D.

- Do not obstruct the ejection port because doing so can interfere with ejection of a cartridge and thereby creates the risk of exploding an unchambered cartridge and possible injury. (See figure 7) Visually check the barrel chamber to be sure it is empty.
- Unload the magazine by holding it with the bullet end of the cartridge pointing away from you and pressing each cartridge forward and out of the magazine.

SIGHT ADJUSTMENT

- Certain model Smith & Wesson Pistols are equipped with a **Fixed Rear Sight** that is adjustable for windage only. To adjust, move the Rear Sight in the direction you wish the group to move on the target. For example, if the group should move to the right, move the Rear Sight to the right. Use a brass or plastic drift or punch to prevent marring the Rear Sight. If the Rear Sight has a set screw, loosen the set screw prior to moving the Rear Sight. Tighten the set screw after the sight has been adjusted to the desired position.
- Certain model Smith & Wesson Pistols are equipped with a **screw type rear sight** adjustable for elevation and windage.

ADJUSTING FOR ELEVATION

Rotate the Adjusting Screw installed on the top of the Rear Sight body clockwise to lower the Rear Sight or counterclockwise to raise the Rear Sight. (Raising Rear Sight will raise the group, etc.)

ADJUSTING FOR WINDAGE

Rotate the Adjusting Screw installed in the right side of Rear Sight body clockwise to move the Rear Sight Blade to the right or counterclockwise to move it to the left. (Moving Rear Sight to the right will move the group to the right, etc.)

FIELD STRIPPING DISASSEMBLY



WARNING: Wear safety glasses every time you assemble or disassemble your firearm.

- Remove the magazine by depressing the magazine release button, clear the chamber and verify it is empty. Firmly grasp the frame and slide with the left hand as shown in Figure 8. Apply backwards pressure on the slide and move it back until the slide stop notch in the left side of the slide is aligned with the forward, rounded portion of the slide stop as shown in Figure 9. Press inward on the slide stop pin from the opposite side of the frame and remove the slide stop. (Figure 10)

FIELD STRIPPING DISASSEMBLY CONT'D.



WARNING: The recoil spring is under pressure. Control the recoil spring and the guide so that they do not fly out and cause injury.

- Allow the slide to move forward until it is aligned with the frame in its normal closed position. *The hammer will fall as the slide moves forward. Pull the slide forward off the frame while grasping the recoil spring assembly and slide together as shown in Figure 11. Remove the recoil spring assembly by depressing the spring slightly and releasing it carefully from the small radial undercut in the barrel lug. Figure 12 shows the parts you will have after field stripping.

NOTE:

No further disassembly is recommended, as the pistol may be properly cleaned and lubricated when field-stripped as described above.

* SA/DA Pistols Only



FIGURE 8

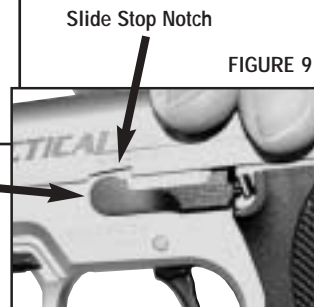


FIGURE 9



FIGURE 10

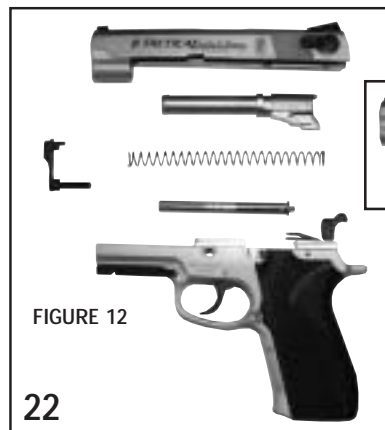


FIGURE 12



FIGURE 11

FIELD STRIPPING REASSEMBLY

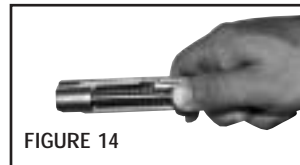
- With the rear of the slide pointed in a safe direction and the bottom of the slide turned up, replace the barrel in the slide so the muzzle is flush with the end of the slide and the barrel lug is turned up (away from the ejection port). Replace the recoil spring on the recoil spring guide. Insert the spring end of the recoil spring guide assembly in the guide housing. Grasp the recoil spring guide bushing and pull it toward you enough so the bushing can be securely engaged in the small radial machine cut in the barrel lug. Be careful that it does not become disengaged, fly out and cause injury. Make sure it is properly centered in the cut as it will protrude from the slide after assembly if it is not centered. (See Figures 13 & 14)

DOUBLE ACTION ONLY

- Holding the slide and recoil spring guide firmly in one hand, move the rear of the slide onto the frame rails. Continue moving the slide onto the frame by depressing the ejector and firing pin safety levers down into their respective frame slots (See Figure 15). Position the slide so that the slide stop notch on the slide is aligned with the slide stop hole in the frame. Insert the slide stop and allow the slide to return to the "in battery" position. Reinsert the magazine.

TRADITIONAL DA/SA ONLY

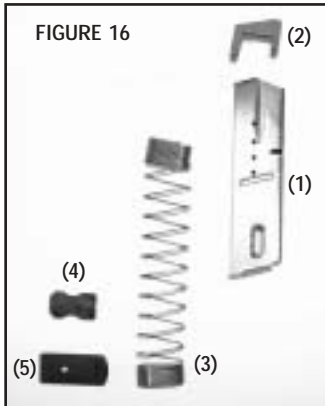
- With the hammer in the full-up position and holding the slide and recoil spring guide firmly in one hand, move the rear of the slide onto the frame rails. Continue moving the slide onto the frame by depressing the ejector, sear release and firing pin safety levers down into their respective frame slots. Position the slide so that the slide stop notch on the slide is aligned with the slide stop hole on the frame. Insert the slide stop and allow the slide to return to the "in battery" position. Move the decocking safety lever down to the safe position. Reinsert the magazine.



MAGAZINE DISASSEMBLY

DISASSEMBLY (see Figure 16)

1. Using a drift punch, depress floorplate catch (4) through hole in magazine floorplate (5).
2. Slide magazine floorplate (5) out of magazine tube (1) while holding floorplate catch (4) in the magazine tube (1).
3. Remove floorplate catch (4) and magazine spring (3) out through bottom of magazine tube (1).
4. Turn magazine tube (1) right side up and remove magazine follower (2) through bottom of magazine tube (1).



MAGAZINE ASSEMBLY

ASSEMBLY (see Figure 16)

1. Install magazine follower (2) in bottom of the magazine tube (1) with the notched edges of the magazine follower (2) toward the round side of the magazine tube (1).
2. Install magazine spring (3) and floorplate catch (4) in magazine tube (1).
3. While holding floorplate catch (4) in magazine tube (1), slide magazine floorplate (5) into magazine tube (1) so that the round projection of the floorplate catch (4) engages the magazine floorplate (5).

CLEANING AND MAINTENANCE



Ensure your firearm is unloaded before beginning to clean it. At all times follow the basic rules of safe gun handling.

Your firearm is a precision instrument. To insure reliable function it is necessary to follow a routine maintenance procedure. After firing your handgun, be sure to unload it following the procedure outlined in the section entitled "Unloading" on page 21 before performing any cleaning or maintenance procedure.

CLEANING AND MAINTENANCE CONT'D.

Your handgun should be cleaned by brushing the barrel bore and chamber (charge holes) with a good powder-removing solvent and bore brush. Wipe the areas clean with patches or a swab. Using a small brush dipped in solvent, remove all deposits from around the breech of the barrel, chamber (charge holes), extractor and adjacent areas which have been subjected to the action of powder or primer residue. Remove any residue on the frame with light brushing and a solvent. After cleaning the entire gun, use a cloth to apply a light film of high quality gun oil to all external metal surfaces and wipe clean.

CAUTION:

You must follow the instructions provided with your gun cleaner and gun lubricant. Some cleaners can cause damage to your handguns.

CAUTION:

You should avoid prolonged solvent immersion and prolonged ultrasonic cleaning of your firearm. Choice of solvent should be restricted to those products specifically developed for firearms maintenance. Instances of damage to a firearm's finish have been recorded when these cautions have been ignored. Ammoniated solvents or other strong alkaline solvents, should not be used on any Smith & Wesson firearm. As a rule of thumb, if you would be comfortable applying the solvent of your choice to the finish of your automobile, it will probably be safe for use on your firearm.

After the initial cleaning, there is usually some residue in both the barrel and cylinder that works out and becomes apparent within 24-48 hours. This can be removed with a bristle brush and a light re-application of powder removing solvent after which the oil film should be re-established on all surfaces.

Cleaning is considered essential in order to ensure the proper functioning of your handgun.

For additional maintenance, we recommend the services of a qualified gunsmith. Please refer to the section entitled "Service". If your firearm will be used or stored in a cold climate, be sure to use an oil that will not thicken at low temperatures.

SERVICE, SHIPPING & PARTS

For Owners Within The United States

SERVICE

Customer Service 2100 Roosevelt Avenue Springfield, MA 01104 Tel: 800-331-0852 • 413-781-8300 E-mail: qa@smith-wesson.com

SERVICE, SHIPPING, & PARTS CONT'D.

Should your Smith & Wesson firearm require service, it should be returned to Smith & Wesson in its original case or in a similarly secure container. It is not necessary to take the gun to a dealer for shipment. However, before shipping your firearm, call or e-mail our Customer Service Dept. for authorization and shipping instructions.

Before shipping your handgun, ensure that the firearm is unloaded, package it securely, and do **NOT** ship any ammunition. The package must **NOT** bear any markings which indicate the identity of the contents. Enclose a letter which includes your full name and address (no P.O. Boxes, please), daytime telephone number, e-mail address, the serial number of the firearm, and details of the problem experienced or work desired. Record the serial number before shipping, in case you wish to check on the repair status of your firearm.

SHIPPING

When shipping a firearm, it is most important that you comply with federal, state, and local laws and regulations. The following guidelines are meant to help, but you must seek assistance from the appropriate authorities if necessary.

- Check magazines and chambers to ensure that they are unloaded. Do not ship ammunition.
- **Do not attempt to ship a handgun via US Mail; only federally licensed dealers may ship a firearm by US Mail.**
- If your firearm must be replaced, it may be necessary to ship the replacement to a dealer rather than directly to you. You will be requested to furnish a signed FFL (Federal Firearms License) from your dealer in such an instance.
- When returning a pistol, please include all magazines ensuring they are unloaded; they are important to the proper function of the handgun.

Ship Centerfire pistols and ALL revolvers to:

Customer Service, 2100 Roosevelt Avenue, Springfield, MA 01104

Ship ALL .22 caliber pistols to:

Customer Service, 19 Aviation Drive, Houlton, ME 04730

Please call the above telephone number or e-mail the above address before shipping!!

Since we cannot assume responsibility for custom parts and accessories, such as stocks, special sights, or holsters, please remove these items before returning your firearm.

Warranty repair work will begin upon receipt and examination of the firearm. In the case of repairs or work not covered by the warranty, a quotation covering the cost of the work plus round trip transportation charges will be sent to you. Repairs or modification will begin upon receipt of payment.

ACCESSORIES & PARTS

Replacement parts and accessories for your Smith & Wesson firearm are available from your local Smith & Wesson Stocking Dealer, or directly from the Smith & Wesson Parts Department.

SERVICE, SHIPPING, & PARTS CONT'D.

ACCESSORIES & PARTS

When ordering parts directly from the factory, please provide the following information:

- Model Number
- Dash Number
- Serial Number
- Approximate date of purchase
- Part view Number (refer to diagram)
- Complete Return Address
- VISA/Discover/MasterCard Number and Expiration Date
- For Foreign Orders Only, Fax Number or E-mail Address

Installation of all replacement parts must be performed by a trained gunsmith only.

WARRANTY

For Owners Within The United States

This warranty is granted by Smith & Wesson, 2100 Roosevelt Avenue, Springfield, MA 01102-2208. This warranty is effective from the date of purchase after February 1, 1989 and applies to the original owner of any handgun purchased after that date. With respect to such handguns, this warranty supersedes any and all other warranties.

Smith & Wesson handguns are warranted to be free from defects in material and workmanship. Any such defects of which Smith & Wesson receives written notice within one year from the date of purchase by the original owner, will be remedied by Smith & Wesson without charge within a reasonable time after such notification and delivery of the handgun as provided below. If any unsafe and/or illegal condition is found during warranty inspection, Smith & Wesson will return the handgun to its original specification.

Warranty claims (in writing) and the handgun concerned should be delivered to Smith & Wesson's Customer Service Department at the above address. In addition, a copy of the bill of sale in the owner's name, or a copy of ATF Form 4473 indicating date of purchase must be included.

Warranty claims should state the model and serial number of the handgun concerned and the description of the difficulty experienced. It is recommended that shipments be insured by the owner, since Smith & Wesson will accept no responsibility for loss or damage in transit. Transportation and insurance charges for return to owner will be paid by Smith & Wesson if the claim is covered by the warranty.

UNDER NO CIRCUMSTANCES SHALL SMITH & WESSON BE RESPONSIBLE FOR INCIDENTAL OR CONSEQUENTIAL DAMAGES WITH RESPECT TO ECONOMIC LOSS, INJURY OR PROPERTY DAMAGE, WHETHER AS A RESULT OF BREACH OF EXPRESS OR IMPLIED WARRANTY, NEGLIGENCE OR OTHERWISE.

WARRANTY CONT'D.

Some states do not allow the exclusion or limitation of incidental or consequential damages, so the above limitation or exclusion may not apply to you in whole or in part.

Smith & Wesson will not be responsible for defects resulting from careless handling, unauthorized adjustments or modifications, defective or improper ammunition, corrosion, neglect, abuse, ordinary wear and tear, or unreasonable use.

Smith & Wesson reserves the right to determine what constitutes ordinary wear and tear. However, we can rebuild handguns that have experienced extreme usage or are beyond their normal useful life at a fee that will be quoted to the owner.

This warranty gives you specific legal rights. You may also have other rights that vary from state to state.

EXTENDED SERVICE POLICY

For Owners Within The United States

Even after the warranty period has expired, Smith & Wesson will repair, without charge, any handgun purchased by the original owner on or after February 1, 1989 that is found to have defect in material or workmanship. Eligibility for this extended service policy requires returning the Product Registration Card within thirty days of purchase. A copy of the bill of sale in the owner's name and the sales receipt should accompany the handgun.

If any unsafe and/or illegal condition is found during warranty inspection, Smith & Wesson will return the handgun to its original specification.

This policy covers functional defects; it does not include the handgun's finish, grips, magazines or sights.

This policy is in addition to and not an extension of the Smith & Wesson Warranty.

Lifetime Service Policy

Fast Reliable Service

If you have any questions or concerns regarding your Smith & Wesson product, please give us a call. Our customer service representatives are product knowledgeable and are here to help you.

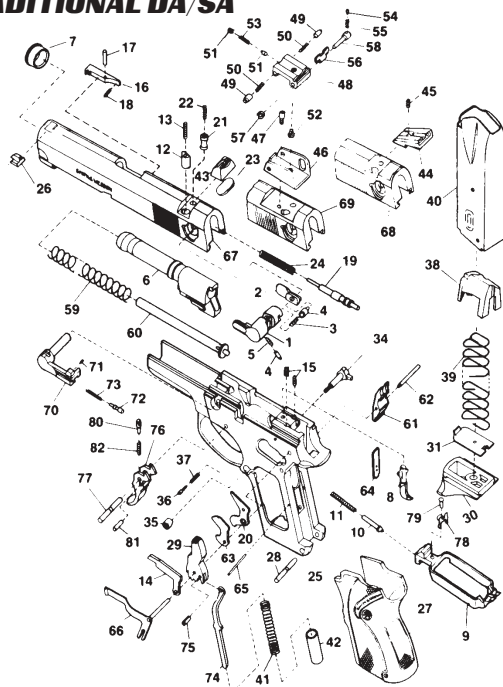
911 Priority Repair Service

In the event of an emergency (repairs needed by law enforcement, an upcoming match or hunting trip), call 1-800-331-0852 and ask for 911 Priority Repair Service. This allows you to speak with a Smith & Wesson representative. Immediately upon receipt, your handgun will be assigned to a gunsmith. After the work is completed, we will return your Smith & Wesson handgun via

28 overnight delivery.

COMPONENT PARTS

TRADITIONAL DA/SA

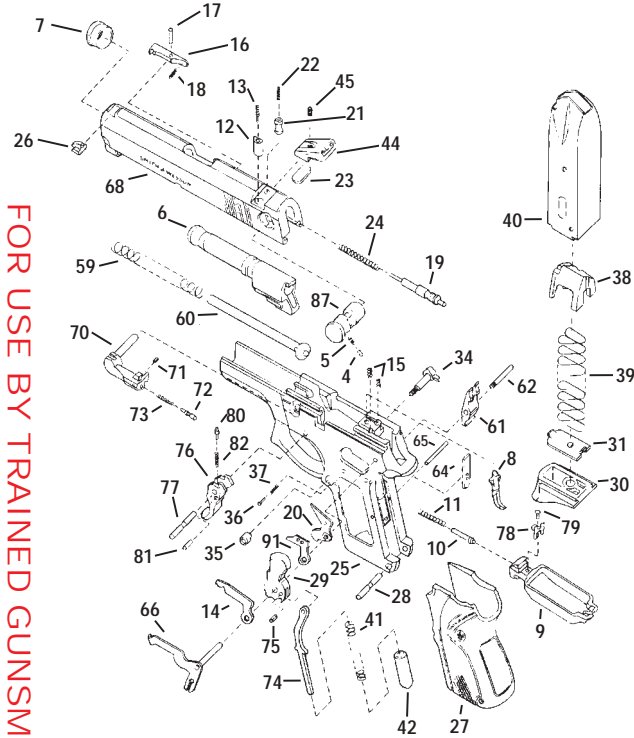


- | | |
|--|---|
| 1. Ambidextrous Decocking Safety | 46. Rear Sight Base |
| 2. Ambi. Decocking Safety Lever | 47. Rear Sight Base Screw |
| 3. Ambi. Decock. Saf. Lever Detent Spring | 48. Rear Sight Body |
| 4. Ambi. Decocking Saf. Lever Plunger | 49. Rear Sight Body Plunger |
| 5. Ambi. Decock. Saf. Lever Plunger Spring | 50. Rear Sight Body Plunger Spring |
| 6. Barrel | 51. Rear Sight Elevation Plunger |
| 7. Barrel Bushing | 52. Rear Sight Elevation Screw |
| 8. Disconnecter | 53. Rear Sight Elevation Spring |
| 9. Drawbar | 54. Rear Sight Plunger |
| 10. Drawbar Plunger | 55. Rear Sight Plunger Spring |
| 11. Drawbar Plunger Spring | 56. Rear Sight Slide |
| 12. Ejector Depressor Plunger | 57. Rear Sight Windage Nut |
| 13. Ejector Depressor Plunger Spring | 58. Rear Sight Windage Screw |
| 14. Ejector Magazine Depressor | 59. Recoil Spring |
| 15. Ejector Spring | 60. Recoil Spring Guide Assembly, Recoil Spring Guide, Recoil Spring Guide Bushing, Recoil Spring Guide Plunger, Recoil Spring Guide Plunger Spring |
| 16. Extractor | 61. Sear |
| 17. Extractor Pin | 62. Sear Pin |
| 18. Extractor Spring | 63. Sear Release Lever |
| 19. Firing Pin | 64. Sear Spring |
| 20. Firing Pin Safety Lever | 65. Sear Spring Retainer Pin |
| 21. Firing Pin Safety Lever Plunger | 66. Sideplate Assembly, Sideplate, Slide Assembly |
| 22. Firing Pin Safety Lever Spring | 67. Slide (Fixed), Slide Assembly (Adj.) |
| 23. Firing Pin Saf. Lever Spring Retainer | 68. Slide Assembly (Extended Fixed) |
| 24. Firing Pin Spring | 69. Slide (Adj. Sight) |
| 25. Frame Assembly | 70. Slide Stop |
| 26. Front Sight | 71. Slide Stop Pin |
| 27. Grip | 72. Slide Stop Plunger |
| 28. Grip Pin / Hammer Assembly | 73. Slide Stop Plunger Spring |
| 29. Hammer / Hammer Pin | 74. Stirrup |
| 30. Magazine Butt Plate | 75. Stirrup Pin, Trigger Assembly |
| 31. Magazine Butt Plate Catch Assembly | 76. Trigger |
| 34. Magazine Catch (Right Hand) | 77. Trigger Pin |
| 35. Magazine Catch Nut | 78. Trigger Play Spring |
| 36. Magazine Catch Plunger | 79. Trigger Play Spring Rivet |
| 37. Magazine Catch Spring | 80. Trigger Plunger |
| 38. Magazine Follower | 81. Trigger Plunger Pin |
| 39. Magazine Spring | 82. Trigger Plunger Spring |
| 40. Magazine Tube | |
| 41. Mainspring | |
| 42. Mainspring Plunger | |
| 43. Rear Sight | |
| 44. Rear Sight (extended fixed) | |
| 45. Rear Sight Set | |

FOR USE BY TRAINED GUNSMITHS ONLY

COMPONENT PARTS

Double Action Only



FOR USE BY TRAINED GUNSMITHS ONLY

- | | |
|---|----------------------------------|
| 4. Retainer Safety Plunger | 38. Magazine Follower |
| 5. Retainer Plunger Spring | 39. Magazine Spring |
| 6. Barrel | 40. Magazine Tube |
| 7. Barrel Bushing | 41. Mainspring |
| 8. Disconnect | 42. Mainspring Plunger |
| 9. Drawbar | 44. Rear Sight |
| 10. Drawbar Plunger | 45. Rear Sight Set Screw |
| 11. Drawbar Plunger Spring | 59. Recoil Spring |
| 12. Ejector Depressor Plunger | 60. Recoil Spring Guide Assembly |
| 13. Ejector Depressor Plunger Spring | 61. Sear |
| 14. Ejector Magazine Depressor | 62. Sear Pin |
| 15. Ejector Spring | 63. Sear Release Lever |
| 16. Extractor | 64. Sear Spring |
| 17. Extractor Pin | 65. Sear Spring Retainer Pin |
| 18. Extractor Spring | 66. Sideplate Assembly |
| 19. Firing Pin | 68. Slide |
| 20. Firing Pin Safety Lever | 70. Slide Stop |
| 21. Firing Pin Safety Lever Plunger | 71. Slide Stop Pin |
| 22. Firing Pin Safety Lever Spring | 72. Slide Stop Plunger |
| 23. Firing Pin Safety Lever Spring Retainer | 73. Slide Stop Plunger Spring |
| 24. Firing Pin Spring | 74. Stirrup |
| 25. Frame Assembly | 75. Stirrup Pin |
| 26. Front Sight | 76. Trigger Assembly |
| 27. Grip | 77. Trigger Pin |
| 28. Grip Pin | 78. Trigger Play Spring |
| 29. Hammer Assembly | 79. Trigger Play Spring Rivet |
| 30. Magazine Butt Plate | 80. Trigger Plunger |
| 31. Magazine Butt Plate Catch Assembly | 81. Trigger Plunger Pin |
| 34. Magazine Catch | 82. Trigger Plunger Spring |
| 35. Magazine Catch Nut | 87. Firing Pin Retainer |
| 36. Magazine Catch Plunger | 91. Firing Pin Retainer Spacer |
| 37. Magazine Catch Spring | |

This schematic diagram and part description conforms to current specifications. From time to time, changes may be made, and the gun which you own may not correspond exactly with the information provided on this sheet.

This handgun is not equipped with a device that fully blocks use by unauthorized users. More than 200,000 firearms like this one are stolen from their owners every year in the United States. In addition, there are more than a thousand suicides each year by younger children and teenagers who get access to firearms. Hundreds more die from accidental discharge. It is likely that many more children sustain serious wounds or inflict such wounds accidentally on others. In order to limit the chance of such misuse, it is imperative that you keep this weapon locked in a secure place and take other steps necessary to limit the possibility of theft or accident. Failure to take reasonable preventative steps may result in innocent lives being lost, and in some circumstances may result in your liability for these deaths.

The certification below is required only for handguns sold in the United States with a barrel length shorter than 3".
Smith & Wesson Corp. hereby certifies average accuracy test results for all new handguns with a barrel shorter than 3" as follows:

7 yards	14 yards	21 yards
1.7"	3.9"	6.3"

This certification is based on tests conducted by Smith & Wesson Corp. using a fixed handgun, rest and firing ammunition manufactured by a member of the Shooting Arms and Ammunition Manufacturers Institute (SAAMI) as defined in ANSI/SAAMI Z299.3-1993.

This certification represents actual tests based on several handguns, selected at random. Your particular handgun may have accuracy better than the results stated in this certification.

Smith & Wesson
2100 Roosevelt Avenue • Springfield, MA 01104
www.smith-wesson.com

REV:PSTL071701