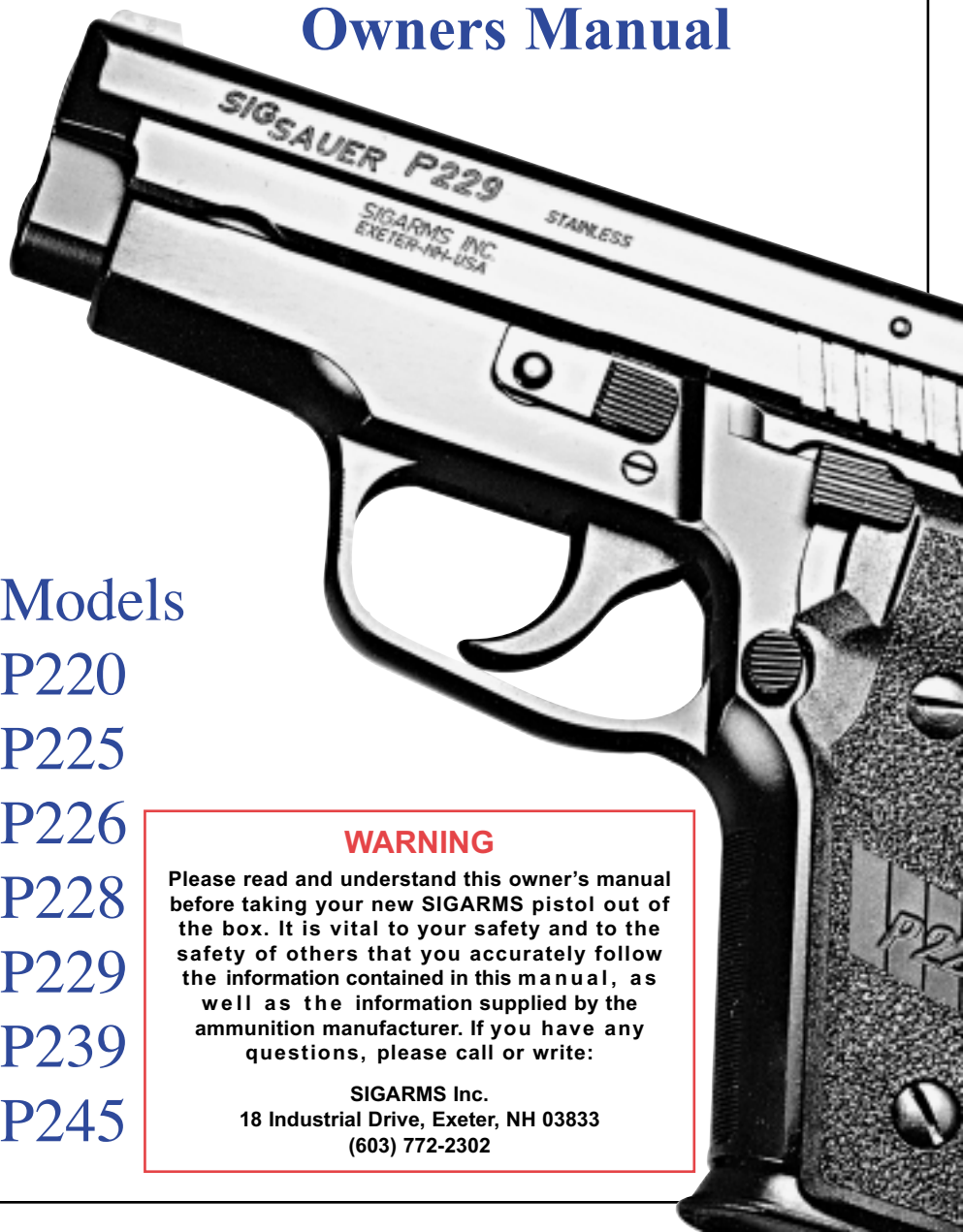


SIGARMS®

SIG SAUER PISTOL Owners Manual



Models

P220

P225

P226

P228

P229

P239

P245

WARNING

Please read and understand this owner's manual before taking your new SIGARMS pistol out of the box. It is vital to your safety and to the safety of others that you accurately follow the information contained in this manual, as well as the information supplied by the ammunition manufacturer. If you have any questions, please call or write:

SIGARMS Inc.
18 Industrial Drive, Exeter, NH 03833
(603) 772-2302

Contents

Page

Introduction	3
Safety Information	4
General Description	4
Safety and Safety Mechanism	5
Principal Features	6
Ammunition	7
Firearms Handling	8
Troubleshooting	9
Troubleshooting Guide	10
Field Stripping	11 & 12
Assembly	13
Care of the Pistol	14
Transportation, Storage and Returns	15
Sight Adjustments and Options	16
Ordering Parts, Inspection and Maintenance	17
Warranty Statement and Service Policy	18
Specifications:	
P220 & P245	19
P225	20
P226	21
P228	22
P229	23
P239	24
Parts Diagram - P220 & P245	26
Parts List - P220 & P245	27
Parts Diagram - P225	28
Parts List - P225	29
Parts Diagram - P228 and P226 (sheet metal slide)	30
Parts List - P228 and P226 (sheet metal slide)	31
Parts Diagram - P229 and P226 (SS Slide)	32
Parts List - P229 and P226 (SS Slide)	33
Parts Diagram - P239	34
Parts List - P239	35

Congratulations

You are now the owner of one of the world's finest and most superbly engineered firearms. The SIG SAUER® Semiautomatic Pistol has been designed and crafted to meet the stringent requirements of law enforcement agencies and the military. Used with the proper ammunition and given reasonable maintenance, it will serve you dependably and well for many years.

To make sure you get the best performance and reliability from your pistol, **please read and follow the procedures outlined in this manual.** You'll notice that we place a heavy emphasis on safe firearms handling. Like any other mechanical devices, such as automobiles or power tools, high quality firearms are inherently safe unless they are handled in a careless or irresponsible manner. Always remember that you, the owner, are the ultimate firearms safety device.

**You should become familiar with your pistol and its operation before using any live ammunition or actual shooting.
Study the instructions carefully and make sure you understand the pistol's operating guidelines.**

This manual includes information you need to know in order to use your pistol safely and effectively. If you have any questions or comments about this pistol and its use and maintenance, or need more information about other SIGARMS products and accessories, please write or call:

**SIGARMS Inc.
Customer Service Department
18 Industrial Drive
Exeter, NH 03833
Phone: 603-772-2302 Fax: 603-772-9082**

California Proposition 65 Warning

“Discharging firearms in poorly ventilated areas, cleaning firearms, or handling ammunition may result in exposure to lead and other substances known to cause birth defects, reproductive harm, and other serious physical injury. Have adequate ventilation at all times. Wash hands thoroughly after exposure.”

Safety Information

Before you take your new SIG SAUER pistol out of the box, please read the following information. It is vital to your safety and the safety of others.

Firearms safety is your responsibility

PISTOLS are classified as FIREARMS and are sold by us with the specific understanding that we are not responsible in any manner whatsoever for their safe handling or resale under local laws and regulations. SIGARMS Inc. shall not be responsible in any manner whatsoever for malfunctioning of the firearm, for physical injury or for property damage resulting in whole or in part from (1) criminal or negligent discharge, (2) improper or careless handling, (3) unauthorized modifications, (4) defective, improper, hand-loaded, or re-loaded ammunition, (5) corrosion, (6) neglect, or (7) other influences beyond our direct and immediate control. This limitation applies regardless of whether liability is asserted on the basis of contract, negligence or strict liability (including any failure to warn). Under no circumstances shall SIGARMS Inc. be liable for incidental or consequential damages, such as loss of use of property, commercial loss and loss of earnings or profits.

**IMPORTANT
THE SAFEST PISTOL IS ONE THAT IS FULLY
UNLOADED.**

General Description

The SIG SAUER Semiautomatic Pistol has been designed specifically to meet the stringent requirements of military and law enforcement agencies. Manufactured by advanced state-of-the-art production processes, the SIG SAUER is a mechanically locked, short recoil operated pistol featuring an automatic firing pin safety lock, double-action/single-action trigger, decocking lever and external slide catch lever. Firing takes place with each pull of the trigger until the magazine is empty. The slide stays open after you've fired the last shot.

The Ten Commandments of Firearms Safety

1. ALWAYS treat every gun as if it were loaded.
2. ALWAYS keep the gun pointed in a safe direction.
3. ALWAYS keep your finger off the trigger until ready to shoot.
4. ALWAYS keep the gun unloaded until ready to use.
5. ALWAYS be sure the gun is safe to operate and the barrel is clear of any obstruction.
6. ALWAYS use the proper, factory-made ammunition for your particular gun.
7. ALWAYS know your target and what is beyond it.
8. ALWAYS wear ear and eye protection when shooting.
9. NEVER use alcohol or drugs before or during handling a gun.
10. ALWAYS store guns and ammunition in separate locked containers, so they are secure and not accessible to unauthorized persons.

BECOME FAMILIAR WITH YOUR PISTOL, UNDERSTAND THE INSTRUCTIONS FULLY BEFORE USING IT.

What you should know about all safety mechanisms

NEVER completely trust any safety mechanism. Your pistol is equipped with an effective, well designed safety mechanism.

NO SAFETY MECHANISM, HOWEVER, IS A SUBSTITUTE FOR PROPER GUN HANDLING. Any safety mechanism can break down or malfunction. YOU, AND YOU ALONE, ARE THE ULTIMATE SAFETY MECHANISM.

Remember, there is no such thing as a "childproof" safety or one which can completely prevent accidental discharge from careless or irresponsible use. The best safety is proper and applied training in safe gun handling.

Principal Features

We've designed the automatic firing pin lock to provide additional safety with the hammer in either the cocked or decocked position. You can fire the pistol only by pulling the trigger. The double-action feature and the absence of manual safeties make it easier for you to get off a quick first shot. A decocking lever* allows you to lower the cocked hammer safely into the safety intercept notch without your touching the trigger. While you're doing this, the firing pin remains automatically locked. High-contrast sights help you line up on the target rapidly, even under poor light conditions. Ergonomically designed grip plates, ideal grip angle and comfortable grip dimensions facilitate rapid and accurate shooting. The closed design helps keep dirt, sand and other debris out of the action.

* does not apply to the Double Action Only pistols. See page 7 of this manual.

What you should know about the decocking lever

The decocking lever on the SIG SAUER pistol is designed for the express purpose of decocking the firearm. The reason it is there is because it is not safe practice to decock a pistol by pulling the trigger and attempting to ease the hammer forward manually. To decock your pistol, push down the decocking lever (keep your finger OFF the trigger while you do this).

WARNING

Always use the **decocking lever** to decock your SIG SAUER pistol. This is the only way to safely lower the hammer from the cocked position and prevent an accidental discharge. This warning applies to all pistols with decocking levers.

The positive way to safely lower the hammer is by use of the decocking lever. Never lower the hammer by pulling the trigger and attempting to ease the hammer forward manually. Manually lowering the hammer is dangerous and prevents full application of the pistol's safety features.

The decocking lever is the only proper means of lowering the hammer and assuring that the hammer rests in the intercept notch.

Again, **DO NOT THUMB THE HAMMER DOWN:** the consequence can be serious injury or death - **only and ALWAYS use the decocking lever!**

Ammunition

Your SIG SAUER pistol will function effectively and safely with a wide variety of commercial and military-standard ammunition. Here are some suggestions that will help you keep your pistol free from ammunition-related problems:

WARNING

Using the wrong ammunition could result in serious injury or death. Catastrophic damage could occur.

1. Use only ammunition of the caliber for which your pistol is chambered. The right caliber is permanently engraved on your pistol.
2. Use only clean, dry, undamaged new factory-manufactured ammunition. Always use ammunition that complies with the performance standards established by the Sporting Arms and Ammunition Manufacturers' Institute, Inc. of the United States (SAAMI).
3. Always inspect your ammunition before use to be certain all cartridges are the correct caliber.

READ ANY WARNINGS OR INSTRUCTIONS THAT COME WITH YOUR AMMUNITION.

4. Keep your cartridges free of oil. Wipe the chamber clean of any oil or preservative before you shoot. Oil in the chamber creates dangerous stresses.

WARNING

Always know your target, and the maximum range of the ammunition that you are using.

IMPORTANT:

Read this if you own a SIG SAUER DAO Pistol (Double-Action Only):

The DAO differs from the standard pistol in several ways.

FIRST, there's no single-action position for the hammer. It returns to a decocked position after each trigger pull, so it can be fired only in double-action mode. **SECOND**, because it's double-action only, there's only one trigger pull to learn. **THIRD**, because the hammer returns to a decocked position after each shot, there's no need for a decocking lever. In all other respects, the DAO is identical in design and function. In this manual, whenever there's an instruction or information that doesn't apply to the DAO, we'll note it.

Firearms Handling

You have the pistol and the ammo, and you've read and understood all the safety instructions. You know about decocking the pistol by using the decocking lever (which doesn't apply if you have the DAO). Now, you're ready to use the pistol.

Removing the magazine

Remove the magazine by pressing the magazine catch.

Retracting the slide

Draw back the slide, and engage it by pushing up the slide catch lever.

Loading the magazine

1. Press down on the magazine follower with the cartridge case rim.
2. Push the cartridge to the rear and under the magazine lips.
3. Continue until the magazine holds the desired number of cartridges.

Loading the pistol

1. Insert a loaded magazine and make sure it has engaged the magazine catch.
2. Push down the slide catch lever with your thumb, or draw back the slide as far as it will go and allow it to snap forward into battery. This cocks the hammer (on the DAO, the hammer will be in the down position) and chambers a round.
3. Push down the decocking lever with your thumb. The pistol is now loaded, safe and ready to fire in double-action mode. **Keep your finger off the trigger while you do this.**

Reloading during shooting

When the magazine is empty, the slide catch lever holds the slide open. Press the magazine catch to remove the empty magazine and insert a loaded one. Push down the slide catch lever with the thumb of the shooting hand, or draw back the slide and allow it to snap forward. The pistol is again loaded and ready to fire in the single-action mode*.

Unloading the pistol

Pointing the pistol in a safe direction, keep your finger off the trigger and remove the magazine. Pull back the slide and lock it with the slide catch lever. Make sure the last round in the chamber has been extracted and ejected. Visually and physically check the chamber and the magazine well to make sure pistol has been unloaded. Now release the slide on an empty chamber. Depress the decocking lever*. The pistol is now unloaded, decocked and safe.

* Not valid for the DAO. See page 7 of this manual.

Troubleshooting

Firearms work reliably if properly maintained. If there is a malfunction during firing, here's what to do:

1. Keep the pistol pointed in a safe direction with your finger off the trigger.
2. Remove and secure the magazine.
3. Move the slide rearward and forward to clear any cartridge case in or near the chamber.
4. If you suspect that a bullet is lodged in the bore, field strip your pistol and check to see if the barrel is blocked. If there is a bullet lodged in the bore, return the pistol to SIGARMS Inc. See instructions on page 15.

Follow the above procedures if:

- You notice that a cartridge is difficult to chamber, or
- A cartridge does not go off, or
- The mechanism fails to extract a fired cartridge case, or
- You discover unburned grains of propellant powder spilled in the mechanism
- A shot sounds or feels weak or abnormal.

WARNING

IF A BULLET IS IN THE BORE, DO NOT ATTEMPT TO SHOOT IT OUT BY USING ANOTHER CARTRIDGE, OR BY BLOWING IT OUT WITH A BLANK OR A CARTRIDGE FROM WHICH THE BULLET HAS BEEN REMOVED. THIS CAN GENERATE EXCESSIVE PRESSURE, DAMAGE THE FIREARM AND CAUSE SERIOUS PERSONAL INJURY.

Troubleshooting Guide

Malfunction	Cause	Correction
Feed: No round fed into the chamber	Magazine not properly inserted or magazine is deformed or dirty	Insert magazine properly or change magazine
Slide does not close easily or completely	Pistol or cartridge is fouled (dirty) or pistol is too heavily lubricated	Clean and lubricate pistol and /or replace the ammunition
	Pistol requires service	Return to SIGARMS
Extraction/Ejection: After firing, the case stays in the chamber or is jammed in the ejection port	Insufficient recoil due to dirt	Clean and lubricate the pistol
	Light hold or limp wrist	Solid grip, rigid hold
	Low powered ammunition	Change ammunition
	Pistol requires service	Return to SIGARMS
Ignition: Hammer drops but round does not fire	Firing pin obstructed	Inspect, clean and lubricate the pistol
	Faulty ammunition	Manually cycle in next round
	Pistol requires service	Return to SIGARMS

Field Stripping

Before you take the pistol apart, make sure it's unloaded. This is essential for your safety and the safety of others.

Field strip the pistol as follows:

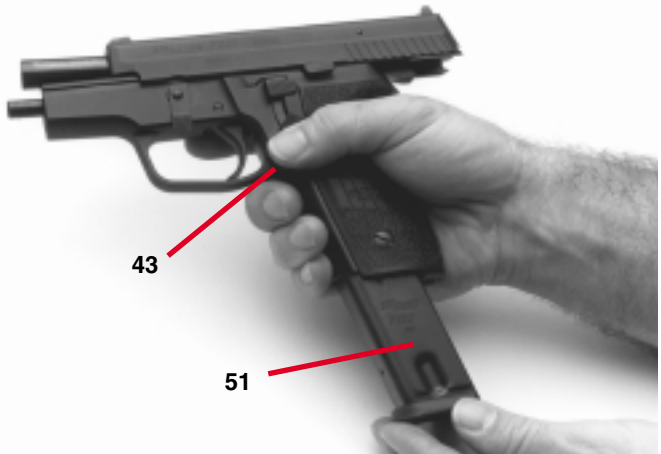


Figure A

- Press the magazine catch (43). Remove the magazine (51).

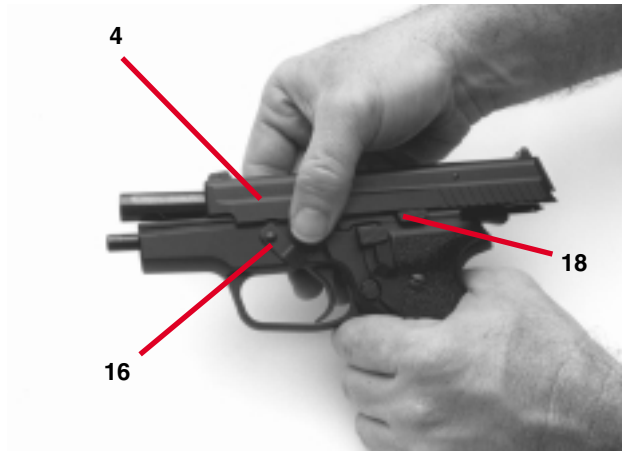


Figure B

- Pull back the slide (4) as far as it will go and hold it in the open position by pushing up the slide catch lever (18) with your thumb.
- Check carefully to ensure that the chamber is empty and the magazine well is clear.
- Turn the take-down lever (16) to a vertical (6 o'clock) position.

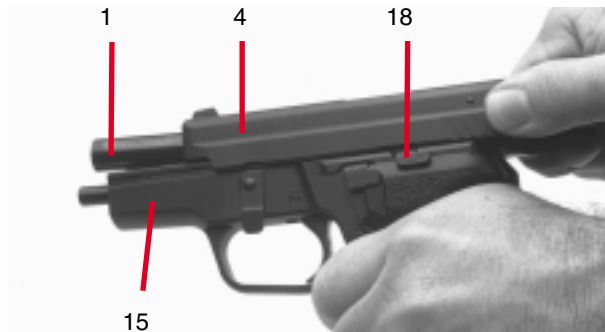


Figure C

- Pull back the slide (4) slightly to disengage the slide catch lever (18). Hold the slide firmly and allow it to glide forward gently. Now slip the complete assembly, comprising slide (4), barrel (1), recoil spring and guide, forward and off the frame (15).



Figure D

- Remove the recoil spring (3) and guide (2), taking care to control the release of spring tension while pointing the assembly away from your body and in a safe direction.



Figure E

- Remove the barrel (1) from the slide (4).
- The field stripped pistol is shown in Figure F. Field stripping is quite sufficient to allow cleaning after shooting. Further dismantling is a job for qualified gunsmiths and armorers only.

Assemble the pistol as follows:

Insert the barrel (1) into the slide (4); fit the recoil spring (3) and guide (2) into place. If the recoil spring and guide were separated during stripping, ensure that the narrower end of the spring is slipped over the guide first. During spring compression, point the assembly away from your body. Slip the assembled slide system onto the frame (15) until it contacts the end stop, and hold it in place with the slide catch lever (18). Now, push up the take-down lever (16). To close the slide, thumb down the slide catch lever (18). Decock the hammer (29) with decocking lever (40)*. Insert the magazine.

* There's no decocking lever on the DAO. See page 7 of this manual.

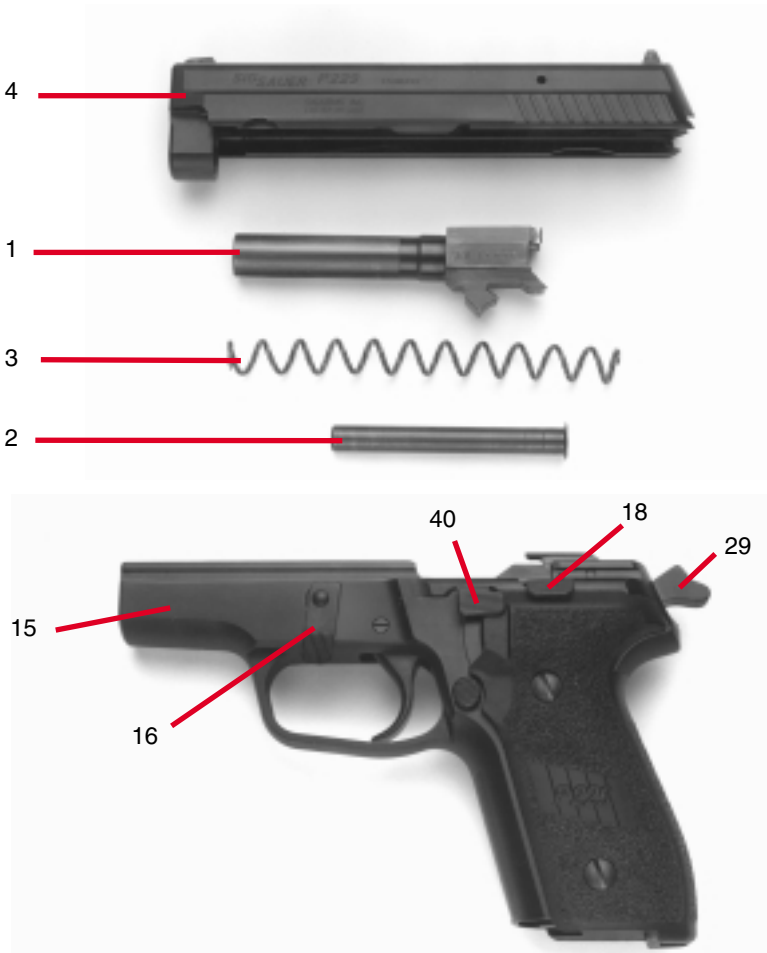


Figure F

Caring for your Pistol

WARNING

BEFORE PERFORMING ANY CLEANING OR MAINTENANCE, MAKE SURE THE PISTOL IS COMPLETELY UNLOADED. THIS INCLUDES THE MAGAZINE AND CHAMBER.

Follow these instructions and your SIG SAUER pistol will remain in excellent condition even after years of hard service.

NOTE: Your SIG SAUER pistol comes from the factory with a light coating of protective grease and oils. **Before you fire the pistol**, you should disassemble, clean and lubricate it as recommended on this page.

WARNING

BEFORE PERFORMING ANY DISASSEMBLY, MAKE SURE YOU ARE WEARING EYE PROTECTION

Barrel and chamber:

Clean the barrel and the chamber from the rear with a quality cleaning solvent, using a cleaning rod and brush of the correct caliber. Never clean the barrel from the muzzle end. Wipe the interior and exterior of the barrel free of all residue. **Lightly** lubricate the barrel, inside and out, with a quality lubricant designed for firearms.

Breech face and locking insert:

Use a small nylon bristle brush to thoroughly clean these areas.

External metal surfaces:

After each use, wipe all metal surfaces with a cloth lightly soaked with a lubricant preservative. This will remove any foreign material and preserve the finish of the pistol. Lightly lubricate the recoil spring (3), recoil spring guide (2) and frame rails before reassembling the pistol.

NOTE: Some cleaning solvents may be harmful to the finish of your pistol. Read the solvent manufacturer's product use instructions and warning labels before using.

IMPORTANT

It is your responsibility to maintain your pistol, if rust appears in the bore, the barrel should be replaced.

PRIOR TO SHOOTING MAKE SURE THE BORE IS DRY.

Transport and Storage

When transporting your pistol, keep it unloaded for your safety and for the safety of others. Know and comply with all laws governing the transport of firearms in your locality. When storing your pistol, keep it separated from ammunition, under lock and key and out of the reach of children and other inexperienced or unauthorized persons.

Returning your Firearm

When you return a pistol to the SIGARMS Inc. Service Department, here's what to do:

1. Make sure that the chamber and magazine(s) are unloaded and that no ammunition is included.
2. Package the firearm securely to prevent damage. Enclose a letter which includes your name, street address, daytime phone number, pistol model and serial number, and a detailed description of the problem you have experienced or the work you want performed. With the exception of extra magazines, do not include cases, scopes, mounts or other accessories. If repairs are to be done under warranty, enclose copy of sales receipt.
3. Generally, an individual may ship firearms to the manufacturer for repair or service. Some states and localities, however, prohibit this. If you live in such an area, the firearms must be shipped by and returned to a Federally Licensed Firearms Dealer.
4. Individuals must ship handguns via UPS. Federal law prohibits persons who do not possess a Federal Firearms License from shipping a handgun via the U.S. Postal Service. (Note: Any shipment of firearms outside of the USA borders is subject to the valid law of the specific country, which you must strictly follow.)
5. **Ship your firearms insured and prepaid (we don't accept collect shipments) to:**

SIGARMS Inc.

Attention: Service Department Corporate Park

18 Industrial Drive

Exeter, NH 03833

USA

Sights

The SIG SAUER pistol is equipped with drift adjustable fixed sights which have proven their worth under severe conditions. The sights consist of a rear sight and a front sight blade, designed and dimensioned to ensure rapid target acquisition even when visibility is poor. You can adjust the sights as follows:

Windage: Change windage by moving the rear sight either to the left or right in its dovetail. When you do this, follow the rear sight rule: Move the rear sight in the direction you want the group to go. Moving the rear sight 0.020" in the dovetail changes the point of impact by approximately 3" at 25 yards. (**Note:** SIGARMS has available a Combination Sight Pusher tool which makes it easier to adjust and change sights.)

Elevation: There are different height combinations available for the front and rear sights. The sights are numbered according to their height. You can change elevation by changing either the rear or front sight. It's easier if you change the rear sight first. Each rear sight change will move the impact of the bullet approximately 2" at 25 yards. Each front sight change will move the impact of the bullet approximately 1" at 25 yards.

Remember, a higher rear sight will **raise** the impact of the bullet; a higher front sight will **lower** the impact of the bullet.

Sight Options

Front Sight		Rear Sight	
Number	Height	Number	Height
05	6.01 mm	05	5.52 mm
06	5.88 mm	06	5.80 mm
07	5.74 mm	07	6.07 mm
08	5.60 mm	08	6.35 mm
09	5.46 mm	09	6.62 mm
		10	6.90 mm

Parts

Before you order any parts, please be advised that: while most gunsmiths and armorers are perfectly capable of repairing your firearm, we can't vouch for any individual's skill or workmanship. Remember, unauthorized adjustments or parts replacement can void your service policy. Your SIG SAUER pistol is a precision instrument and some replacement parts may require a trained gunsmith or armorer to ensure proper operation. Don't take chances; if your firearm ever needs service, simply return it to SIGARMS Inc. Remember, always specify **MODEL, CALIBER** and **SERIAL NUMBER** of your pistol when ordering parts.

If you order a part without returning the pistol to SIGARMS Inc., you're responsible for ensuring that the part supplied is correct for your particular pistol and that it is properly installed and fitted by a qualified gunsmith or armorer.

SIGARMS Inc. CANNOT BE RESPONSIBLE FOR THE FUNCTIONING OF ANY FIREARM WHICH HAS BEEN ALTERED FROM FACTORY SPECIFICATIONS

Inspection and Maintenance

Even the best of pistols, like fine automobiles, require periodic maintenance and inspection. This may reveal a need for adjustment or repair. Even if your pistol seems to be working well, don't take chances... have it checked annually by a qualified gunsmith or armorer.

If you notice any mechanical malfunction, STOP using the firearm. UNLOAD it and take it to a qualified gunsmith or armorer immediately for a thorough examination. Similarly, if water, sand, or other debris enters the mechanism, field strip the pistol immediately and thoroughly clean it. Failure to keep your pistol cleaned, lubricated and in proper working order could lead to serious bodily injury or property damage.

WARNING

DO NOT ATTEMPT TO DISASSEMBLE YOUR PISTOL BEYOND THE POINT EXPLAINED IN THIS MANUAL. THIS SHOULD BE DONE ONLY AT THE FACTORY.

Some of the components are installed under great spring pressure requiring special tools and fixtures for disassembly.

Warranty Statement

Based on Magnuson-Moss Warranty Act, SIGARMS Inc. offers no express warranty on their product line. However, SIGARMS Inc. recognizes its obligations concerning service to owners of SIGARMS products. SIGARMS Inc. stands behind its products and will continue to provide service to their product line as they have over the years. SIGARMS Inc. products will be serviced for a period of one year from date of retail purchase, for defects in materials or workmanship, at no charge to the purchaser. Be sure to retain your sales slip as proof of purchase date when making a claim.

This instruction manual should always accompany this pistol and be transferred with it upon change of ownership.

Service Policy

If you have questions concerning the performance or servicing of your pistol, please write or call:

SIGARMS Inc.

Attention: Service Department

18 Industrial Drive

Exeter, NH 03833 USA

Phone: 603 772-2302 Fax: 603 772-9082

**IF YOU DO NOT UNDERSTAND THE INSTRUCTIONS
FOR OPERATING YOUR PISTOL, IT IS YOUR RESPONSIBILITY
TO CALL OUR SERVICE DEPARTMENT: Phone # 603 772-2302
BEFORE USING YOUR FIREARM.**

WARNING

Always use the **decocking lever** to decock your SIG SAUER pistol. This is the only way to safely lower the hammer from the cocked position and prevent an accidental discharge.

This warning applies to all pistols with decocking levers. The positive way to safely lower the hammer is by use of the decocking lever.

Never lower the hammer by pulling the trigger and attempting to ease the hammer forward manually. Manually lowering the hammer is dangerous and prevents full application of the pistol's safety features.

The decocking lever is the only proper means of lowering the hammer and assuring that the hammer rests in the intercept notch.

Again, **DO NOT THUMB THE HAMMER DOWN:** the consequence can be serious injury or death - **only and ALWAYS use the decocking lever!**

Specifications SIG SAUER P220 & P245

Mechanically-Locked, Recoil-Operated, Semiautomatic Pistol

Trigger: Double-Action/Single-Action or Double-Action Only

- 4 Point Safety System:**
1. Patented automatic firing-pin lock
 2. Decocking Lever (DA/SA Only)
 3. Safety Intercept Notch
 4. Disconnecter

	P220	P245
Caliber	.45 ACP	.45 APC
Length, overall	7.8"	7.28"
Height, overall	5.6"	5.0"
Width, overall	1.4"	1.34"
Barrel length	4.4"	3.9"
Rifling twist	1 in 16"	1 in 16"
Rifling grooves	6	6
Sight radius	6.3"	5.7"
Weight, w/o magazine	27.8 oz.	27.5 oz.
Weight, empty magazine	2.6 oz.	2.5 oz.
Trigger pull weight	DA 10 lbs., SA 4.5 lbs.	DA 10 lbs. SA 4.5 lbs.
Magazine capacity	7 rounds 8 rounds (optional)	6 rounds

All weights and dimensions are approximate

Specifications subject to change without notice

Specifications - SIG SAUER P225

Mechanically Locked, Recoil-Operated, Semiautomatic Pistol

Trigger: Double-Action/Single-Action or Double-Action Only

- 4 Point Safety System:**
1. Patented automatic firing-pin lock
 2. Decocking Lever (DA/SA Only)
 3. Safety Intercept Notch
 4. Disconnecter

Caliber	9mm Luger (Parabellum)
Length, overall	7.1"
Height, overall	5.2"
Width, overall	1.3"
Barrel length	3.9"
Rifling twist	1 in 10"
Rifling grooves	6
Sight radius	5.7"
Weight, w/o magazine	25.9 oz.
Weight, empty magazine	2.7 oz.
Trigger pull weight	DA 10 lbs., SA 4.5 lbs.
Magazine capacity	8 rounds

All weights and dimensions are approximate

Specifications subject to change without notice

Specifications- SIG SAUER P226

Mechanically-Locked, Recoil-Operated, Semiautomatic Pistol

Trigger: Double-Action/Single-Action or Double-Action Only

- 4 Point Safety System:**
1. Patented automatic firing-pin lock
 2. Decocking Lever (DA/SA Only)
 3. Safety Intercept Notch
 4. Disconnecter

Caliber	9mm Luger	.357 SIG	.40 S&W
Length, overall	7.7"	7.7"	7.7"
Height, overall	5.5"	5.5"	5.5"
Width, overall	1.5"	1.5"	1.5"
Barrel length	4.4"	4.4"	4.4"
Rifling twist	1 in 10"	1 in 16"	1 in 15"
Rifling grooves	6	6	6
Sight radius	6.3"	6.3"	6.3"
Weight, w/o magazine	28.3 oz.	30.6 oz.	30.6 oz.
Weight, empty magazine	3.4 oz.	3.4 oz.	3.4 oz.
Trigger pull weight	DA 10 lbs., SA 4.5 lbs.	DA 10 lbs., SA 4.5 lbs.	DA 10 lbs., SA 4.5 lbs.
Magazine capacity	10 rounds*	10 rounds**	10 rounds**

All weights and dimensions are approximate

Specifications subject to change without notice

The .357 SIG and the .40 S&W barrels can be interchanged on the P226 and the same magazine can be used for .357 SIG or .40 S&W cartridges.

The 9mm barrel and magazine are not interchangeable with the .357 SIG or .40 S&W

*15-round magazines available for law enforcement personnel only.

**12-round magazines available for law enforcement personnel only.

Specifications - SIG SAUER P228

Mechanically-Locked, Recoil-Operated, Semiautomatic Pistol

Trigger: Double-Action/Single-Action or Double-Action Only

- 4 Point Safety System:**
1. Patented automatic firing-pin lock
 2. Decocking Lever (DA/SA Only)
 3. Safety Intercept Notch
 4. Disconnecter

Caliber	9mm Luger (Parabellum)
Length, overall	7.1"
Height, overall	5.4"
Width, overall	1.5"
Barrel length	3.9"
Rifling twist	1 in 10"
Rifling grooves	6
Sight radius	5.7"
Weight w/o magazine	26.2 oz.
Weight, empty magazine	3.0 oz.
Trigger pull weight	DA 10 lbs., SA 4.5 lbs.
Magazine capacity	10 rounds*

All weights and dimensions are approximate

Specifications subject to change without notice

*13-round magazines available for law enforcement personnel only.

Specifications - SIG SAUER P229

Mechanically-Locked, Recoil-Operated, Semiautomatic Pistol

Trigger: Double-Action/Single-Action or Double-Action Only

- 4 Point Safety System:**
1. Patented automatic firing-pin lock
 2. Decocking Lever (DA/SA Only)
 3. Safety Intercept Notch
 4. Disconnecter

Caliber	9mm Luger	.357 SIG	.40 S&W
Length, overall	7.1"	7.1"	7.1"
Height, overall	5.4"	5.4"	5.4"
Width, overall	1.5"	1.5"	1.5"
Barrel length	3.9"	3.9"	3.9"
Rifling twist	1 in 10"	1 in 16"	1 in 15"
Rifling grooves	6	6	6
Sight radius	5.7"	5.7"	5.7"
Weight, w/o magazine	28.1 oz.	29.5 oz.	29.3 oz.
Weight, empty magazine	3.0 oz.	2.9 oz.	2.9 oz.
Trigger pull weight	DA 10 lbs., SA 4.5 lbs.	DA 10 lbs., SA 4.5 lbs.	DA 10 lbs., SA 4.5 lbs.
Magazine capacity	10 rounds*	10 rounds**	10 rounds**

All weights and dimensions are approximate

Specifications subject to change without notice

The .357 SIG or .40 S&W barrels can be interchanged on the P229 and the same magazine can be used for .357 SIG or .40 S&W cartridges.

The 9mm barrel and magazine are not interchangeable with the .357 SIG or .40 S&W.

* 13-round magazines available for law enforcement personnel only

** 12-round magazines available for law enforcement personnel only

Specifications - SIG SAUER P239

Mechanically-Locked, Recoil-Operated, Semiautomatic Pistol

Trigger: Double-Action/Single-Action or Double-Action Only

- 4 Point Safety System:**
1. Patented automatic firing-pin lock
 2. Decocking Lever (DA/SA Only)
 3. Safety Intercept Notch
 4. Disconnecter

Caliber	9mm Luger	.357 SIG	.40 S&W
Length, overall	6.6"	6.6"	6.6"
Height, overall	5.1"	5.2"	5.2"
Width, overall	1.2"	1.2"	1.2"
Barrel length	3.6"	3.6"	3.6"
Rifling twist	1 in 10"	1 in 16"	1 in 15"
Rifling grooves	6	6	6
Sight radius	5.2"	5.3"	5.3"
Weight, w/o magazine	25.2 oz.	27.4 oz.	27.4 oz.
Weight, empty magazine	2.3 oz.	2.4 oz.	2.4 oz.
Trigger pull weight	DA 9.5 lbs., SA 4 lbs.	DA 9.5 lbs., SA 4 lbs.	DA 9.5 lbs. SA 4 lbs.
Magazine capacity	8 rounds	7 rounds	7 rounds

All weights and dimensions are approximate

Specifications subject to change without notice

The .357 SIG and .40 S&W barrels can be interchanged in the P239.

Each caliber will require a caliber specific magazine.

Magazines are not interchangeable between calibers.

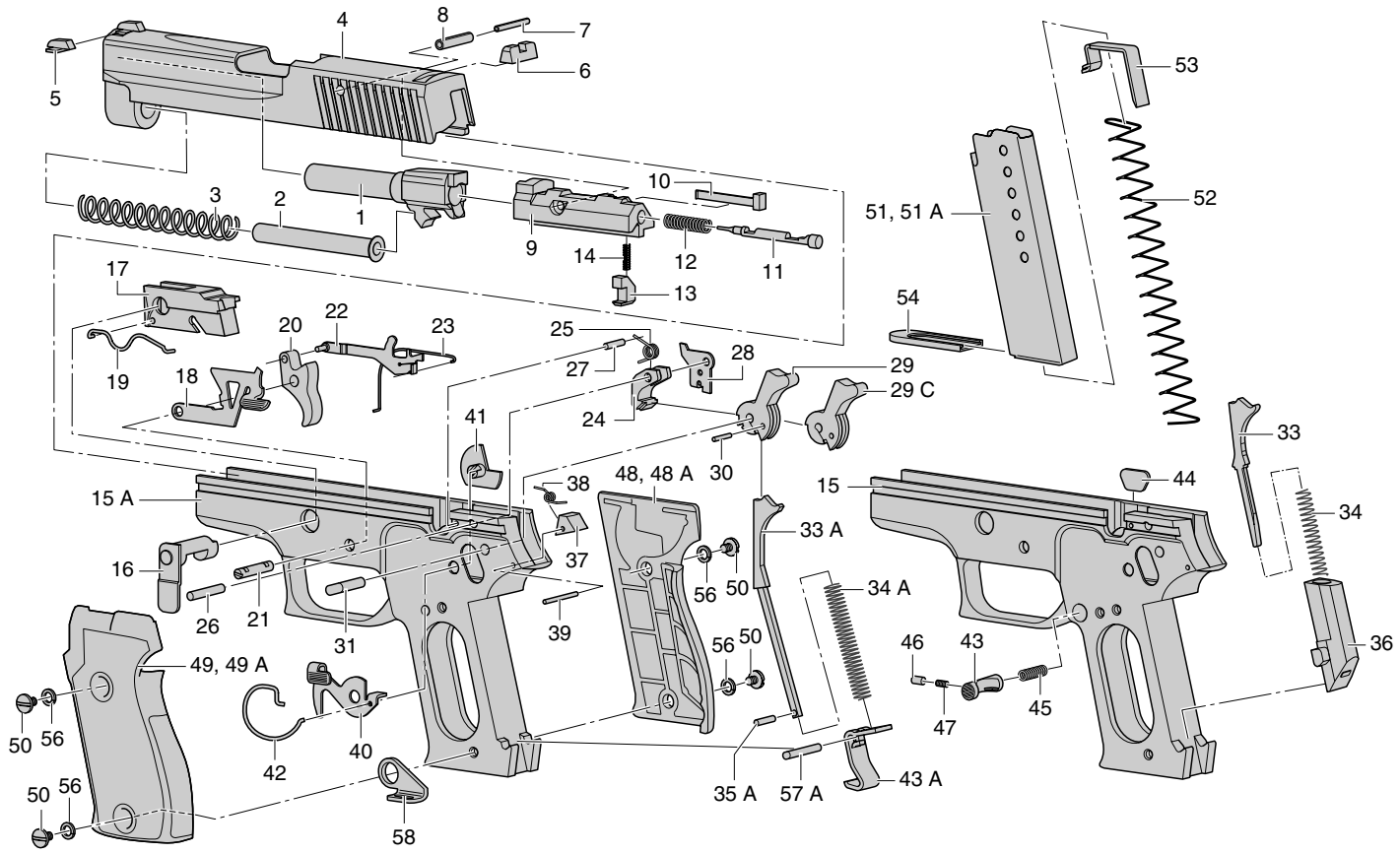
The 9mm barrel and magazine are not interchangeable with the .357 SIG or .40 S&W

SIG Sauer Pistol

Exploded Diagrams
&
Parts Lists

P220 Exploded View

26



▲ For the accompanying figure to the list, see page 26.

Essential information when ordering spare parts

- Pistol model (calibre, designation)
- Pistol serial number
- Item number and index
- Part designation

Index explanation

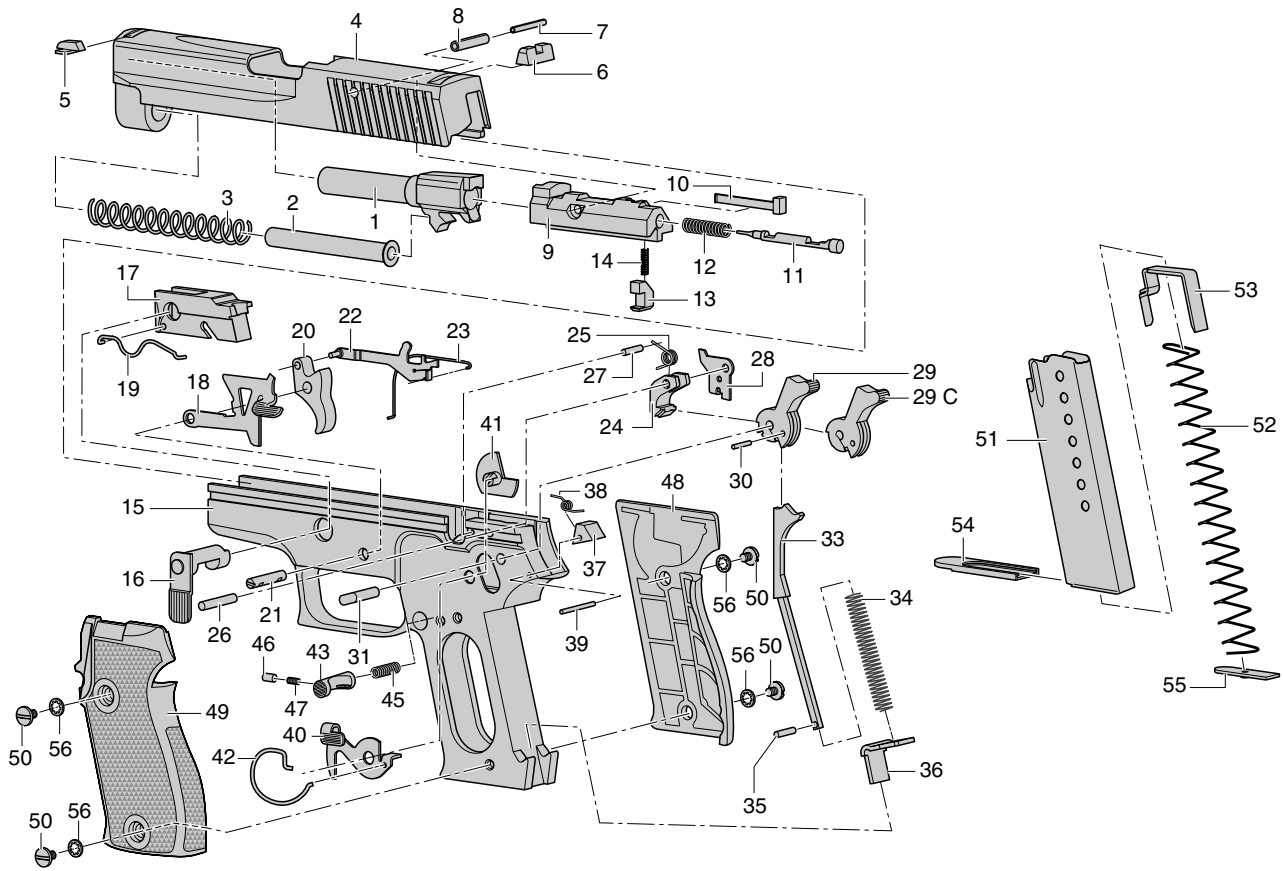
- A = P 220 (European)
- B = P 220-1(American)
- C = P 220-1 DAO
- * = not for P 220-1 DAO

▲ Never install a standard hammer **29** in a DAO pistol.

Item	Designation
1	Barrel
2	Recoil spring guide
3	Recoil spring
4	Slide
5	Front sight 05/06/07/08/09/10
6	Rear sight 04/05/06/07/08/09/10
7	Roll pin, heavy
8	Roll pin, heavy
9	Breechblock
10	Extractor
11	Firing pin
12	Firing pin spring
13	Safety lock
14	Safety lock spring
15, 15 A	Frame
16	Takedown lever
17	Locking insert
18	Slide catch lever

Item	Designation
19	Slide catch lever spring
20	Trigger
21	Trigger pivot
22	Trigger bar
23	Trigger bar spring
24	Sear
25	Sear spring
26	Pivot, sear and safety lever
27	Roll pin, heavy
28	Safety lever
29, 29 C	Hammer
30	Hammer strut pin
31	Hammer pivot pin
33, 33 A	Hammer strut
34, 34 A	Mainspring
35 A	Hammer strut roll pin
36	Mainspring seat
37	Hammer stop
38	Reset spring
39	Hammer stop pin

Item	Designation
40 *	Decocking lever
41 *	Decocking lever bearing
42 *	Decocking lever spring
43, 43 A	Magazine catch
44	Support plate
45	Magazine catch spring
46	Magazine catch stop
47	Catch stop spring
48, 48 A	Grip plate, right
49, 49 A	Grip plate, left
50	Grip plate screw
51, 51 A	Magazine tube
52	Magazine spring
53	Feeder
54	Magazine floorplate
56	Serrated washer
57 A	Magazine catch pin
58	Lanyard loop



▲ For the accompanying figure to the list, see page 28.

Essential information when ordering spare parts

- Pistol model (calibre, designation)
- Pistol serial number
- Item number and index
- Part designation

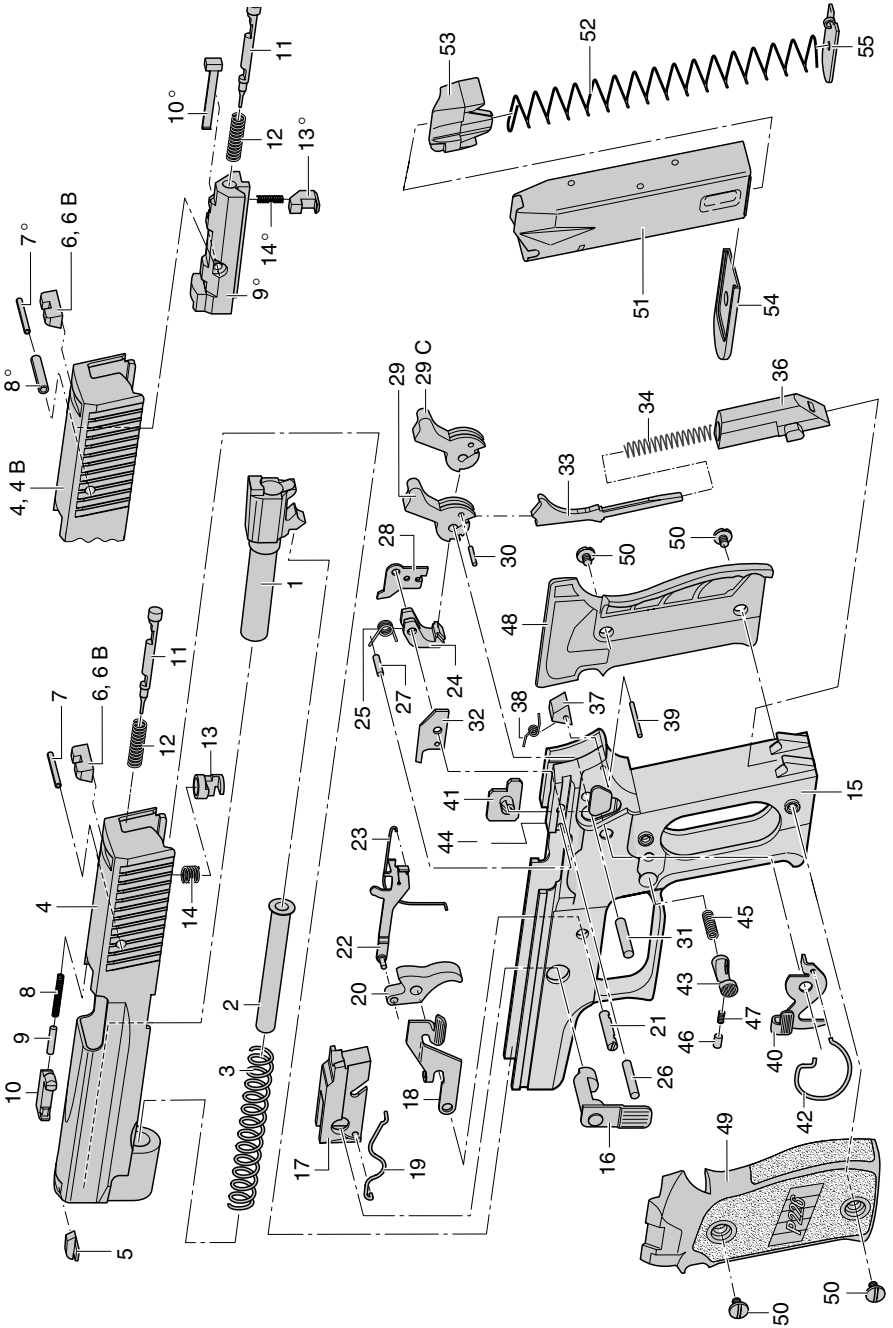
Index explanation

- C = P 225 DAO
- * = not for P 225 DAO

▲ Never install a standard hammer **29** in a DAO pistol.

Item	Designation	Item	Designation	Item	Designation
1	Barrel	19	Slide catch lever spring	38	Reset spring
2	Recoil spring guide	20	Trigger	39	Hammer stop pin
3	Recoil spring	21	Trigger pivot	40 *	Decocking lever
4	Slide	22	Trigger bar	41 *	Decocking lever bearing
5	Front sight 05/06/07/08/09/10	23	Trigger bar spring	42 *	Decocking lever spring
6	Rear sight 04/05/06/07/08/09/10	24	Sear	43	Magazine catch
7	Roll pin, heavy	25	Sear spring	45	Magazine catch spring
8	Roll pin, heavy	26	Pivot, sear and safety lever	46	Magazine catch stop
9	Breechblock	27	Roll pin, heavy	47	Catch stop spring
10	Extractor	28	Safety lever	48	Grip plate, right
11	Firing pin	29, 29 C	Hammer	49	Grip plate, left
12	Firing pin spring	30	Hammer strut pin	50	Grip plate screw
13	Safety lock	31	Hammer pivot pin	51	Magazine tube
14	Safety lock spring	33	Hammer strut	52	Magazine spring
15	Frame	34	Mainspring	53	Feeder
16	Takedown lever	35	Hammer strut roll pin	54	Magazine floorplate
17	Locking insert	36	Mainspring seat	55	Floorplate insert
18	Slide catch lever	37	Hammer stop	56	Serrated washer

P226 Exploded View



P226 Parts List

Item	Designation	Item	Designation	Item	Designation
1	Barrel	16	Takedown lever	37	Hammer stop
2	Recoil spring guide	17	Locking insert	38	Reset spring
3	Recoil spring	18	Slide catch lever	39	Hammer stop pin
4, 4 B	Slide	19	Slide catch lever spring	40 *	Decocking lever
5	Front sight	20	Trigger	41 *	Decocking lever bearing
6	Rear sight	21	Trigger pivot	42 *	Decocking lever spring
	04/05/06/07/08/09/10	22	Trigger bar	43	Magazine catch
6 B	Micrometre rear sight	23	Trigger bar spring	44	Support plate
7 °	Roll pin, heavy	24	Sear	45	Magazine catch spring
7	Firing pin bolt	25	Sear spring	46	Magazine catch stop
8 °	Roll pin, heavy	26	Pivot, sear and safety lever	47	Catch stop spring
8	Extractor spring	27	Roll pin, heavy	48	Grip plate, right
9 °	Breechblock	28	Safety lever	49	Grip plate, left
9	Extractor bolt	29, 29 C	Hammer	50	Grip plate screw
10, 10 °	Extractor	30	Hammer strut pin	51	Magazine tube
11	Firing pin	31	Hammer pivot pin	52	Magazine spring
12	Firing pin spring	32	Ejector	53	Feeder
13, 13 °	Safety lock	33	Hammer strut	54	Magazine floorplate
14, 14 °	Safety lock spring	34	Mainspring	55	Floorplate insert
15	Frame	36	Mainspring seat		

▲ For the accompanying figure to the list, see page 30.

Essential information when ordering spare parts

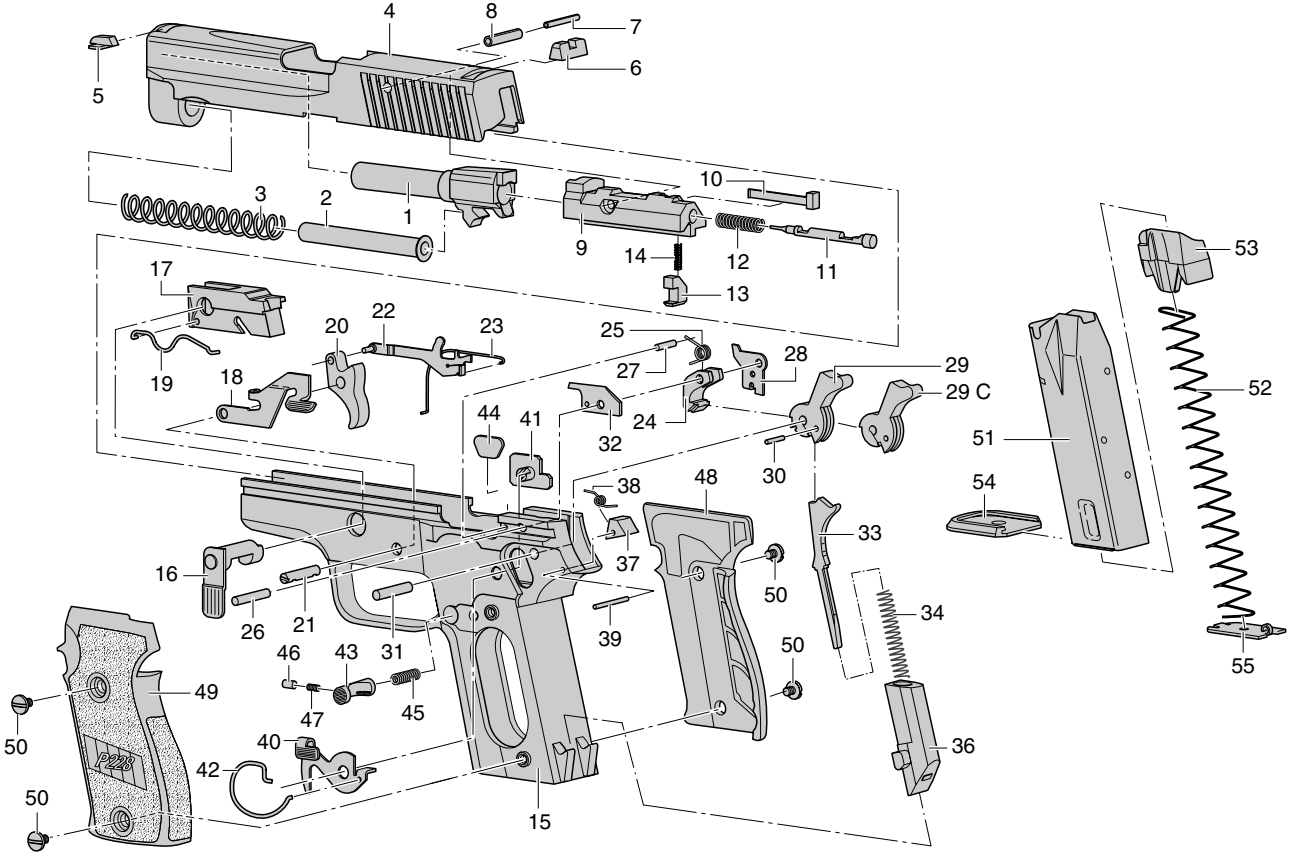
- Pistol model (calibre, designation)
- Pistol serial number
- Item number and index
- Part designation

Index explanation

- B = P 226 Sport
- C = P 226 DAO
- * = not for P 226 DAO
- ° = sheet metal slide

▲ Never install a standard hammer **29** in a DAO pistol.

P228 Exploded View



▲ For the accompanying figure to the list, see page 32.

Essential information when ordering spare parts

- Pistol model (calibre, designation)
- Pistol serial number
- Item number and index
- Part designation

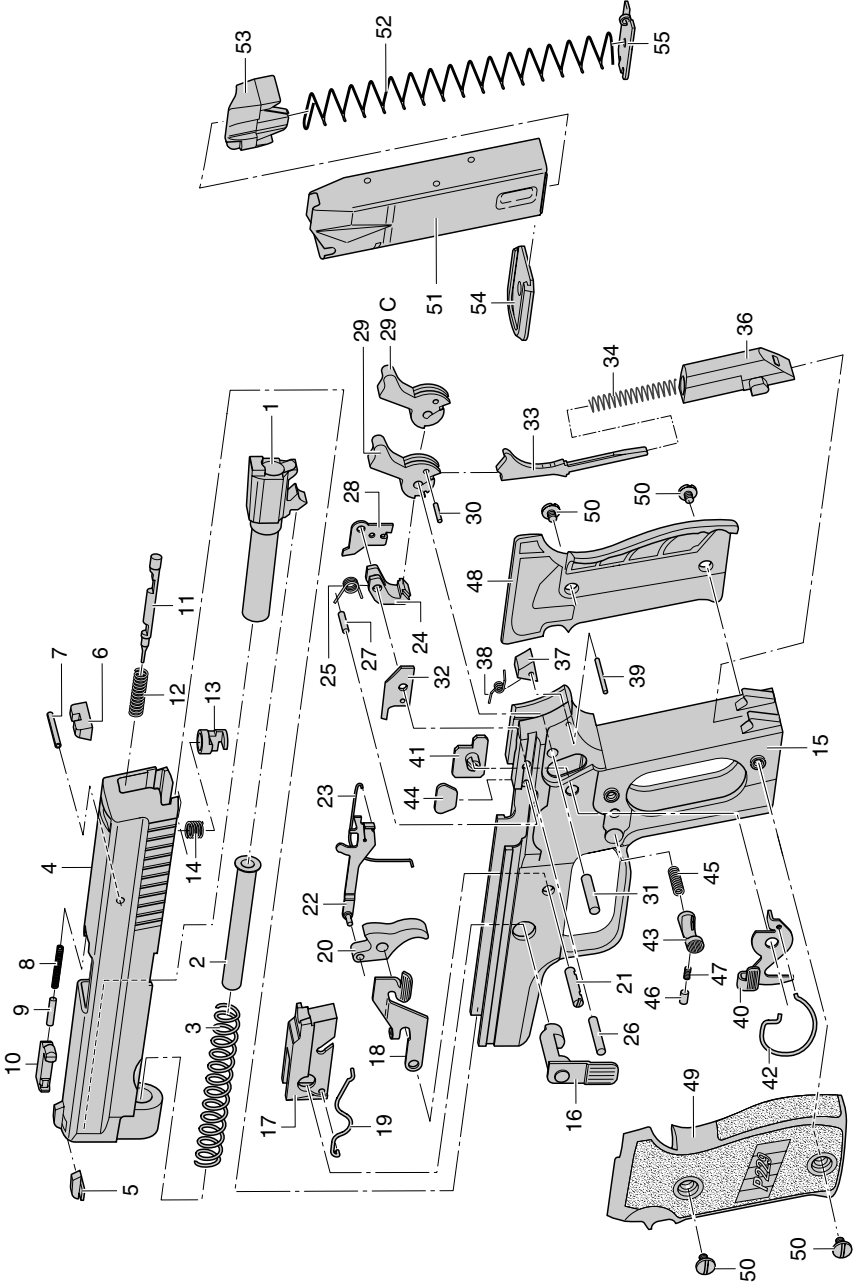
Index explanation

- C = P 228 DAO
- * = not for P 228 DAO

▲ Never install a standard hammer **29** in a DAO pistol.

Item	Designation	Item	Designation	Item	Designation
1	Barrel	20	Trigger	40 *	Decocking lever
2	Recoil spring guide	21	Trigger pivot	41 *	Decocking lever bearing
3	Recoil spring	22	Trigger bar	42 *	Decocking lever spring
4	Slide	23	Trigger bar spring	43	Magazine catch
5	Front sight 05/06/07/08/09/10	24	Sear	44	Support plate
6	Rear sight 04/05/06/07/08/09/10	25	Sear spring	45	Magazine catch spring
7	Roll pin, heavy	26	Pivot, sear and safety lever	46	Magazine catch stop
8	Roll pin, heavy	27	Roll pin, heavy	47	Catch stop spring
9	Breechblock	28	Safety lever	48	Grip plate, right
10	Extractor	29, 29 C	Hammer	49	Grip plate, left
11	Firing pin	30	Hammer strut pin	50	Grip plate screw
12	Firing pin spring	31	Hammer pivot pin	51	Magazine tube
13	Safety lock	32	Ejector	52	Magazine spring
14	Safety lock spring	33	Hammer strut	53	Feeder
15	Frame	34	Mainspring	54	Magazine floorplate
16	Takedown lever	35	Hammer strut roll pin	55	Floorplate insert
17	Locking insert	36	Mainspring seat		
18	Slide catch lever	37	Hammer stop		
19	Slide catch lever spring	38	Reset spring		
		39	Hammer stop pin		

P229 Exploded View



▲ For the accompanying figure to the list, see page 34.

Essential information when ordering spare parts

- Pistol model (calibre, designation)
- Pistol serial number
- Item number and index
- Part designation

Index explanation

- C = P 229 DAO
- * = not for P 229 DAO

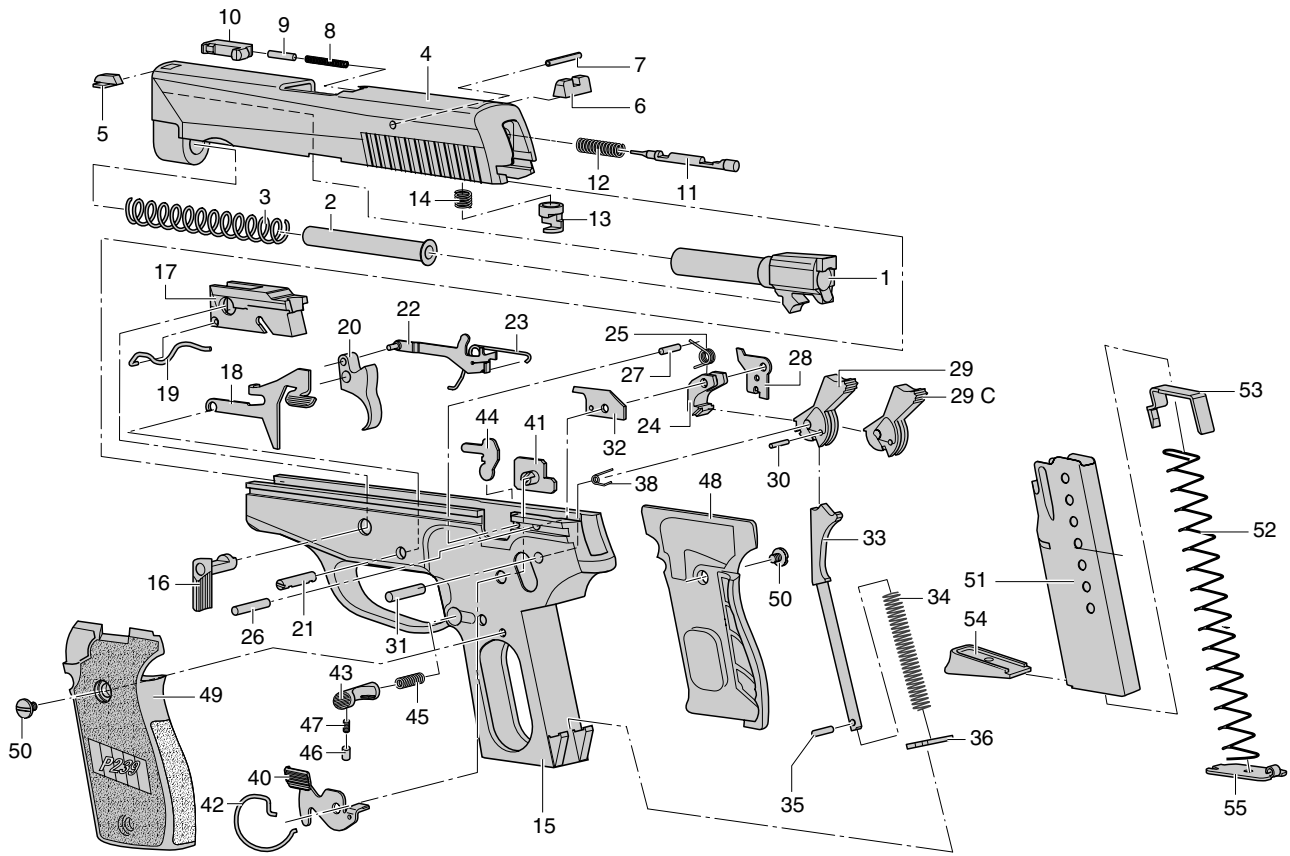
▲ Never install a standard hammer **29** in a DAO pistol.

35

Item	Designation
1	Barrel
2	Recoil spring guide
3	Recoil spring
4	Slide
5	Front sight 05/06/07/08/09/10
6	Rear sight 04/05/06/07/08/09/10
7	Firing pin bolt
8	Extractor spring
9	Extractor bolt
10	Extractor
11	Firing pin
12	Firing pin spring
13	Safety lock
14	Safety lock spring
15	Frame
16	Takedown lever
17	Locking insert
18	Slide catch lever
19	Slide catch lever spring

Item	Designation
20	Trigger
21	Trigger pivot
22	Trigger bar
23	Trigger bar spring
24	Sear
25	Sear spring
26	Pivot, sear and safety lever
27	Roll pin, heavy
28	Safety lever
29, 29 C	Hammer
30	Hammer strut pin
31	Hammer pivot pin
32	Ejector
33	Hammer strut
34	Mainspring
36	Mainspring seat
37	Hammer stop
38	Reset spring
39	Hammer stop pin

Item	Designation
40 *	Decocking lever
41 *	Decocking lever bearing
42 *	Decocking lever spring
43	Magazine catch
44	Support plate
45	Magazine catch spring
46	Magazine catch stop
47	Catch stop spring
48	Grip plate, right
49	Grip plate, left
50	Grip plate screw
51	Magazine tube
52	Magazine spring
53	Feeder
54	Magazine floorplate
55	Floorplate insert



▲ For the accompanying figure to the list, see page 36.

Essential information when ordering spare parts

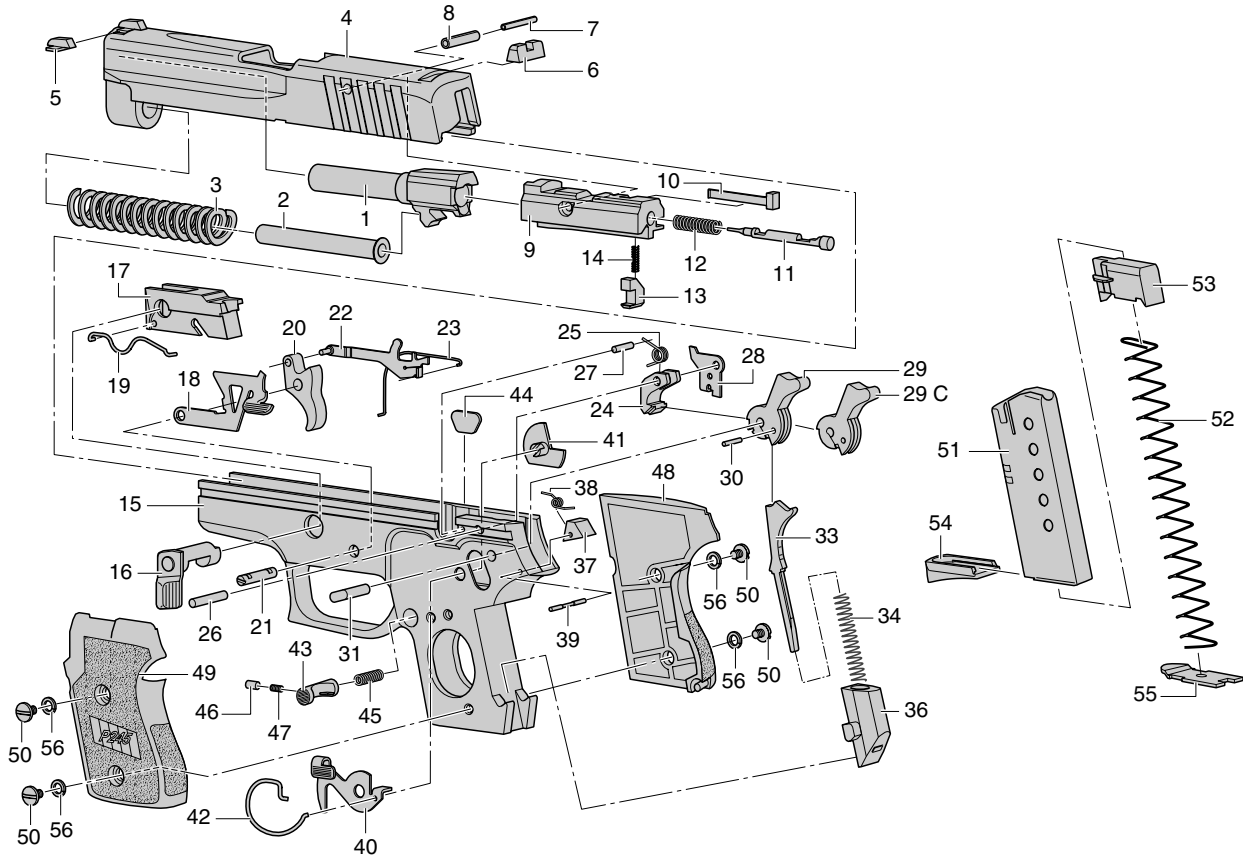
- Pistol model (calibre, designation)
- Pistol serial number
- Item number and index
- Part designation

Index explanation

- C = P 239 DAO
- * = not for P 239 DAO

▲ Never install a standard hammer **29** in a DAO pistol.

Item	Designation	Item	Designation	Item	Designation
1	Barrel	20	Trigger	42 *	Decocking lever spring
2	Recoil spring guide	21	Trigger pivot	43	Magazine catch
3	Recoil spring	22	Trigger bar	44	Support plate
4	Slide	23	Trigger bar spring	45	Magazine catch spring
5	Front sight 05/06/07/08/09/10	24	Sear	46	Magazine catch stop
6	Rear sight 04/05/06/07/08/09/10	25	Sear spring	47	Catch stop spring
7	Firing pin bolt	26	Pivot, sear and safety lever	48	Grip plate, right
8	Extractor spring	27	Roll pin, heavy	49	Grip plate, left
9	Extractor bolt	28	Safety lever	50	Grip plate screw
10	Extractor	29, 29 C	Hammer	51	Magazine tube
11	Firing pin	30	Hammer strut pin	52	Magazine spring
12	Firing pin spring	31	Hammer pivot pin	53	Feeder
13	Safety lock	32	Ejector	54	Magazine floorplate
14	Safety lock spring	33	Hammer strut	55	Floorplate insert
15	Frame	34	Mainspring		
16	Takedown lever	35	Hammer strut roll pin		
17	Locking insert	36	Mainspring seat		
18	Slide catch lever	38	Reset spring		
19	Slide catch lever spring	40 *	Decocking lever		
		41 *	Decocking lever bearing		



▲ For the accompanying figure to the list, see page 38.

Essential information when ordering spare parts

- Pistol model (calibre, designation)
- Pistol serial number
- Item number and index
- Part designation

Index explanation

- C = P 245 DAO
- * = not for P 245 DAO

▲ Never install a standard hammer **29** in a DAO pistol.

Item	Designation	Item	Designation	Item	Designation
1	Barrel	19	Slide catch lever spring	40 *	Decocking lever
2	Recoil spring guide	20	Trigger	41 *	Decocking lever bearing
3	Recoil spring	21	Trigger pivot	42 *	Decocking lever spring
4	Slide	22	Trigger bar	43	Magazine catch
5	Front sight 05/06/07/08/09/10	23	Trigger bar spring	44	Support plate
6	Rear sight 04/05/06/07/08/09/10	24	Sear	45	Magazine catch spring
7	Roll pin, heavy	25	Sear spring	46	Magazine catch stop
8	Roll pin, heavy	26	Pivot, sear and safety lever	47	Catch stop spring
9	Breechblock	27	Roll pin, heavy	48	Grip plate, right
10	Extractor	28	Safety lever	49	Grip plate, left
11	Firing pin	29, 29 C	Hammer	50	Grip plate screw
12	Firing pin spring	30	Hammer strut pin	51	Magazine tube
13	Safety lock	31	Hammer pivot pin	52	Magazine spring
14	Safety lock spring	33	Hammer strut	53	Feeder
15	Frame	34	Mainspring	54	Magazine floorplate
16	Takedown lever	35	Hammer strut roll pin	55	Floorplate insert
17	Locking insert	36	Mainspring seat	56	Serrated washer
18	Slide catch lever	37	Hammer stop		
		38	Reset spring		
		39	Hammer stop pin		

***Be aware of those around you.
If their actions are not in keeping with
safe gun handling procedures,
TELL THEM.***

IMPORTANT:

**Do not discard. Keep this manual with your firearm.
Upon change of ownership, transfer this manual
with the firearm.**

SIGARMS®

*SIGARMS Inc.
Corporate Park
Exeter, NH 03833
(603) 772-2302
www.sigarms.com*

SIG SAUER®, **SIG®**, and **SIGLITE®**
are registered trademarks of **SIGARMS Inc.**
All specifications are subject to change without notice.