

**SIGSAUER**

**MOSQUITO**



• Handling and Safety Instructions

<b>1</b>	<b>Safety regulations</b>	<b>USA 5</b>	<b>7</b>	<b>Pistol maintenance</b>	<b>USA 15</b>
			7.1	Stripping the pistol	USA 15
<b>2</b>	<b>Product description</b>	<b>USA 6</b>	7.2	Cleaning the pistol	USA 16
2.1	Main parts	USA 6	7.3	Pistol assembly	USA 17
2.2	Technical data	USA 7	7.4	Functional check	USA 17
			7.5	Care of the pistol	USA 19
<b>3</b>	<b>Transporting the pistol</b>	<b>USA 8</b>	<b>8</b>	<b>Service and repairs</b>	<b>USA 19</b>
<b>4</b>	<b>Safety mechanisms</b>	<b>USA 8</b>	8.1	Fault detection, fault removal	USA 19
<b>5</b>	<b>Handling the pistol</b>	<b>USA 10</b>	8.2	Safekeeping and storage of pistol	USA 21
5.1	General	USA 10	8.3	Shipping the pistol	USA 21
5.2	Ammunition	USA 10	<b>9</b>	<b>Scope of supply</b>	<b>USA 22</b>
5.3	Loading the magazine	USA 10	<b>10</b>	<b>Accessories</b>	<b>USA 22</b>
5.4	Loading the pistol (ready for firing)	USA 11	<b>11</b>	<b>Disposal</b>	<b>USA 22</b>
5.5	Firing	USA 11	<b>12</b>	<b>List of replacement parts</b>	<b>USA 22</b>
5.6	Reloading during firing	USA 12			
5.7	Unloading the pistol; magazine not empty	USA 12			
5.8	Unloading the pistol; magazine empty, slide open	USA 13			
<b>6</b>	<b>Sight correction</b>	<b>USA 14</b>			
6.1	Sight correction for windage	USA 14			
6.2	Sight correction for elevation	USA 14			



## 1 Safety regulations

- Never use the pistol under the influence of drugs or alcohol, while ill or suffering other such difficulties. These conditions can impair your powers of judgment and reflexes.
- Always think of the pistol as being loaded and with the safety off until you have established the opposite through the unloading procedure (see Section 4.7 and 4.8).
- Always keep the muzzle of the pistol in a safe direction with all handling. A safe direction is towards an area where there are no people, other life forms or property that is not a recognized target.
- Never point the pistol at doors, panes of glass, walls, concrete, stone or flat surfaces (water included). A bullet can penetrate such surfaces or be ricocheted in an unsafe direction.
- Never aim at yourself or other life forms.
- Never rely on safety mechanisms alone. Safety mechanisms are not a substitute for careful, correct and secure handling of the pistol.
- Always treat your pistol as if the safety mechanisms were not functioning. The best safety precaution is a correct, well-trained and safe handling of the pistol.
- Never shoot with a pistol which has been penetrated by water, sand, dirt or other foreign bodies.
- Never decock the hammer by holding on to the hammer and pulling the trigger at the same time.

- Never let a loaded pistol out of your hand.
- Always unload the pistol immediately after firing, before putting the pistol away, putting into a holster or handing it to another authorized person.
- Never give the pistol to a person who has not thoroughly familiarized himself or herself with the safety instructions and handling of the pistol, by reading the corresponding instructions.
- Never leave the pistol lying unattended and protect the pistol from unauthorized access.
- Never store the pistol loaded, but rather remove the magazine and ensure that no cartridge is left in the chamber of the barrel.
- Always keep the pistol and the ammunition separate from one another, and ensure that neither is obtained by unauthorized persons or children.

**Please read and understand this instructions carefully before each and every handling of the SIG SAUER Pistol.**

### Warning

Information on dangers, which if not scrupulously observed, can directly lead to severe bodily harm or death.

### Caution

Information on dangers, which if not scrupulously observed, can lead to bodily harm, damage to property and damage to the pistol.

### Notice

Information on technical requirements, which if not scrupulously observed, can lead to damage to the pistol.

## 2 Product description

### 2.1 Main parts

- 1 Barrel block
- 4 Slide
- 5 Front sight A, B, C
- 6 Rear sight
- 15 Frame
- 16 Takedown lever
- 18 Slide catch lever
- 20 Trigger
- 29 Hammer
- 40 Decocking lever
- 43 Magazine catch
- 46 Manual safety
- 51 Magazine



Fig. 1

### 2.2 Technical data

#### Standard version

Caliber	22 Long Rifle
Overall length	183 mm
Overall height	134 mm
Overall width	37 mm
Barrel length	101 mm
Rifling length	406 mm, right
Number of grooves	6
Sight base	140 mm
Weight without magazine	650 g
Magazine weight, empty	50 g
Trigger pool, approx.	SA 1.8 kg DA 5.5 kg
Magazine capacity/rounds	10

Included in the delivery are:

- 1 pistol
- 2 magazines
- 1 handbook
- 1 assembly illustration
- 1 cable lock
- 1 key

#### Sport version

Caliber	22 Long Rifle
Overall length	207 mm
Overall height	134 mm
Overall width	37 mm
Barrel length	126 mm
Rifling length	406 mm, right
Number of grooves	6
Sight base	164 mm
Weight without magazine	740 g
Magazine weight empty	50 g
Trigger pool, approx.	SA 1.8 kg DA 5.5 kg
Magazine capacity/rounds	10

### 3 Transporting the pistol

#### Warning

- For your own safety and the safety of others, always transport the pistol unloaded, decocked and closed (see Section 4.7 and 4.8).
- Never carry a pistol with you that has already been cocked and which has a round in the chamber.
- Always carry the pistol so that if you fall or slip, you always have the direction of the muzzle under control.
- Transport the pistol separate from the ammunition.
- Ensure that all applicable laws governing the transport of firearms are complied with.

### 4 Safety mechanisms

#### Warning

- Never completely trust any safety mechanism. Your pistol is equipped with effective, well designed safety mechanisms.

#### 1. Manual safety

Engaging manual safety:

Push the manual safety down fully to engage (see figure 1 part # 46). This prevents firing of the pistol.

Disengaging manual safety:

Push manual safety up fully to disengage (see figure 1 part # 46). This allows the pistol to be fired.

#### 2. Integral safety lock (key operated)

*Locking:* (see figure 4 and 5)

Pistol must be decocked. Insert key into opening at bottom rear of the grip. Push key to depress lock and rotate 90 degrees. Remove key leaving end of lock below the grip surface (see figure 5). This locking feature prevents the firing of the pistol.

*Unlocking:* (see figure 2 and 3)

Pistol must be decocked. Insert key into opening at bottom rear of grip. Push key to depress lock and rotate 90 degrees. Remove key leaving end of lock flush or even with bottom of grip (see figure 3).

### 3. Magazine safety

Removing the magazine fully from the pistol prevents the pistol from being fired. The magazine must be fully inserted into the magazine well in order to fire the pistol.



Fig. 2, decocked



Fig. 3, unlocked



Fig. 4, secured

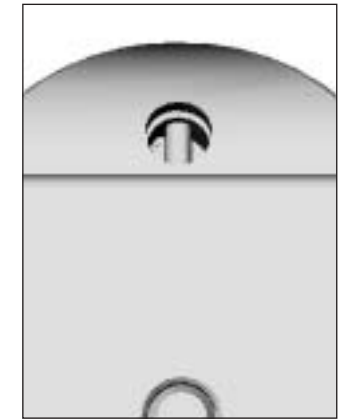


Fig. 5, locked

## 5 Handling the pistol

### 5.1 General

The pistol is generally delivered preserved with a thin, protective grease and oil coating and must be stripped before being used for the first time, protective oil or grease removed and lubricated again. "First use" (see pistol maintenance).

#### Procedure:

1. Strip pistol (see section 6.1).
2. Clean and relubricate pistol (see section 6.2).
3. Assemble pistol (see section 6.3).

### 5.2 Ammunition

#### Warning

- For your pistol, use only commercial grad ammunition in its original packing for which corresponds with the caliber of the pistol. The correct caliber is imprinted on the pistol.
- Never use reloaded, "refurbished", hand-loaded, non-standard ammunition or ammunition of a different caliber.
- Never use dirty, wet, corroded, bent, damaged or oiled ammunition.
- Never leave the ammunition lying unattended.

#### Information:

The .22 ammunition spectrum ranges from very light loads for single loader guns to sport load, utility load and on through to high speed rounds. Unfortunately, however, it is not possible to adjust a semi-automatic gun to all loads. We have therefore decided to make an adjustment to the loads that have priority for use with the MOSQUITO, which are the two major groups, utility and high-speed rounds. So to increase the round compatibility, we provide two slide springs for every pistol. The bigger bored version is designed for high-speed loads and is fitted in the pistol with delivery. The simple coiled smaller spring (marked white) is for standard loads and is supplied with the pistol.

#### Tip:

It has been proven that many types of utility rounds function more smoothly if the rounds are lightly oiled. Caution: Never oil high-speed rounds, as the pistol can unbolt too quickly while shooting.

### 5.3 Loading the magazine

#### Procedure:

1. Place load on feeder close to the magazine lips.
2. Push the side lock on the magazine down.
3. Only load the number of rounds that are to be shot (max.10 rounds).

The number of inserted rounds can be determined through the slot on the magazine.

## 5.4 Loading the pistol (ready for firing)

#### Warning

- Never load or unload the pistol inside a vehicle, inside a building or any other enclosed space (except in a designated firing range).
- Before loading always wipe off any excess grease and oil and check to see if there are any foreign objects/material in the barrel.
- Always keep the muzzle of the pistol pointed in a safe direction.
- Do not put your finger on the trigger. Keep your finger outside the trigger guard.
- Load the pistol by pushing in the magazine only directly before firing.
- Never pull the hammer back by hand, but rather with the slide to cock it so that unintentional firing is prevented.
- Never rely on the safety mechanisms alone. Safety mechanisms are not a substitute for careful and correct handling the pistol.
- Never let a loaded pistol out of your hand.

#### Procedure:

1. Point pistol in a safe direction.
  2. Insert full magazine and ensure that it is fully engaged.
  3. Pull slide back until stop and allow to fly forward.
- The pistol is loaded and ready for firing with the single action trigger.

- The pistol can now be decocked using the decocking lever. It is then loaded, decocked and ready for firing with the double action trigger.
- The pistol is decocked and ready for firing.

## 5.5 Firing

#### Warning

- Ensure that the target and surroundings allow shots to be fired without danger.
- Be certain when firing that your fingers, hands or other parts of the body are not in front of, above or beside the barrel muzzle or the ejector port.
- Never allow a third person to stand next to you where they could be hit by ejected cartridge cases.
- When shooting, always wear ear protection and protective eye glasses. Inform other people close to you about the need to wear ear protection.
- Interrupt shooting immediately and unload the pistol if you suspect that a round is not inserted correctly, a case is jammed, a round may have blocked the barrel or a shot sounds or gives the sensation that it may be "weak" or unusual.
- Never try to dislodge a blockage by firing another round.

### Procedure:

1. Aim pistol at a safe target.
2. Place finger on trigger and squeeze the trigger (activates firing).
3. Keep the pistol aimed at the target and fire further shots as required.
4. Remove magazine and unload pistol. If the magazine has been shot empty, the slide remains in the open position. Reload pistol if further shots are to be fired.

### Warning

- Double action/single action pistols are in a cocked and ready to fire status after each firing.
- If you want to interrupt the shooting, you must activate the decocking lever. The pistol is then in the loaded, decocked and ready to fire status.
- Once you decide to stop shooting yourself immediately and unload the pistol.

### 5.6 Reloading during firing

### Warning

The slide is held in the open position.

- Never let the pistol out of your hand.
- Keep the pistol aimed at the safe target.

### Procedure:

1. Remove the empty magazine.
2. Insert full magazine and ensure that it is fully engaged.
3. Push stop lever down or pull slide back until stop and allow to fly forward.

- The pistol is loaded and ready to fire.
- The pistol can also be decocked using the decocking lever.
- The pistol is now loaded, decocked and ready to fire.

### 5.7 Unloading the pistol; magazine not empty

### Warning

- Never let the pistol out of your hand before it is unloaded.
- The pistol is loaded; a round is in the chamber.
- Perform the unloading action with only two fingers from the rear.
- Never place your hand over the slide opening.

### Procedure:

1. Keep the pistol muzzle pointed in a safe direction.
2. Press the decocking lever; the hammer is held in the safety notch.
3. Press magazine catch and remove magazine.
4. Pull slide back until stop and push slide stop lever down. The round is ejected and the slide is held in the opened position.

5. Check (visually and manually with appropriate aid) to ensure that the round has been ejected and that there is no round in the chamber (see figure 3).
6. Press slide stop lever. The slide flies forward.
7. Push decocking lever down.
8. Empty magazine.
9. Pick up ejected round and clean pistol.

The pistol is unloaded and decocked.  
The pistol must be cleaned after each firing (see section 6.2).

### 5.8 Unloading the pistol; magazine empty, slide open

### Warning

- You must not let the pistol out of your hand until the magazine has been removed and the pistol is unloaded.

### Procedure:

1. Keep the pistol muzzle pointed in a safe direction.
2. Press magazine catch and remove magazine.
3. Check (visually and manually with appropriate aid) to ensure that there is no round in the chamber (see figure 6).
4. Press slide stop lever. The slide flies forward.
5. Push decocking lever down.

The pistol is unloaded and decocked.

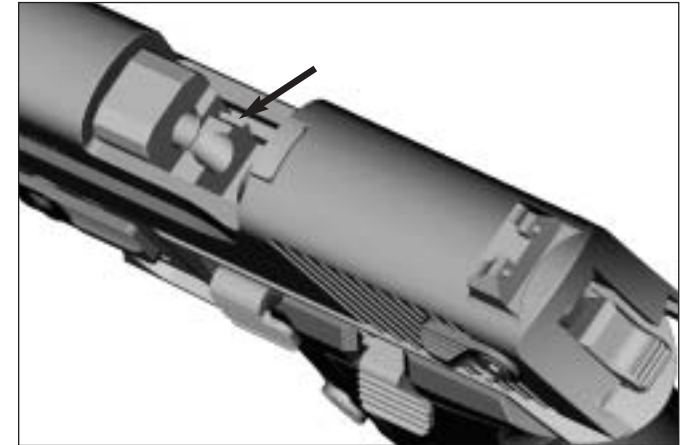


Fig. 6

## 6 Sight correction

### Notice

### 6.1 Sight correction for windage

#### Correction on rear sight

Turning the lateral adjusting screw clockwise by one rotation results in a target point differential of 8 cm at 25 m distance to the left.

Turning the lateral adjusting screw anticlockwise by one rotation results in a target point differential of 8 cm at 25 m distance to the right.

### 6.2 Sight correction for elevation

Exchanging the front sight for a lower (higher) one corresponds with a target point differential of 20 cm at 25 m distance.

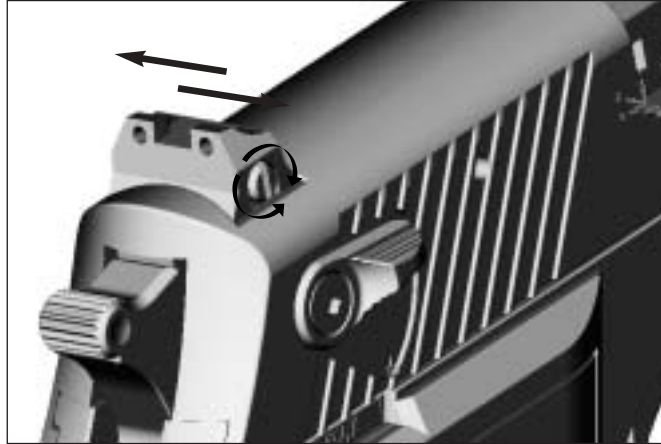


Fig. 7

## 7 Pistol maintenance

### Warning

- Magazine must be removed from the pistol.
- Before stripping your pistol for cleaning, ensure once again that it is not loaded (see section 4.7 and 4.8).
- Do not put your fingers into the slide.

### 7.1 Stripping the pistol

1. Unload pistol (see section 4.7 and 4.8).
2. Pull slide back until stop and hold the slide in the opened position by pushing up the slide stop lever.
3. Check that there is no round in the chamber.
4. Pushing down the slide stop lever and the slide forward leave in closed position.
5. Turn takedown lever by 180° until it points forward (see figure 8).
6. Pull slide right back so that the slide guide can come out; tilt the slide up and take off towards the front of the barrel (see figure 9 and 10).
7. Take off complete assembly (slide, spring guide and recoil spring) via the barrel muzzle.

### Notice

- This level of stripping is sufficient for a thorough cleaning after firing.
- Further dismantling of the pistol may only be carried out by qualified armourers and gunsmiths.

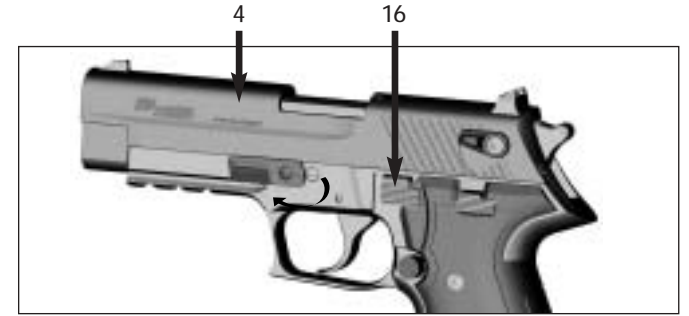


Fig. 8



Fig. 9



Fig. 10



## 7.2 Cleaning the pistol

**Notice**

- Never clean the barrel from the front and never use steel brushes, as these can damage the smooth surface of the barrel. Use suitable cleaning rod and brush of the correct caliber.
- Solvents can damage the surface of the pistol. Before using a cleaning or solvent agent, take note of the instructions and warnings provided by the manufacturer.

**Procedure:**

1. Moisten cleaning brushes with gun oil and insert into the barrel through the chamber. Carefully remove all powder residues and dirt in the barrel and chamber with the cleaning brush.
2. Free the insides of the barrel bore and chamber of powder residues and oil using cleaning cloth.
3. Clean external surfaces of the barrel with a brush that has been moistened with gun oil.
4. Wipe off frame, slide, spring guide and recoil spring guides with a cloth soaked in gun oil or grease.
5. Lightly oil barrel bore and chamber.

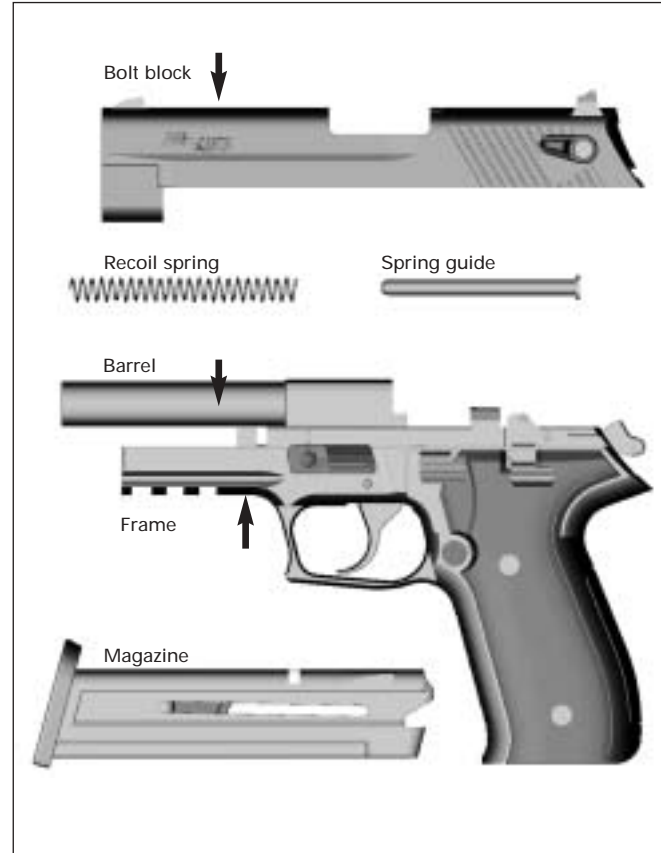


Fig. 11

## 7.3 Pistol assembly

**Procedure:**

1. Check there is no foreign matter inside the pistol.
2. Slide recoil spring onto the spring guide.
3. Insert spring guide with recoil spring into the frame.
4. Slip slide over the spring guide (Caution! frame, spring guide and recoil spring are loosely connected) and pull back until the slide guide can click into the frame guide.
5. Pull slide forward in the guide until the slide is in the locked position.
6. Turn takedown lever by 180° until it points back.

**Notice**

- The pistol is unloaded and decocked.

## 7.4 Functional check

**Notice**

The check of all functions must be made on the assembled pistol:

- to determine any causes of malfunctioning,
- after completion of repairs,
- and after each cleaning and assembly of the pistol.

**Procedure:**

1. Remove the magazine and unload pistol (see section 4.7 and 4.8).
2. Check tension of the recoil spring and ease of running of the slide.
  - Pull slide back until stop and allow to fly forward.
  - Check that the slide flicks forward with energy and locks into place.
  - Repeat check again.
3. Check double action (DA).
  - Insert empty magazine (gun has a magazine safety).
  - Pull trigger with decocked hammer.
  - Check to see if the hammer is cocked and hits home hard at the end of the trigger path and is then held in the safety notch.

4. Check trigger path and trigger interruption.
  - Insert empty magazine (gun has a magazine safety).
  - With decocked hammer and pulled through trigger, pull slide back until stop and release.
  - Check that the hammer is held back in cocked position (trigger stays pulled back).
5. Check single action trigger function (SA).
  - Insert empty magazine (gun has a magazine safety).
  - Release trigger.
  - Check that trigger bar is engaged again and that the hammer is activated by pulling again.
6. Check decocking lever function and safety notch on the hammer.
  - Cock hammer and decock with decocking lever, without touching the trigger while doing so.
  - Check that the hammer is held in the safety notch before reaching the front end position and the trigger is left in the rest position.
7. Check slide stop lever.
  - Insert empty magazine; pull slide right back and release slide.
  - Check that the slide is held in the rear end position.
  - Press slide stop lever.
  - Check that the slide is released and flies forward with force.
  - Press decocking lever. Remove magazine.
8. Check magazine.
  - Check state of the magazine tube (lips and floorplate) for signs of damage or dirt.
  - Check that magazine floorplate is properly secured.
  - Check easy running and spring action of the feeder.
  - Check easy inserting of the magazine into frame.
  - Check fault-free clicking in and out of the magazine catch.
9. Check external condition of the pistol.
  - Check front sight, rear sight, grip plates and takedown lever for damage and dirt.
  - Check firm positioning of rear and front sight and grip plates.

### 7.5 Care of the pistol

#### Notice

- Always keep your pistol clean and in good working order.
- Clean the pistol after 250 rounds, before every load change and after every use. The chamber in particular must be thoroughly cleaned.
- Never change or repair parts of your pistol yourself.
- Have your pistol checked once a year by a qualified gunsmith or armourer, as defects, wear and tear, corrosion etc. may not always be visible from the exterior.
- For repair or service work, however, we recommend that you send your pistol to the manufacturer. The manufacturer has a constant supply of replacement parts in stock.
- If you order replacement parts without returning the pistol, you are responsible for ordering the correct replacement part and its installation by a qualified gunsmith or armourer.

#### Caution

- The manufacturer and importer cannot be held liable for faults in the pistol or malfunctions if the pistol has been modified or parts that are not original parts have been fitted by third parties.

## 8 Service and repairs

### 8.1 Fault detection, fault removal

Faults can be prevented with the proper maintenance of the pistol (cleaning and inspection). Should, however, a fault occur while firing, proceed as follows:

#### Warning

- Hold the pistol pointed in the firing direction (safe direction) and take your finger from the trigger while you carry out the steps given below.
  1. Remove the magazine and deposit safely.
  2. Pull slide back until stop and hold the slide in the open position by pushing up the slide stop lever.
  3. Check (visually and manually with appropriate aid) to ensure that there is no round, bullet, case or foreign bodies in the chamber or in the barrel bore. If a bullet is lodged in the barrel bore, strip the pistol and have the bullet removed by a qualified gunsmith using the proper tools.
  4. Remove all rounds, cases or foreign bodies. Clean, grease and assemble pistol.
  5. Have pistol checked by a gunsmith or armourer.

Part/fault	Possible cause of fault/defect	Possible fault/defect removal
<b>Ammunition feed:</b> No round is fed in.	Magazine is not inserted correctly, deformed or dirty.	Insert magazine correctly or replace it.
	Pistol or rounds dirty or greased too much.	Strip, clean and lubricate pistol, clean or replace ammunition.
No round chambered.	Large (heavy) slide spring mounted and standard ammunition used.	Small (light) slide spring mounted.
	<i>Pistol defective.</i>	<i>Repair by manufacturer.</i>
<b>Slide:</b> Slide does not close properly.	Recoil not sufficient due to dirt.	Strip, clean and lubricate pistol. Replace ammunition.
	Underloaded ammunition. <i>Pistol defective.</i>	<i>Repair by manufacturer.</i>
<b>Case ejection:</b> Empty case remains in the chamber or gets stuck in ejector port.	Firing pin sticks in the firing pin guide.	Strip, clean and lubricate pistol. Have pistol checked by armourer. Load a new round with a manual loading action.
<b>Misfiring:</b> Hammer hits; no discharge.	Ammunition fault. <i>Pistol defective.</i>	<i>Repair by manufacturer.</i>

### 8.2 Safekeeping and storage of pistol

**Warning**

- Only store your pistol unloaded and cleaned.
- Keep your pistol separate from ammunition and locked away. The pistol and ammunition must always be in a place inaccessible to children and unauthorized persons.

### 8.3 Shipping the pistol

- Familiarize yourself with all laws and regulations governing shipping and transport of firearms.

1. Check pistol to ensure it is unloaded and decocked.
2. Pack the pistol well (if possible in the original packaging) so that transport damages are prevented. In order to ensure that it is not recognized as such during transport, cover the original packaging with a second outer layer. Accessories should not be included in the package.
3. Enclose a letter with the following information:
  - Your name
  - Your address
  - Your telephone number, at which you can be contacted during the day
  - A detailed description of the problems encountered or the work that is to be carried out.

4. Send the pistol insured and carriage paid (parcels with incorrect postage will not be accepted) to:

SIGARMS Inc.  
Attn: Service Department  
18 Industrial Drive  
Exeter, NH 03833/USA  
Phone 603-772-2302  
Fax 603-772-9082

Before returning the firearm contact Customer Service at (603) 772-2302 for an RMA number. Clearly mark the number on the outside of your package – this number will assist us in tracking the status of your return.

### Warranty Statement

Based on Magnuson-Moss Warranty Act, SIGARMS Inc. offers no express warranty on their product line. However, SIGARMS Inc. recognizes its obligations concerning service to owners of SIGARMS products. SIGARMS Inc. stand behind its products and will continue to provide service to their product line as they have over the years. SIGARMS Inc. products will be serviced for a period of one year from date of retail purchase, for defects in materials or workman ship, at no charge to the purchaser.

Be sure to retain your sales slip as proof of purchase date when making a claim.

9 Scope of supply

- 1 Pistol
- 1 Spare magazine
- 1 Gun case
- 1 Operating instructions
- 1 Assembly illustration
- 1 Gunlock
- 1 Drill round
- 1 SIG SAUER gun oil
- 2 Exchangeable front sights
- 1 Light slide spring
- 1 Key for internal gunlock

10 Accessories

- Case locks
- Gun oil
- Leather holsters
- Kydex holsters
- X-POINT sights
- Mount for X-POINT sights

11 Disposal

- Comply with all laws regarding disposal of handguns.
- Provided these do not contradict the abovementioned laws, the shipping of the pistol for disposal is recommended to one of the addresses named in the "Shipping" section.
- The provisions set out in the "Shipping" section must be followed when shipping the pistol.

12 List of replacement parts

Required information when ordering replacement parts

- Pistol type (caliber, description of type)
- Pistol number
- Item number
- Part designation

Item Description

- 1 Barrel block
- 2 Spring guide
- 3a Recoil spring, white (standard)
- 3b Recoil spring (high velocity)
- 4 Slide
- 5a Front sight A
- 5b Front sight B
- 5c Front sight C
- 6 Rear Sight
- 7 Slide bolt block pin
- 8 Spring for recoil spring bar
- 9 Bolt block
- 10 Extractor
- 11 Firing pin
- 12 Firing pin spring
- 13 Safety lock
- 14 Safety lock spring
- 15 Frame
- 16 Takedown lever
- 17 Striker pin for integral safety lock
- 18 Slide catch lever
- 19 Slide catch lever spring
- 20 Trigger
- 21 Trigger pivot
- 22 Recoil spring bar
- 23 Lock
- 24 Sear
- 25 Decocking lever

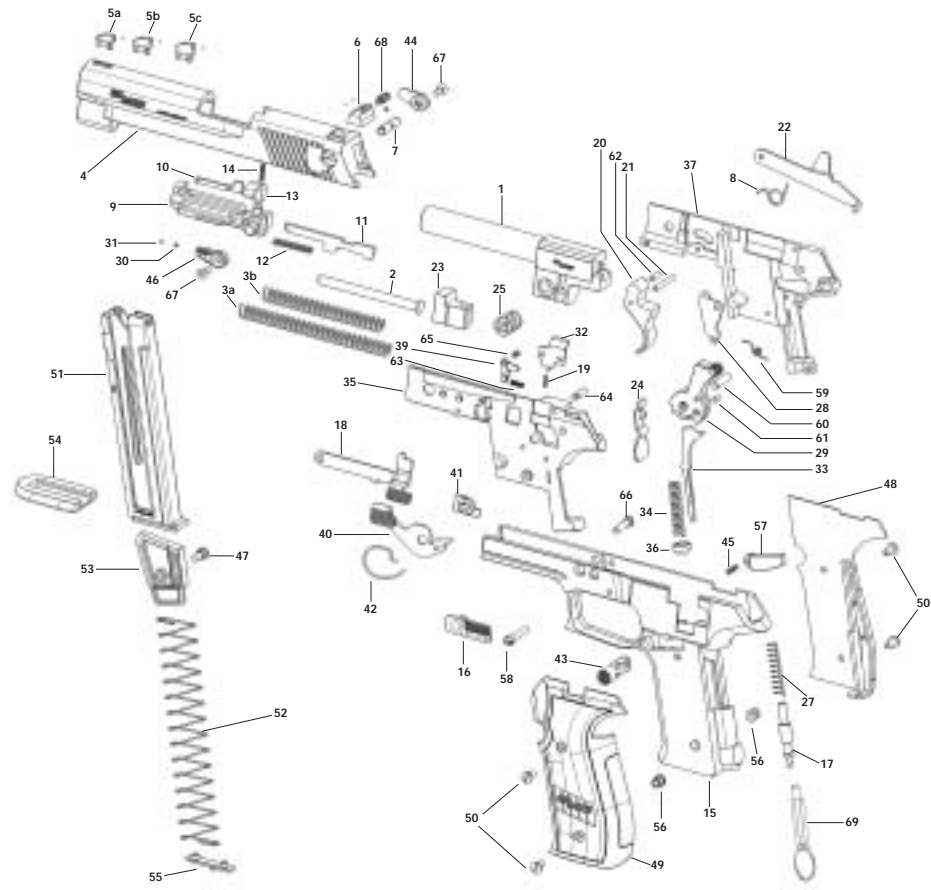
Item Description

- 26 Trigger sear fixing pin
- 27 Spring for integral safety lock
- 28 Safety lever
- 29 Hammer
- 30 Spring for safety lever
- 31 Ball for safety lever
- 32 Ejector
- 33 Hammer strut
- 34 Mainspring
- 35 Action casing half (left)
- 36 Ball centering
- 37 Action casing half (right)
- 38 Threaded pin for extractor
- 39 Magazine safety
- 40 Decocking lever
- 41 Decocking lever bearing
- 42 Decocking lever spring
- 43 Magazine catch
- 44 Manual safety, right
- 45 Magazine catch spring
- 46 Manual safety, left
- 47 Feeder axle
- 48 Grip plate, right
- 49 Grip plate, left
- 50 Grip plate screws
- 51 Magazine tube
- 52 Magazine spring
- 53 Feeder
- 54 Magazine floor plate

Item Description

- 55 Floorplate insert
- 56 Threaded socket for grip plates
- 57 Spring guide retainer
- 58 Screw for grip
- 59 Return spring
- 60 Hammer pivot pin
- 61 Pin for hammer strut
- 62 Pin for recoil spring bar
- 63 Spring for magazine safety
- 64 Safety lever pin
- 65 Axle for integral safety lock
- 66 Screw for decocking lever
- 67 Screw for safety lever
- 68 Adjusting screw
- 69 Key

# List of replacement parts



---

---

---

---

---

---

---

---

---

---

---



SIGARMS, Inc.  
18 Industrial Drive  
Exeter, NH 03833  
Ph: 603-772-2302  
Fax: 603-772-9082  
[www.sigarms.com](http://www.sigarms.com)