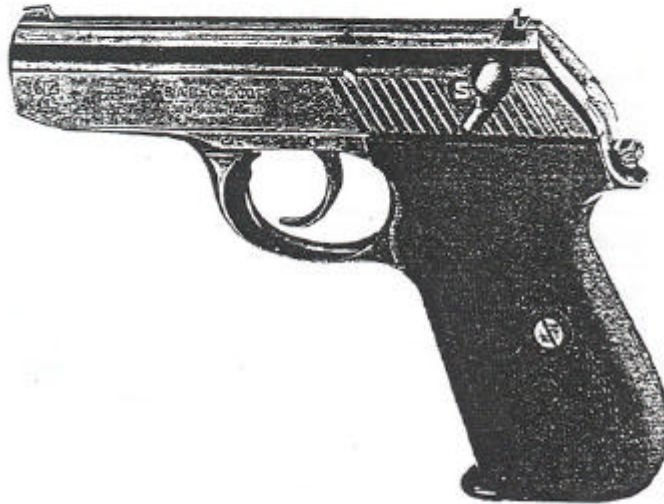




SAFETY AND INSTRUCTION MANUAL
FOR **S.A.B. - G2001** PISTOL
Manufactured by Soc. Armi Bresciane



— Instruction manual —

This instruction manual should always accompany this pistol.
Whenever you lend, give or sell the pistol, be sure the manual goes with it.

WARNING:

Read this entire Owner Manual **FIRST** before handling this firearm to insure that you understand how to safely handle it.
Failure to become familiar with your firearm by reading this manual could cause an accidental discharge resulting in property damage, serious injury or death.

CONTENTS

Safety Rules	2
Special Rules for semi-automatic pistols	4
Alteration warning	4
One Year limited warranty	5
Section I Introduction	5
Section II Function & Operation of the Weapon	6
Section III Ammunition	8
Section IV Loading & Handling of the SAB G2001	9
Section V Field Stripping of the SAB G2001 for Cleaning & Reassembly	11
Section VI Cleaning & Maintenance	14
Section VII Parts List, Exploded Views & Specifications	15

SAFETY RULES

PRECAUTIONS:

READ AND UNDERSTAND ALL THE FOLLOWING PRECAUTIONS BEFORE REMOVING THIS FIREARM FROM ITS PACKAGE. CAREFULLY READ THIS INSTRUCTION MANUAL AND PRACTICE THE FOLLOWING SAFETY CAUTIONS WHICH ARE PLACED IN THIS MANUAL BY "S.A.B. - SOCIETÀ ARMI BRESCIANE" AS AN IMPORTANT REMINDER THAT FIREARM SAFETY IS YOUR RESPONSIBILITY. IF THIS FIREARM IS CARELESSLY OR IMPROPERLY HANDLED, UNINTENTIONAL DISCHARGE COULD RESULT AND COULD CAUSE INJURY, DEATH, OR DAMAGE TO PROPERTY. YOUR SAFETY AND THE SAFETY OF THE OTHERS (INCLUDING YOUR FAMILY) DEPENDS ON THE DEGREE OF SERIOUSNESS BY WHICH YOU ACCEPT THE RESPONSIBILITIES THAT COME WITH THE OWNERSHIP OF YOUR FIREARM.

CAUTIONS:

1. Always handle your firearm as if it were loaded, so that you never fire it accidentally when you think it is unloaded.
2. Never point a firearm at anyone, or in any direction other than a SAFE direction, i.e., downrange, so that if it fires accidentally, injury, death, or damage to property will be prevented. This is especially important when loading and unloading a firearm.
3. Keep your finger off the trigger when unloading, loading, and until you are ready to shoot.
4. Firearm should be unloaded when you do not mean to fire it. Firearm should only be loaded when you are at the target range or in the field ready to shoot, not before.
5. Never take anyone's word that a firearm is unloaded; check for yourself with fingers off the trigger and firearm pointed in a SAFE direction.
6. Watch out for barrel obstructions! Before loading and firing your firearm, open the action and check that no live round or any possible obstruction is in the chamber or in the barrel. Firing into an obstructed barrel could burst the barrel resulting in possible injury or death to shooter or bystanders.
7. Be sure that the ammunition you are using is clean, dry, original high quality ammunition loaded by a reputable factory and it is not damaged in any way. Be sure you are using the correct ammunition of the proper gauge for your firearm. Ammunition which is too small can fall forward and stick in the barrel causing an obstruction.

8. Always be sure your backstop is adequate to stop and contain bullets before beginning target practice if you are in a shooting range. If you are in a field hunting do not shoot unless you exactly know where your bullet or shot is going to strike and do not fire at a noise or a movement.
9. Never give to or take a firearm from anyone unless the action is open.
10. Before firing any firearm unfamiliar to you, make sure that you understand how it functions. Unfamiliarity can cause serious accidents. Attend a certified training course on any firearm which you intend to use or with you are not sufficiently familiar.
11. Wear hearing protection and eye protection when shooting your firearm and encourage others to wear ear and eye protection when shooting, especially on a range; also wear eye protection when disassembling and cleaning any firearm to prevent foreign objects from contacting your eyes.
12. Keep your hands and fingers away from the muzzle to avoid injury or burns.
13. Never drink alcoholic beverages or take drugs before or during shooting, as your vision and judgement could be seriously impaired making your firearm handling unsafe to you and/or others.
14. If you are taking medication, always seek a doctor's advice to be sure you are fit to shoot and handle your firearm safely.
15. Never walk, climb or follow a companion with your firearm cocked ready to fire, to eliminate risk of accidental discharge; keep the action of your firearm open while negotiating an obstacle until it has been safely overcome.
16. Never shoot at a hard surface such as rock, or a liquid surface such as water. A bullet may ricochet and travel in any direction to strike you, another person or an object you cannot see, causing injury, death, or damage to property.
17. Always store your firearm and ammunition separately, out of reach and sight of children, to minimize the risk of firearm and ammunition being easily available for loading and firing.
18. Never leave a loaded firearm unattended. Someone unfamiliar with the use of firearms and ammunition, especially a child, may fire it and cause injury, death, or damage to property.
19. Always teach children to respect firearms. If you choose to teach your children to shoot, the safety instruction becomes your responsibility. Make sure they learn to handle and treat firearms properly, and always supervise them closely. Repeatedly stress safety so that they will not fire the firearm when it is unsafe to do so.

20. Always carry your firearm unloaded; firearms must be unloaded before being placed in vehicles whether they are in gun cases or other containers.

REMEMBER

A FIREARM HAS THE CAPABILITY OF TAKING YOUR LIFE OR THE LIFE OF SOMEONE ELSE! BE CAREFUL WITH YOUR FIREARM – AN ACCIDENT IS ALMOST ALWAYS THE RESULT OF NOT FOLLOWING BASIC SAFETY RULES.

SPECIAL RULES FOR HANDLING SEMI-AUTOMATIC PISTOLS

1. The risk of accident is greatly increased when any semi-automatic pistol is carried with a cartridge in the chamber. This practice is not recommended and may be justified only under circumstances of clear and present danger, when the pistol may have to be used rapidly for self-defense. The only safe procedure when carrying a pistol is to leave the chamber empty.
2. If you must carry a semi-automatic pistol with a cartridge chambered, always lower the hammer to the uncocked position. If your pistol is equipped with a hammer lowering lever, use the lever (not the trigger) to uncock the hammer. If your pistol is equipped with a manual safety, always ease the hammer down; never let it snap down as it will cause the pistol to fire. Furthermore, never carry a manual-safety pistol with a chambered round unless the safety is "ON". Leave it "ON" until your pistol is pointed down range and you are ready to begin firing.
3. On semi-automatic pistols, as with the G2001, it is possible to lower the hammer to a "half-cocked" position. Do not use this feature as a safety! It is not designed or suitable for that purpose. The "half-cocked position" serves only to prevent unintentional firing in case of internal malfunction or should your thumb slip off the hammer during manual cocking.

ALTERATION WARNING

S.A.B. SOCIETÀ ARMI BRESCIANE will not be held responsible for the alteration of any part of this firearm, or for the addition or substitution of parts or accessories not manufactured by S.A.B. SOCIETÀ ARMI BRESCIANE. This product is designed to function properly in its original condition. Any change made to this product is hazardous. We therefore expressly do not authorize any modification. Thus, any alteration, modification, addition, or substitution, voids any responsibility or warranty, stated or implied, by S.A.B. SOCIETÀ ARMI BRESCIANE.

ONE YEAR LIMITED WARRANTY

All S.A.B. firearms are warranted to the original retail customer for one year from the date of purchase, against defects in material and workmanship. Transportation to and from our repair facilities, damage caused by failure to perform normal maintenance, damage due to use of high velocity, high pressure, reloaded or other non standard ammunition, or by any unauthorized repair, modification, misuse, abuse, or alteration of the product is not covered by this limited warranty.

This warranty does not cover:

- service required because of normal use or wear of any part;
- bluing finish on the metal parts and wood parts of the weapon;
- the barrels, for which the certificate of the National Proof House is sufficient warranty of robustness and strength to standard ammunition for which this firearm was originally chambered.

SECTION I INTRODUCTION

The S.A.B. G 2001 is a .380 ACP (9mm short) semi-automatic pocket pistol for police use and self-defense entirely made of forged and milled steel. Main features of this blowback handgun are: double action, staggered magazine, anatomically correctly formed grip plates, flawless reliability, compact overall dimensions and snag-free shape.*



* S.A.B. G 2001-13 rounds in the magazine

SECTION II

FUNCTION AND OPERATION OF THE WEAPON

1. DOUBLE ACTION: with a round chambered and the hammer lowered, a steady pull on the trigger will cock and release the hammer in one operation, as when firing a double-action revolver. Subsequent shots may be fired in single-action mode, as with traditional automatic pistols. In the rare instance of misfire due to a faulty primer, the hammer will remain lowered and the trigger will be set for double-action, and it is sufficient to pull the trigger again to repeat the double-action mode, hitting the primer once more, and firing the round.

2. SLIDE STOP: upon firing the last round, the slide stop engages the slide, thus holding the slide open in its rear position. The empty magazine may now be withdrawn.

- To continue firing, insert a loaded magazine; pull slide back and let it snap forward. The pistol is now ready to fire again.

- To discontinue firing, without the empty magazine, pull back the slide completely and let it snap forward.

WARNING: USE CARE WHEN HANDLING - KEEP YOUR FINGER AWAY FROM THE TRIGGER.

3. SAFETIES: the G 2001 has no magazine safety, so the pistol may be fired with the magazine removed. The hammer has an half-cock notch that engages the sear to prevent the hammer from falling forward unintentionally. In this way it provides insurance against continuous uncontrolled automatic fire in the unlikely event of primary hammer sear notch failure. This also prevents the hammer from striking the firing pin should your hand slip while cocking the pistol, provided the hammer is rotated past the half cock notch.

WARNING: do not carry the pistol with the hammer in the half-cocked position as this not a safe carrying method.

The pistol has a slide mounted manual safety that can be engaged with the hammer cocked or with the hammer down. When the red dot is visible and the safety lever in the forward position the pistol is ready to fire (OFF safe). Flipping the safety lever ON (safe) the firing pin will be blocked and

OFF SAFE



ON SAFE



its head fitted into a recess and out of alignment with the hammer. The safety DOES NOT drop the hammer and DOES NOT disengage the trigger from any part of the mechanism. When the pistol is set to "safe", to uncock the hammer press the trigger and slowly ease the hammer forward past the half-cock position. The safety must be engaged before loading and unloading the pistol, never carry the pistol with a chambered round unless the safety is on.

4. **GRIPS:** the grip plates of the G2001 are anatomically correctly formed, they give ideal hand seating angle and comfortable grip dimensions that permit rapid, accurate instinctive shooting. In spite of the staggered magazine, the grip is no more thick than that of a pistol with single line magazine.

5. **STAGGERED MAGAZINE:** the double column magazine of the S.A.B. - G 2001, which is no longer than traditional magazines, holds 13 rounds.

WARNING: DO NOT USE REMANUFACTURED AMMUNITION OR RELOADED AMMUNITION.

WARNING: DO NOT ATTEMPT TO LOAD MORE THAN THE PREDESCRIBED NUMBER OF ROUNDS INTO THESE MAGAZINES. DO NOT ALTER THE SHAPE OF THE MAGAZINE HOUSING OR THE FOLLOWER. DO NOT LENGTHEN OR ALTER MAGAZINE SPRING. TO DO SO MAY CAUSE MALFUNCTION OF THE SYSTEM OR THE MAGAZINE MAY NOT SEAT OR FEED PROPERLY.

6. **MAGAZINE RELEASE:** the S.A.B. - G 2001 magazine release button is located on the left side of the frame just to the rear of the trigger guard. It can be used by pressing the button downwards with the thumb of the shooting hand.



SECTION III AMMUNITION

AMMUNITION WARNING NOTICE: SOC. ARMI BRESCIANE, SPECIFICALLY DISCLAIMS ANY RESPONSIBILITY FOR ANY DAMAGE OR INJURY THAT SHOULD OCCUR BECAUSE OF, OR AS A RESULT OF, THE USE OF FAULTY, REMANUFACTURED, OR RELOADED AMMUNITION (HAND LOADED), OR OF CARTRIDGES OTHER THAN THOSE FOR WHICH THIS PISTOL WAS ORIGINALLY CHAMBERED IN THE S.A.B. G 2001 .380ACP, ALSO KNOWN AS 5mm SHORT OR 9x17mm FOR PISTOLS.

WARNING: FIREARM DAMAGE, DEATH OR SERIOUS INJURY TO THE SHOOTER OR OTHER PERSONS MAY RESULT FROM EXCESSIVE PRESSURE OR UNCONTROLLED RELEASE OF GASES CAUSED BY CHAMBER OR BORE OBSTRUCTION, POWDER OVERLOAD, DEFECTIVE OR IMPROPERLY LOADED/ ASSEMBLED CARTRIDGE COMPONENTS. IT IS EXTREMELY DANGEROUS TO USE AMMUNITION WITH PRESSURES EXCEEDING SAAMI STANDARDS. EVEN THE STRONGEST FIREARM CANNOT WITHSTAND EXCESSIVE PRESSURE.

The following guide lines should be considered when selecting the correct ammunition for your pistol:

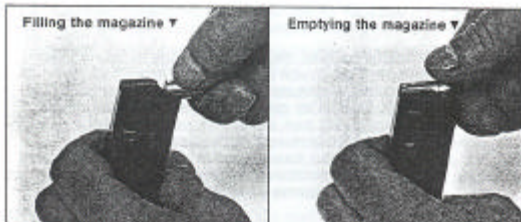
1. Be sure the ammunition you have chosen is compatible with your weapon – proper caliber, bullet weight.
2. Prior to loading the magazine and chamber, carefully inspect all cartridges for the following abnormalities:
 - a) Cracked or split cases
 - b) Improperly seated bullets and primers
 - c) Damaged bullets**IMPROPERLY LOADED AMMUNITION CAN CAUSE DAMAGE TO THE PISTOL AND/OR INJURY TO THE SHOOTER OR BYSTANDERS.**
3. Do not attempt to fire a round in which the projectile has been forced back into the case. This condition, upon firing, may result in increased chamber pressure above safe limits.

SECTION IV

LOADING AND HANDLING OF THE S.A.B. G2001

1. LOADING MAGAZINE

Hold the magazine in one hand with the thumb sitting on top of the lips. With the other hand place a round on the follower in front of the lips and press down and to rear. For easier loading place the thumb of the hand holding the magazine on the rim of the cartridge and apply pressure on the cartridge while pushing the cartridge into the magazine. To insert subsequent rounds, press down on the cartridge already in the magazine with your thumb and repeat the process. To empty, slide the cartridges towards the open side of the magazine.



2. LOADING OF THE PISTOL

CAUTION: DO NOT PLACE YOUR FINGER ON THE TRIGGER UNTIL YOU ARE READY TO FIRE.

2.1 Loading with the slide forward;

Flip the safety lever SAFE (down);

Place the loaded magazine completely into the magazine well and insure that the magazine catch engages properly.

Always have the muzzle of the pistol pointed in a safe direction, keeping the finger off the trigger. Pull the slide all the way to the rear and release it to load the chamber.

2.2 Loading with slide locked to rear;

Flip the safety lever SAFE (down);

Insert a loaded magazine fully into the magazine well and pull the slide slightly further to the rear and let the slide snap forward. To chamber silently lead the slide forward.

CAUTION: WHEN LOADING THE PISTOL WITH THE SLIDE LOCKED TO THE REAR, BE SURE THAT YOUR FINGER IS NOT ON THE TRIGGER.

3. FIRING OF THE S.A.B. G2001

To fire the loaded pistol, flip the safety OFF SAFE (up): the pistol is now ready to fire in the single-action mode (hammer cocked). Align the sights onto the target and pull the trigger, releasing the cocked firing pin. If you want to uncock the hammer start ALWAYS WITH THE SAFETY ON, pull the trigger and ease the hammer down. Flip the safety OFF and you can fire your first shot double-action.

WARNING: ALWAYS FLIP THE SAFETY LEVER TO SAFE WHEN LOADING, UNLOADING AND CARRYING THE PISTOL WITH A ROUND IN THE CHAMBER AND THE HAMMER LOWERED. NEVER CARRY THE PISTOL WITH THE HAMMER COCKED, EVEN IF THE SAFETY IS ON.

CAUTION: DO NOT PLACE YOUR FINGER ON THE TRIGGER UNTIL YOU ARE READY TO FIRE.

NOTE: With the safety in the ON position (the letter S is visible):

1. The hammer is prevented from striking the firing pin. The firing pin will be blocked and its head lifted into a recess and out of alignment with the hammer.
2. The safety DOES NOT drop the hammer and DOES NOT disengage the trigger from any part of the mechanism. When the pistol is set to SAFE, to uncock the hammer press the trigger and slowly ease the hammer forward past the half-cock position.

4. RELOADING WHEN THE MAGAZINE IS EMPTY

After the last round has been fired the slide will remain open. To continue firing, simply exchange the empty magazine for a full one. Pull slide back and let it snap forward. The pistol is now ready to fire again.

CAUTION: WHEN LOADING THE PISTOL WITH THE SLIDE LOCKED TO REAR, BE SURE THAT YOUR FINGER IS NOT ON THE TRIGGER. DO NOT PLACE YOUR FINGER ON THE TRIGGER UNTIL YOU ARE READY TO FIRE.

5. UNLOADING THE S.A.B. G2001

The following steps should be taken when unloading your pistol.

- a. Keep the muzzle in a safe direction and finger off the trigger.
- b. Remove the magazine by pressing the magazine release lever downwards.
- c. Pull the slide to the rear, which will eject any chambered round.
- d. Inspect the chamber to insure the pistol is cleared.
- e. Pull the slide slightly further to the rear and let the slide snap forward.
- f. Store pistol in a safe place, away from children. (It is not necessary to store the pistol with the slide in rearward position).

SECTION V

FIELD STRIPPING OF THE S.A.B. G 2001 FOR CLEANING AND REASSEMBLING

For field stripping the following steps should be carried out:

- Fig. 1: a. Flip the safety ON.
b. Remove magazine.
c. Cock the hammer.
d. Pull the slide several times and inspect chamber to assure that pistol is not loaded.
- Fig. 2: e. With your thumb nail or the blade of a screwdriver press down the barrel latch situated in the rear surface of the trigger guard.
f. Push the slide forward and move it back and up out of the receiver guide.
- Fig. 3: g. Barrel and slide will come out together. To remove the barrel from the slide push it forward; when the extractor clears the extractor groove, the barrel can be lifted clear.

WARNING: THE RECOIL SPRING, WRAPPED AROUND THE BARREL, IS COMPRESSED AND COULD FLY OUT.

CAUTION: FURTHER DISASSEMBLY OF THE PISTOL IS NOT RECOMMENDED.

FIELD STRIP



Fig. 1



Fig. 2



Fig. 3

REASSEMBLING OF THE S.A.B. G 2001

- a) Put the safety on.
- b) Mount recoil spring onto the barrel.
NOTE: The recoil spring is slightly cone-shaped; mount the recoil spring onto the barrel from the side where the spring diameter is smaller. Improper assembly may cause malfunction. (Fig. 4).
- c) Insert the barrel with the recoil spring into the slide at a slight angle. Push the barrel forward through the front hole in the slide, compressing the recoil spring, until the chamber face clears the breech face and the extractor.
- d) Cock the hammer.
- e) Place the slide on the receiver so that the two front ribs are above the cut-out in the receiver. Drop, press and pull back to stop. (Fig. 5).

NOTE: The pistol cannot be disassembled or assembled if the safety is OFF and the hammer is uncocked.

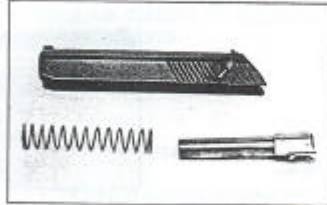


Fig. 4



Fig. 5

SECTION VI CLEANING AND MAINTENANCE

After each individual weapon has been tested by the National Proof House, we subject it to a rigid test for operation and accuracy. Only then will it leave our factory. It is in the interest of the bearer to maintain readiness of the weapon, as if the pistol must be used, it is usually to protect life and property. If you want to be able to depend on having a pistol that is ready to fire at all times, you should not spare the effort required to give it the necessary care and maintenance.

The smokeless propellant and rustpreventative primers, which are used without exception today, leave little residue behind thus making cleaning easier.

The service life and performance of your pistol depend upon correct handling and proper care.

A. After every shooting, the following procedure is recommended for cleaning.

CAUTION: BEFORE FIELD STRIPPING THE PISTOL FOR CLEANING, REMOVE MAGAZINE AND INSURE THAT YOUR WEAPON IS UNLOADED!

1. Field strip the pistol.
2. Remove visible dirt, moisture and propellant residues.
3. Soak a cloth patch in solvent, and insert it, with the cleaning rod, into the barrel from breech end, pushing it back and forth several times.
4. Then, pass a bore brush a few times.
5. Dry the barrel thoroughly by pushing a clean cloth patch into the barrel with the cleaning rod.
6. Lightly oil the barrel, inside and outside.
7. Clean the slide with a cloth soaked in solvent, paying particular attention to the slide head, slide rails and extractor housing.
8. Lightly oil the slide inside and outside.
9. Clean the recoil spring.
10. Clean the frame and lightly oil the rails.
11. Reassemble the gun and wipe off all excess oil with a clean cloth.
12. Manually function test the pistol.

To clean the pistol, avoid gun oils which dry out, leaving a resinous sticky film on the gun which may impair its proper functions.

CAUTION: NEVER APPLY ANY CLEANING FLUIDS OR OILS TO AMMUNITION. THESE PRODUCTS CAN SEEP INTO CARTRIDGE CASES & CONTAMINATE POWDER OR PRIMING COMPOUNDS RESULTING IN MISFIRES.

NOTE: PUTTING THE GUN IN THE CASE, MAKE SURE THE GUN IS PERFECTLY DRY AND THERE ARE NO MOISTURE OR WATER DROPS ON IT. IF THE GUN IS PUT IN THE CASE WHEN IT IS WET, IT WILL CAUSE OXIDATION OF THE METAL PARTS IN A FEW HOURS.

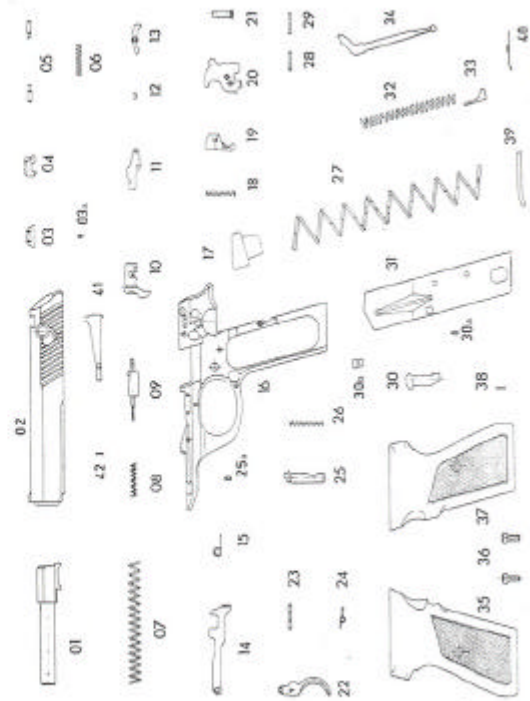
SECTION VII

PARTS LIST

Item Designation	Item Designation
1 Barrel	25 Barrel latch
2 Slide	25a Barrel latch screw
3 Rear sight	26 Barrel latch spring
3a Rear sight screw	27 Magazine spring
4 Extractor	28 Hammer spring stirrup pin
5 Extractor spring plungers (2)	29 Sear pin
6 Extractor spring	30 Magazine catch
7 Recoil spring	30a Magazine catch plunger
8 Firing pin spring	30b Magazine catch spring retaining plate
9 Firing pin	31 Magazine housing
10 Safety	32 Hammer spring
11 Ejector	33 Hammer spring stirrup retainer
12 Ejector, spring pin	34 Hammer spring stirrup
13 Guide lever	35 Right grip plate
14 Trigger bar	36 Grip plate screws (2)
15 Trigger bar spring	37 Left grip plate
16 Frame	38 Magazine catch spring
17 Magazine follower	39 Magazine floorplate
18 Sear spring	40 Magazine floorplate latch
19 Sear	41 Slide-stop
20 Hammer	42 Slide-stop spring
21 Hammer pin	
22 Trigger	
23 Trigger pin	
24 Trigger pin spring	

NOTE: Spare slide and/or spare frame are not supplied. Only complete assembled magazine is supplied as spare part.

EXPLODED VIEW



SPECIFICATIONS: SAB G2001

Caliber	380 (9x17 mm.) (9 mm. short)
Feed	Straight magazine for 13 rounds
Rifling	6 grooves R/H pitch
Trigger	S/A, D/A
Hammer	exposed spur
Front sight	steel blade
Rear sight	dovetailed to the slide
Safeties	inertial firing pin - half cock notch - slide mounted manual safety that blocks the firing pin and lifts its head out of alignment with the hammer (the manual safety does not drop the hammer).
DIMENSIONS:	
Overall length	6.50 in. (165 mm.)
Height of pistol	4.80 in. (122 mm.)
Width across grips	1.18 in. (30 mm.)
Length of barrel	3.62 in. (92 mm.)
Sight radius	4.76 in. (121 mm.)
WEIGHT:	
Pistol with empty magazine	approx. 26.8 oz. (760 g.)

Your dealer's stamp	Serial No. _____
	Weapon Type: _____ Date of purchase: _____

Società Armi Bresciane S.r.l.
 Via Artigiani, 91/93 - 25063 GARDONE V.T. (BS) Italy
 Tel. (030) 891640 or 891648 - Telex (030) 8912180

IMPORTANT-DO NOT DISCARD
KEEP THIS MANUAL WITH YOUR FIREARM

UPON CHANGE OF OWNERSHIP TRANSFER
THIS MANUAL WITH THE FIREARM



S.A.B. - Società Armi Bresciane s.r.l.
Via Artigiani, 93
25063 GARDONE V.T. (Brescia) Italy

IMPORTER

E.A.A. Corporation
3855 North U.S. Highway 1
Cocoa , Florida 32927