

INSTRUCTION MANUAL FOR

BLUED &
STAINLESS
STEEL

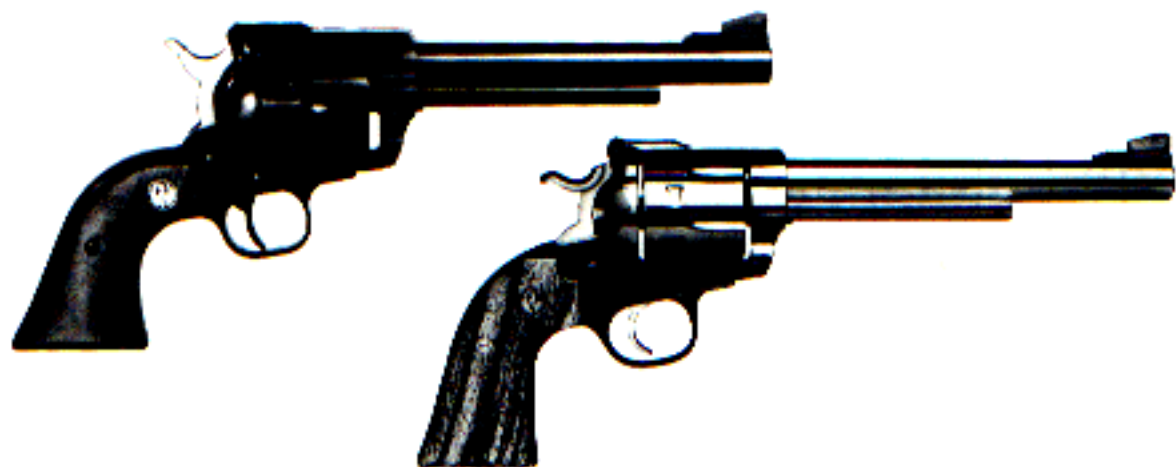


CALIBERS
.357 Magnum,
.30 Carbine, .38/40,
.41 Magnum, .44 Magnum,
.44/40 & .45LC

RUGER®

NEW MODEL BLACKHAWK®, SUPER BLACKHAWK®, BISLEY, HUNTER & VAQUERO®

SINGLE ACTION REVOLVERS



**READ THE INSTRUCTIONS AND
WARNINGS IN THIS MANUAL CAREFULLY
BEFORE USING THIS FIREARM**

**For Product Service on this Model Please Call:
(603) 863-3300 (See p. 22)**

**STURM, RUGER & Company, Inc.
Southport, Connecticut 06490 U.S.A.**

THIS INSTRUCTION MANUAL SHOULD ALWAYS ACCOMPANY THIS FIREARM AND BE
TRANSFERRED WITH IT UPON CHANGE OF OWNERSHIP, OR WHEN THE FIREARM IS LOANED OR
PRESENTED TO ANOTHER PERSON.

MRN, KMRN & BMRN/10-97 R2

FIREARMS SAFETY-YOUR RESPONSIBILITY

SAFETY MUST BE THE FIRST AND CONSTANT CONSIDERATION OF EVERY PERSON WHO HANDLES FIREARMS AND AMMUNITION.

This Instruction Manual is designed to assist you in learning how to use and care for your **RUGER® NEW MODEL BLACKHAWK®, BISLEY** or **VAQUERO®** revolver properly. Please contact us if you have any questions about it.

Only when you are certain you fully understand the Manual and can properly carry out its instructions should you practice loading, unloading, etc. with live ammunition. If you have any doubts about your ability to handle or use a particular type of gun safely, then you should seek supervised instruction.

Such personalized instruction is often available from gun dealers, gun clubs or police departments. If none of these sources can help you, write to the National Rifle Association, 11250 Waples Mill Road, Fairfax, VA 22030-7400. They will assist you.

The person with a gun in their possession has a full-time job. You cannot guess; you cannot forget. You must know how to use your firearm safely. **Do not use any firearm without having a complete understanding of its particular characteristics and safe use.**

Remember: There is no such thing as a foolproof gun.

TABLE OF CONTENTS

	Page
General Information and Mechanical Characteristics	4
Ammunition	8
Handling	10
To Load and Fire	11
To Uncock (Decock) The Revolver	12
To Remove or Replace Cylinder	13
To Unload or Eject Cartridge Cases	13
Disassembly	15
Reassembly	16
Care and Cleaning	18
Care of Stainless Steel Revolvers	19
Attaching Ruger Scope Rings	20
Sights	21
Service and Parts Policy	22
Parts Drawing	31 - 34
The Basic Rules of Safe Firearms Handling	35
Warranty Information	40

“Ruger”, “Blackhawk” and “Vaquero” are registered U.S. trademarks.

! WARNINGS OF GREAT IMPORTANCE ARE FOUND ON THE FOLLOWING PAGES:

Alterations	4	Disassembly	14
Lead Exposure	8	Lubrication	19
Ammunition	10	Parts Purchasers	23
Handling	10	Malfunctioning Parts	24
Firing	11		

OTHER CAUTIONS AND WARNINGS APPEAR THROUGHOUT THE MANUAL.

**FIREARMS ARE DANGEROUS WEAPONS—
READ THE INSTRUCTIONS AND WARNINGS IN THIS
MANUAL THOROUGHLY AND CAREFULLY BEFORE USING.**

! WARNING—ALTERATIONS



This product was designed to function properly in its original condition. Alterations can make it unsafe. Do not alter any part or add or substitute parts or accessories not made by Sturm, Ruger & Co. Inc.

DO NOT ALTER ANY GUN

GENERAL INFORMATION AND MECHANICAL CHARACTERISTICS

The mechanism of the **RUGER® NEW MODEL BLACKHAWK®** differs significantly from that of any other single action revolver. The information and instructions which follow apply only to the New Model Blackhawk® revolver.

The **RUGER® NEW MODEL BISLEY** revolver has many of the features of the New Model Blackhawk revolvers with certain important differences, such as the hammer, trigger and grip frame. The **RUGER® NEW MODEL BLACKHAWK® HUNTER** is a .44 magnum single action revolver designed especially for the handgun hunter. A heavier, solid ribbed barrel cut for the patented Ruger scope mounting system distinguishes this model. The **RUGER® VAQUERO®** and **BISLEY-VAQUERO** have fixed sights and either a "color case hardened" or polished stainless steel finish which evokes the classic single actions of yesteryear.

*In this manual the words **NEW MODEL BLACKHAWK®** refer to the **NEW MODEL BLACKHAWK®, NEW MODEL SUPER BLACKHAWK®, RUGER BISLEY,** and **VAQUERO®** Revolvers which all utilize the same Ruger New Model mechanism.

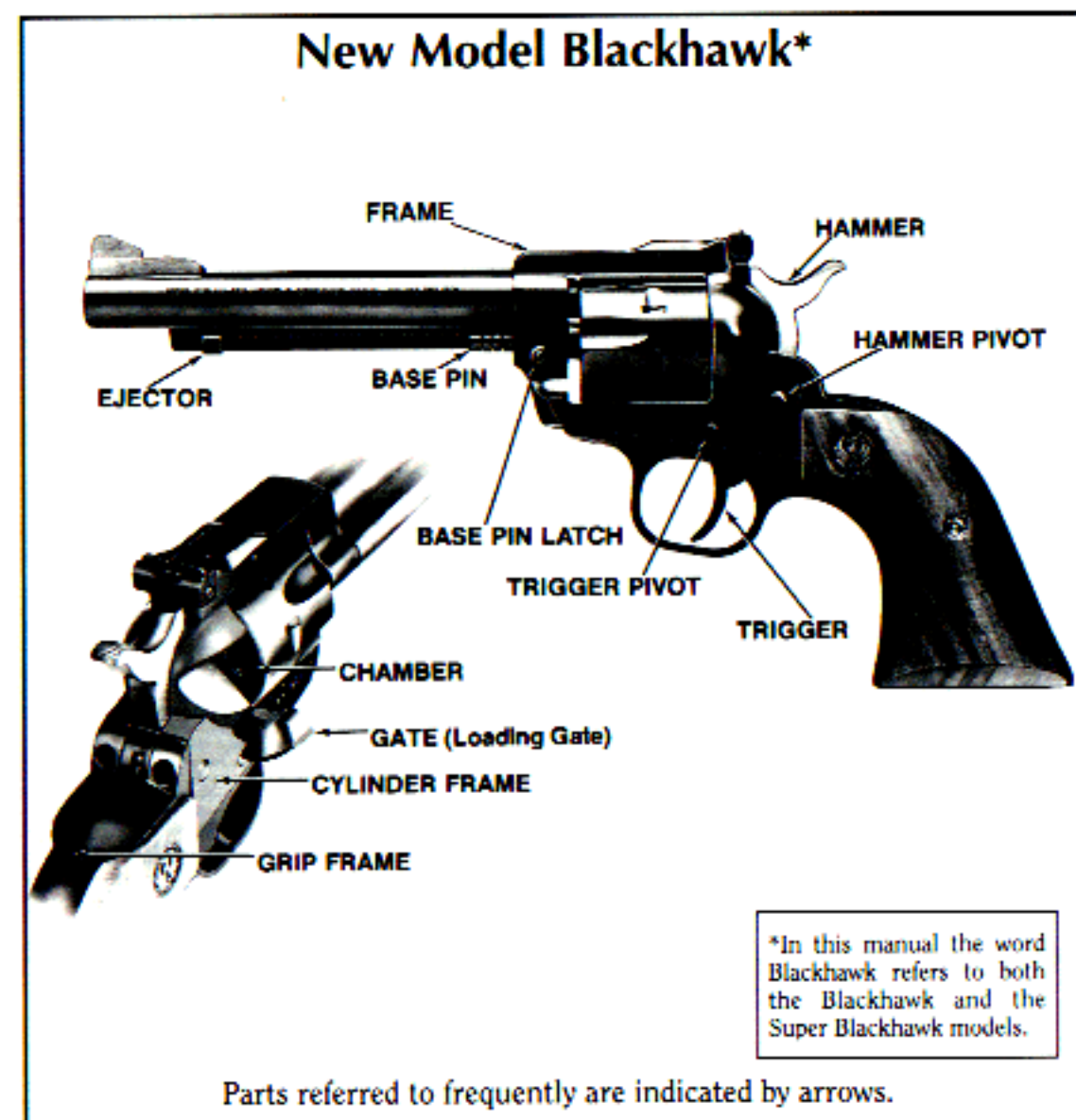
The New Model mechanism incorporates a transfer bar. The transfer bar – which is raised into firing position as the trigger is pulled to the rear – transmits the energy of the hammer blow to the firing pin. This transfer bar mechanism makes a "safety" notch unnecessary.**

The gate (loading gate) can be opened only when the hammer and trigger are fully forward. Opening the gate immobilizes the trigger, hammer, and transfer bar. When the gate is opened the cylinder is unlatched and can be turned for loading or ejection. When the gate is closed, the cylinder latch functions in the normal manner. The loading notch is therefore unnecessary in the New Model design.

Unlike the earlier single action revolvers which have four hammer positions – "cocked," "loading," "safety" and "all the way forward" – the New Model has only two hammer positions – "cocked" and "all the way forward."***

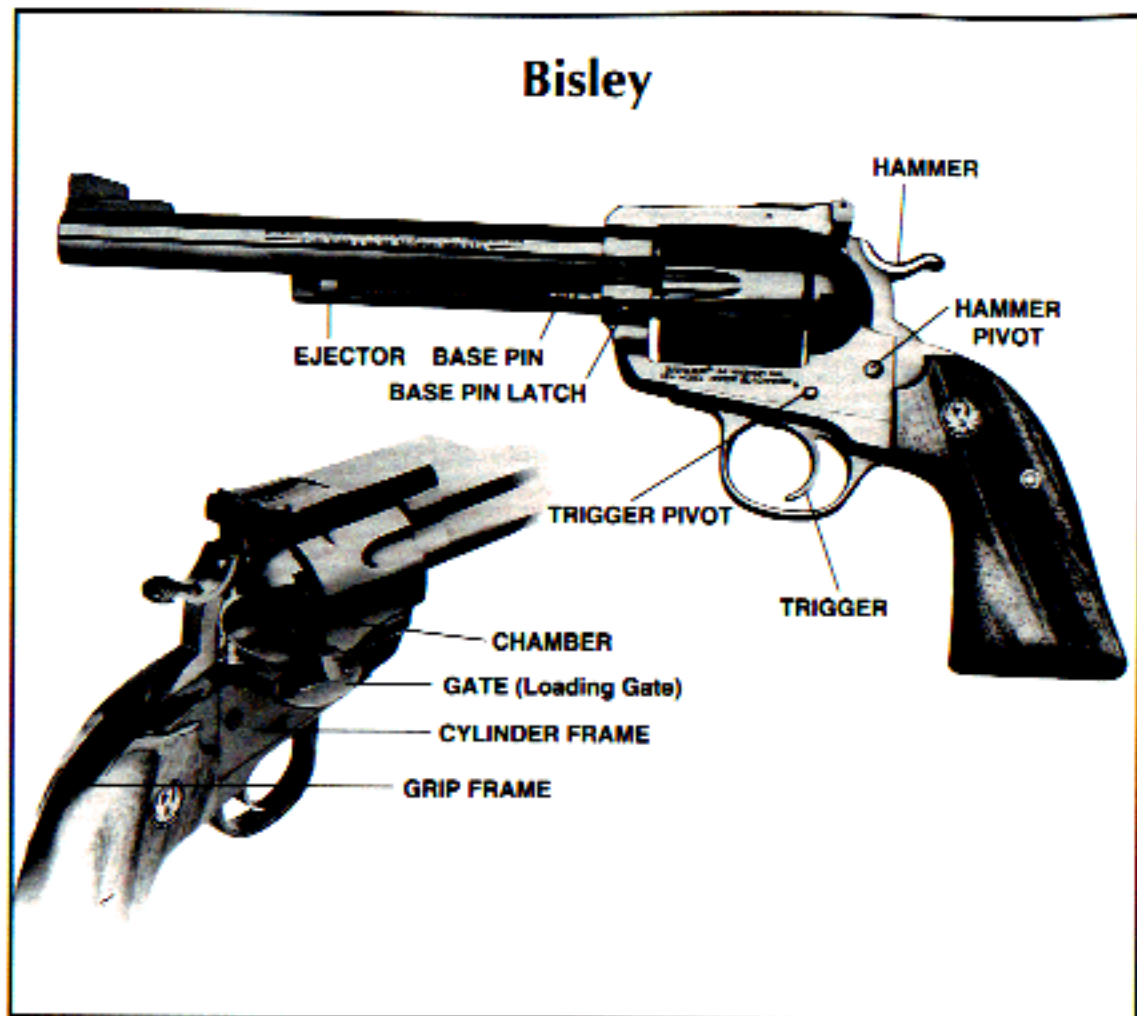
**Owners of "old model" (pre-1973) Ruger Single Action Revolvers should write for details concerning our important free safety conversion.

NOMENCLATURE



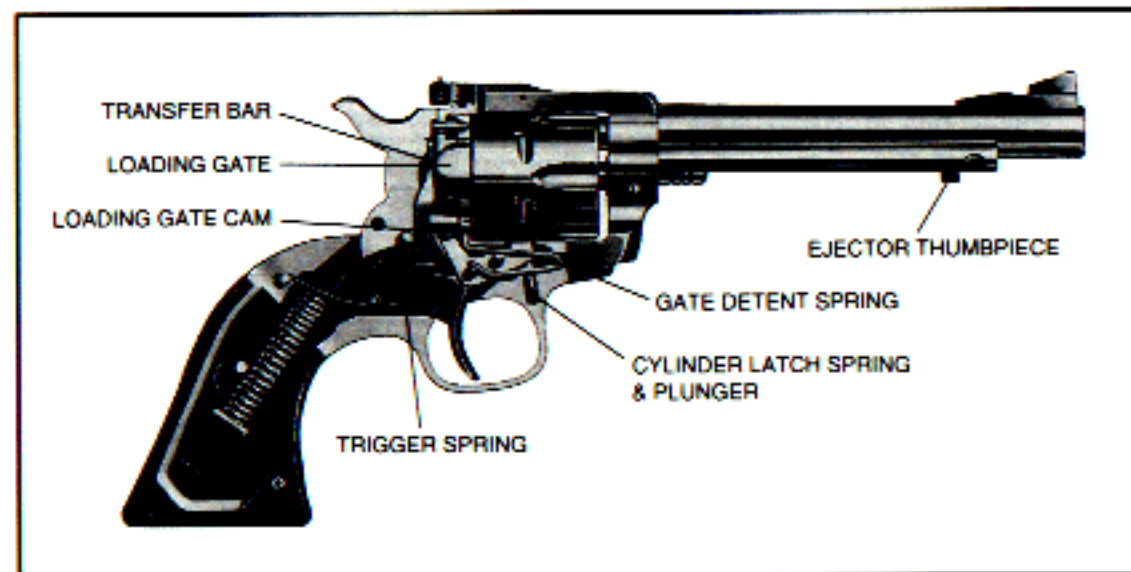
NOMENCLATURE

Bisley



The mechanism of the **RUGER® NEW MODEL BLACKHAWK® & BISLEY** provides maximum security against accidental discharge. As with any other firearm, however, the New Model must be used with strict attention to correct safety practices. In addition, the revolver should be inspected frequently to assure that it is working properly.

The Ruger New Model revolver mechanism is illustrated below. The same basic mechanism is found in the entire line of Ruger New Model single action revolvers – Single-Six, Blackhawk, Super Blackhawk, Bisley, Vaquero and Hunter Models.



Mechanism shown at rest. Transfer bar is not in line between hammer and firing pin. This is the carrying position.

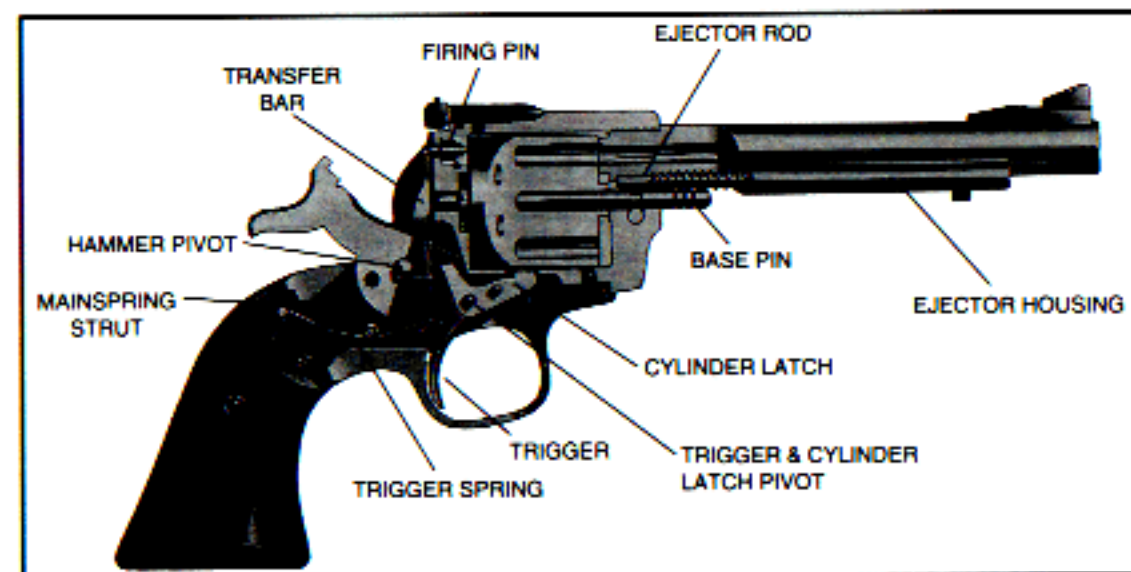
⚠ CAUTION—NUMBERED CYLINDERS

00-00345

Do not accept delivery of a Blackhawk Convertible (a model with two cylinders) unless the numbers on the front face of both cylinders match the last three digits of the serial number on the frame. Use of the wrong cylinder can cause improper alignment or timing and may result in personal injury.

A Blackhawk revolver (including the Super Blackhawk) manufactured with a single cylinder does not have the last three digits of the serial number marked on the cylinder.

**CYLINDERS
MUST MATCH GUN**



Mechanism shown with trigger pulled and hammer beginning to fall. Transfer bar is in firing position, between hammer and firing pin.

AMMUNITION

The table below shows the correct type of ammunition for use in each of the revolvers listed. Where two cartridges are shown on the same line, they may be used interchangeably.

Model	Caliber	Ammunition
Blackhawk Convertible	.32-20/.32 Mag	.32-20 reg. & high speed .32 H&R & .32 S&W in Extra Cyl.
Blackhawk, Bisley	.357 Magnum	.357 Mag and .38 SPL
Blackhawk Convertible	.357 Mag/9mm	.357 Mag and .38 SPL 9mm in Extra Cyl.
Blackhawk	.30 Carbine	.30 Carbine
Blackhawk, Bisley	.41 Magnum	.41 Magnum
Blackhawk, Bisley, Vaquero & Bisley-Vaquero	.45 Colt	.45 Colt
Blackhawk Convertible	.45 Colt/45 Auto.	.45 Colt; .45 Auto. in Extra Cyl.
Super Blackhawk, Hunter, Blackhawk, Bisley, Vaquero & Bisley-Vaquero	.44 Magnum	.44 Mag. and .44 SPL
Blackhawk Convertible	.38-40/10mm	.38-40 reg. & high speed 10mm in Extra Cyl.
Super Blackhawk Convertible	.44-40/.44 Mag	.44-40 reg. & high speed .44 Mag & .44 SPL in Extra Cyl.
Vaquero	.44-40	.44-40 reg. & high speed

Notes on Cartridges listed in the table above: .357 Mag is 357 Magnum. .38 SPL is .38 Special. 9 mm is 9 mm Parabellum, also called 9mm Luger. .45 Colt is also called .45 Long Colt. .45 Auto. is .45 Automatic and is also called .45 ACP. .44 Mag is .44 Magnum. .44 SPL is .44 Special.

Notes on the .32-20/.32 Magnum Convertible: The .32-20/.32 magnum revolver is supplied with one .32-20 cylinder and one .32 H&R magnum cylinder. The .32-20 cylinder can fire all .32-20 factory loaded cartridges, both regular and high speed. No other .32 caliber cartridge should be used in this cylinder, as split cases can result in hot powder gasses escaping rearward under very high velocity. The .32 H&R Magnum cylinder can fire all factory loaded .32 S&W and .32 S&W long cartridges. The use of other than .32 H&R Magnum cartridges may, in some loadings, result in unsatisfactory accuracy.

Notes on the .38-40/10mm Blackhawk Convertible: Ruger New Model Convertible revolvers using the cylinder chambered for the .38-40 cartridge can use all factory loadings of this ammunition both regular and high speed. Do not use any other ammunition in the .38-40 cylinder. Revolvers using the cylinder chambered for the 10 mm pistol cartridge can use all factory loadings of this ammunition both regular and high speed. Do not use any other ammunition in the 10 mm cylinder.

Notes on the .44-40/44 mag Super Blackhawk Convertible: Ruger New Model Super Blackhawk convertible revolvers using the cylinder chambered for the .44-40 cartridge can use all factory loadings of this ammunition both regular and high speed. Do not use any other ammunition in the .44-40 cylinder. The .44 mag. cylinder can use all factory loadings of the .44 magnum cartridges and .44 special cartridges.



Notes on Revolvers Chambered for 9 mm or .30 Carbine: Because 9 mm cartridges are manufactured worldwide for use in pistols, revolvers, and submachine guns, it is possible to encounter cartridges which, when fired, develop pierced primers. If this occurs, discontinue the use of the particular brand or type of ammunition. The possibility of a pierced primer is another compelling reason why a shooter should always wear protective glasses to shield his eyes. Use only metal jacketed bullets in 9 mm and .30 Carbine revolvers. When a lead bullet is fired, its base expands and a ring of lead is shaved off and deposited in the shoulder area of the chamber. A build-up of lead rings can prevent proper chambering of cartridges because 9 mm and .30 Carbine cartridge mouths seat on the chamber shoulders.

When firing a regular .30 Carbine cartridge with a metal jacketed bullet, a ring of brass is sometimes clipped from the mouth of the cartridge case. This ring can lodge in the chamber shoulder and prevent full chambering of a subsequent cartridge. For the reasons noted above, revolver chambers should be cleaned regularly and chamber cleaning should be the first corrective action when cartridges do not chamber properly.

WARNING - LEAD EXPOSURE

Discharging firearms in poorly ventilated areas, cleaning firearms, or handling ammunition may result in exposure to lead and other substances known to the state of California to cause birth defects, reproductive harm, and other serious physical injury. Have adequate ventilation at all times. Wash hands thoroughly after exposure.

SHOOTING OR CLEANING GUNS
MAY EXPOSE YOU TO LEAD

! WARNING – AMMUNITION	
	<p>Death, serious injury, and damage can result from the use of wrong ammunition, bore obstructions, powder overloads, or incorrect cartridge components. <u>Always</u> wear shooting glasses and hearing protectors.</p>
	<p>IMPROPER AMMUNITION DESTROYS GUNS</p>

AMMUNITION (CARTRIDGES) NOTICE

WE SPECIFICALLY DISCLAIM RESPONSIBILITY FOR ANY DAMAGE OR INJURY WHATSOEVER OCCURRING IN CONNECTION WITH, OR AS THE RESULT OF, THE USE IN RUGER REVOLVERS OF FAULTY, OR NONSTANDARD, OR "REMANUFACTURED" OR HANDLOADED (RELOADED) AMMUNITION, OR OF CARTRIDGES OTHER THAN THOSE FOR WHICH THE FIREARM WAS ORIGINALLY CHAMBERED.


HANDLING

CARRYING: Unlike "old model" single action revolvers, which should always be carried with the hammer down on an empty chamber to prevent accidental discharges caused by a blow to the hammer, the Ruger New Model Blackhawk & Bisley may be carried with all chambers loaded. When the hammer and trigger are fully forward at the same time, the transfer bar is lowered out of firing position and the hammer rests directly on the frame, not on the firing pin.



! WARNING – HANDLING	
	<p>Any time the revolver is loaded, the hammer is cocked and the trigger is pulled and held to the rear, it will fire. Cocking the gun or pulling the trigger should only be done when you are ready to fire immediately.</p> <p>NEVER DROP OR STRIKE ANY REVOLVER – COCKED OR UNCOCKED. CARRY AND HANDLE THE REVOLVER IN SUCH A MANNER THAT THE HAMMER WILL NOT BE STRUCK.</p>
	<p>NEVER CARRY ANY REVOLVER WITH THE HAMMER COCKED.</p>

TO LOAD AND FIRE

1. **Do not load the revolver until you are ready to use it.**
2. Note – The loading gate cannot be opened unless the hammer and trigger are fully forward, and the hammer cannot be cocked once the gate is opened.
3. Open the gate. This permits the cylinder to rotate.
4. Turn cylinder clockwise, by hand, and insert cartridges in chambers.
5. Align a chamber with the barrel and close the gate. The revolver is now in its normal carrying condition – hammer and trigger fully forward and transfer bar lowered out of firing position.
6. Cocking – To fire the revolver, the hammer must first be manually cocked. When cocking the hammer, have a firm hold on the grip with the shooting hand, and **DO NOT TOUCH THE TRIGGER WHILE COCKING THE HAMMER. TOUCH THE TRIGGER ONLY WHEN YOU ARE READY TO FIRE.** With the fore portion of your thumb firmly on the hammer spur, draw the hammer fully to the rear until it stops. Then permit the hammer to move forward (it will only move slightly) until the trigger engages in the hammer at full cock.
7. Firing – Once the hammer has been cocked, a light pressure on the trigger will disengage the trigger from the hammer. The hammer will fall forward striking the transfer bar and the revolver will fire.

	<p>CAUTION: The recoil of any centerfire caliber causes the muzzle of the gun to flip upward with substantial force. The shooter need not be apprehensive, but be prepared. Keep a firm grip on the revolver and hold it away from your face when firing.</p>
--	---

8. After firing, the hammer will remain down. To fire subsequent shots, fully release the trigger and repeat steps 6 & 7 above for each shot.

! WARNING – FIRING	
	<p>When firing any revolver, be sure all persons are a safe distance to the rear of the shooter. When fired, all revolvers discharge gas and particles through the clearance gap between the cylinder and the rear of the barrel. These particles of lead, powder grains or lubricant are projected broadly sideways at high speed and thus can injure a person who is standing too close to the revolver. When firing any revolver, always be certain that nothing – including either of your hands – is in the path of the hot gas and particles which are discharged from the front and sides of the cylinder. When shooting, adequate eye protection is essential. Shooters and bystanders must wear shooting glasses. Hearing protection must also be worn. Exposure to shooting noise can damage hearing.</p>
	<p>HOT GASES EXIT BARREL/CYLINDER GAP</p>

DRY-FIRING: Going through the actions of cocking, aiming, and pulling the trigger of an unloaded gun is known as “Dry Firing.” It can be useful to learn the “feel” of your revolver. Be certain the revolver is unloaded and that the gun is pointing in a safe direction even when practicing by dry-firing. The Ruger New Model revolvers can be dry-fired without damage to the firing pin or other components.

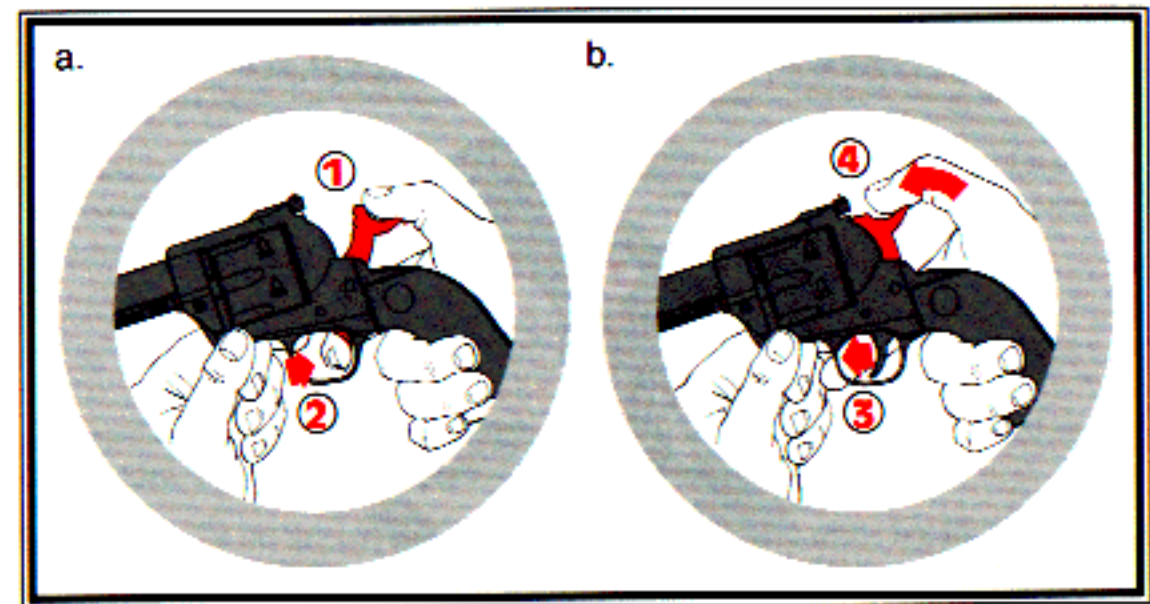
“FANNING”: NEVER fan any revolver. Fanning is an unsafe way to fire a gun and it is abusive to the revolver mechanism.

TO ‘UNCOCK’ (DECOCK) THE REVOLVER

If your revolver is cocked, and you wish to let the hammer down to its forward position (against the frame), proceed as follows: **USE EXTREME CARE WHEN ATTEMPTING TO DECOCK THE REVOLVER, AS THE THUMB SLIPPING DURING THIS PROCESS CAN RESULT IN AN ACCIDENTAL DISCHARGE IF THE TRIGGER IS HELD TO THE REAR.**

1. Make certain that the revolver is pointing in a safe direction (See Rule 2, Page 35).
2. Make certain both hands are dry and not impeded in any way—gloves, bandages, cold, etc.
3. Grasp the revolver (if right handed) so that the thumb and forefinger of your left hand are firmly holding the frame, forward of the trigger guard. Thus, your left hand is in full control of the revolver (See Figure a, Page 13).
4. Place your right thumb firmly on the hammer spur and, with your thumb securely in control of the hammer, squeeze the trigger only enough to permit the hammer to ‘break free’ of the trigger. At that instant, **IMMEDIATELY RELEASE THE TRIGGER** and then slowly permit the hammer, **STILL SECURE UNDER YOUR THUMB**, to move fully forward to its resting position against the frame. **NOTE:** It is imperative that finger pressure be removed from the trigger just as soon as it is free of the hammer. Then, properly, the trigger and hammer will move towards their fully forward rest positions together (See Figure b, Page 13).

Practice this important gun handling skill with an unloaded revolver until you have developed the proper control and ‘touch’ to decock your revolver safely. The key to safe decocking is having the weight of the revolver controlled with one hand, while the thumb and forefinger of the ‘shooting hand’ control the hammer and trigger.



DECOCKING (UNCOCKING) THE REVOLVER

- a. With the thumb controlling the hammer as shown above, (1) squeeze trigger to permit hammer to ‘break free’ (2).
- b. When hammer is free, **IMMEDIATELY** release trigger (3). Then lower hammer slowly to its resting position completely down against frame (4).

TO REMOVE OR REPLACE CYLINDER

WARNING: Never attempt to remove or replace a loaded cylinder.

1. Open the gate. This lowers the cylinder latch into the frame.
2. Press base pin latch (on left side) and withdraw base pin.
3. Remove cylinder from loading gate side of frame.

To replace cylinder, simply reverse the above procedure. Holding the gun with the barrel pointed away from you and in a safe direction, rotate the cylinder 1/4 turns in a clockwise direction to ensure that pawl is correctly positioned on cylinder ratchet, before replacing base pin. Finally close the gate.

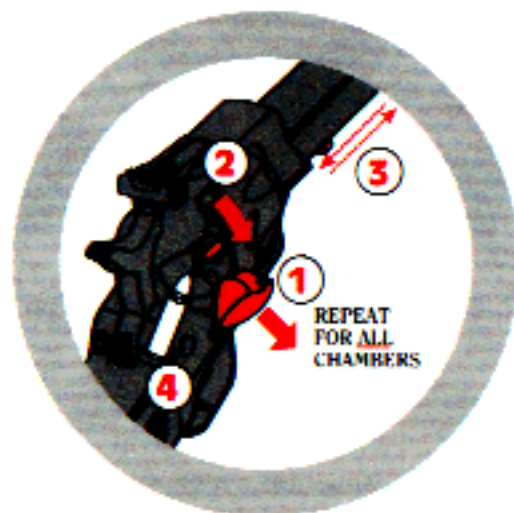
TO UNLOAD OR EJECT CARTRIDGE CASES

(Keep revolver pointed in a safe direction!)

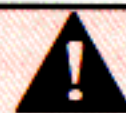
If the hammer is cocked, it must first be decocked. (See instructions above.) Then:

1. Open the gate. This permits the cylinder to rotate.
2. Turn cylinder clockwise, by hand, to align a chamber with the ejector rod.
3. Push the ejector rod rearward, by means of the thumb-piece on its forward end, so that it slides through the chamber to push out the cartridge or fired case. Release spring-loaded ejector rod. Repeat until all chambers are empty.
4. Check to be certain that all cartridges have been removed, then close the gate.

CORRECT UNLOADING SEQUENCE



Do not eject unfired cartridges onto any surface where the cartridge primer might strike a solid object and discharge the cartridge.



WARNING – DISASSEMBLY



Never clean, lubricate, disassemble or work on a revolver while it is loaded. Never install or remove a loaded cylinder. A loaded cylinder can discharge if dropped or struck. Read instructions before disassembling gun.

UNLOAD BEFORE CLEANING

The user of a **RUGER® NEW MODEL SINGLE ACTION** revolver should carefully read all disassembly directions and study all the illustrations and the Parts List in this manual before attempting to take the gun apart. Know the names and location of the parts before removing any of them. Although the **NEW MODEL** revolver mechanism is composed of only a few parts, it is essential that the disassembly and reassembly operations be carried out with knowledge and care.

Only a few tools are required: A screwdriver or two to remove the grip panel and grip frame screws, and a drift punch to remove the hammer and trigger pivots (pins). A small plastic-faced hammer can be useful in drifting the trigger pivot out and in.

The tip of the screwdriver blade should perfectly fit the grip frame screw slots. A tip too large will scrape away metal, while too small a tip will damage the screw slots.

Before taking the gun apart, set up to do it properly. Cover the work surface with a soft cloth so that the gun finish (and sights) will not be damaged, and provide a tray into which the parts can be put as they are removed from the gun.

DISASSEMBLY

(Make Sure Revolver is Unloaded!)

1. Open the gate and rotate the cylinder a few times to be certain the revolver is unloaded. Leave the gate open.
2. Press in fully on the left side of the base pin latch, and while holding it in that position, withdraw the base pin. Remove the cylinder and close the gate. This is as far as you need to go for routine cleaning.

DETAILED DISASSEMBLY:

1. Remove grip panel screw and remove grip panels.
2. Draw hammer rearward to full cock position. Insert a short length (about 1") of nail or pin into the small hole at the lower end of the hammer strut. (The purpose of the pin is to confine the mainspring when the hammer is released.)
3. While maintaining thumb pressure on the hammer spur, squeeze the trigger and ease hammer down to full forward position.
4. Remove the five screws which fasten the grip frame to the cylinder frame.
5. Pull the grip frame rearward and downward to separate it from the cylinder frame. (If the grip frame does not readily separate from the cylinder frame, draw the hammer rearward a short distance.) Remove the mainspring assembly from the grip frame, but do not remove the small pin that is confining the mainspring. The mainspring assembly will later be reassembled into the frame as it is.

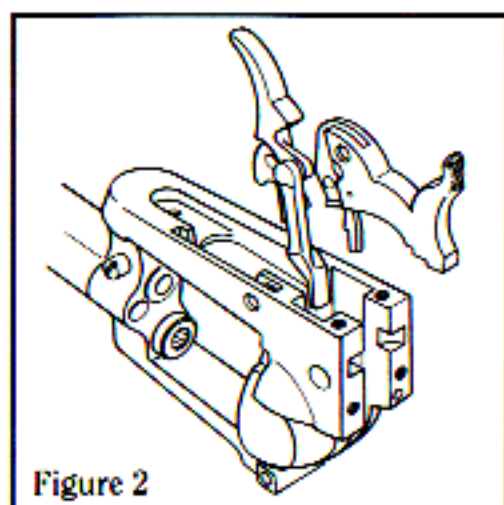
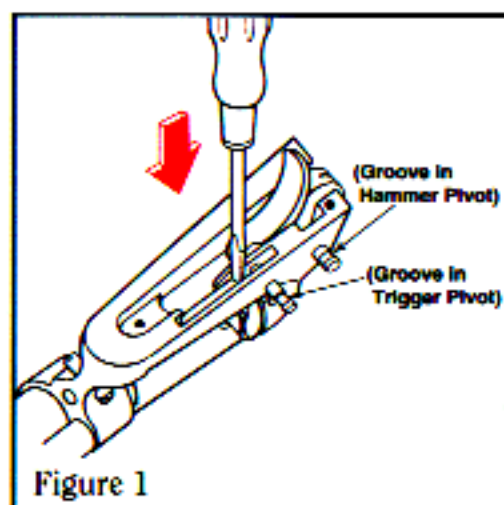
Do not 'lose' the pawl spring and plunger (located in a hole in the rear of the left side of the cylinder frame, just above the grip frame screw hole) or the cylinder latch spring and plunger (located in the hole above front of the trigger guard bow in the grip frame).

6. Remove the trigger pivot (pin) as follows: using a screwdriver as shown in Figure 1, p. 16, depress the gate detent spring so that the end of the spring which rests in one groove of the trigger pivot is free of the groove. Then, use a drift and hammer to push the pivot completely out of the frame.



CAUTION: Press the screwdriver blade tip against the spring carefully and be certain the blade does not slip off the spring and damage the frame or injure the person holding the gun.

- Remove cylinder latch, gate detent spring, and gate.
- Remove hammer pivot. Then remove the hammer/pawl assembly and the trigger/transfer bar assembly. (Note that the hammer is attached to the pawl and the transfer bar is attached to the trigger. See Figure 2).



The revolver is, at this stage, disassembled as far as it needs to be for major cleaning and maintenance. However, if it is necessary to go beyond the above steps, the following cautions and suggestions should be useful:

Ejector/Ejector Housing: Wrap one hand firmly around barrel and housing when loosening the screw. Remove screw, then carefully lift housing (which contains compressed spring and ejector rod) away from the barrel.

Base Pin Latch/Nut and Spring: The nut must be held firmly (with jaw-protected pliers) while the latch is being unscrewed. Don't lose the spring. When reassembling, be certain the nut and spring are on the left side of the frame. (See Parts Drawing).

Rear Sight: The rear sight can be removed from the frame by drifting out the pivot pin (MR05600) and removing the elevation screw (MR05902). Unless it is essential, the rear sight should not be removed because there is the risk of losing the very small elevation springs. If the sight is removed, when reassembling it is helpful to put a very tiny dab of lubricating gun grease in the recesses of the sight base. The grease will 'hold' the springs upright when the sight is positioned on the frame as the rear sight pivot pin is being reinstalled.

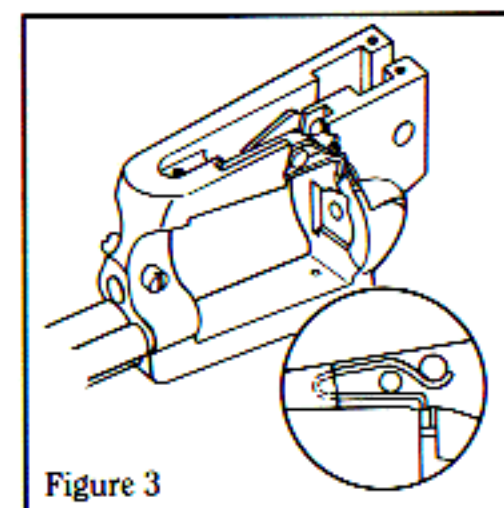
REASSEMBLY

(Make Sure Revolver is Unloaded!)

- Assemble pawl to hammer and transfer bar to trigger as shown in Figure 2. Partially insert hammer/pawl assembly in its recess in the frame. Insert trigger/transfer bar assembly in its slot in the frame. Then simultaneously complete insertion of the two assemblies into the frame.
- (Refer to Figure 1). Align hammer in frame and insert hammer pivot with the grooved end of the pivot on the gate side of the frame. (The long screw, XR01901, when also inserted on the gate side, will intersect the groove and lock the pivot in place. See step number 11, p. 18).

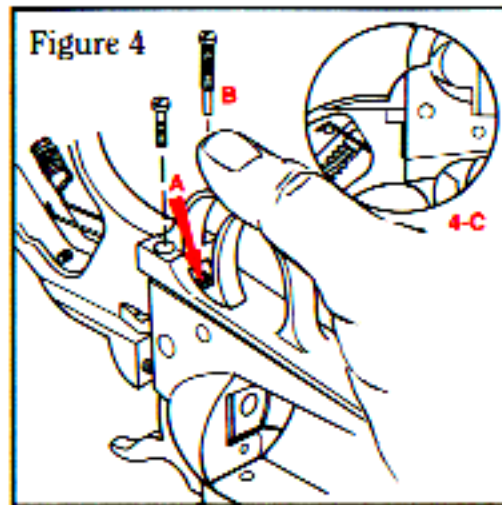
- Replace cylinder latch and gate detent spring as shown in Figure 3. Note that the lug on the cylinder latch fits between the arms of the gate detent spring and that the end of one of the arms of the spring is formed at a 90 degree angle. The projection thus formed, is designed to fit through the square hole in the bottom of the frame and to ride on the cam surface of the gate pivot. Note also that this projection holds the loading gate back and in place.

- (Refer to Figure 1, p. 16). Depress the upper arm of the gate detent spring with tip of screwdriver blade and install trigger pivot. Pivot should be inserted from the gate side of the frame. The non-grooved end of the pivot should be inserted first. (It may be necessary to manipulate the trigger, the gate detent spring, and the cylinder latch to align them to receive the trigger pivot).



- Insert the base pin, taking care to be certain the 'dished out' section of the base pin collar is adjacent to the bottom of the barrel. *The base pin must be fully inserted and locked in position by the base pin latch. If the base pin is not fully inserted and locked, the transfer bar may catch under the firing pin when the hammer is being cocked.*
- (Refer to Figure 4, p. 18). Unhook the ends of the trigger spring (XR03700) from the grooved retaining pin on both sides of the grip frame.
- Insert cylinder latch spring and plunger in hole in grip frame. (The spring goes in first so that the plunger is on top).
- Insert pawl spring and plunger (plunger goes in the hole first) in the hole in the left side of the cylinder frame just above the left rear grip screw hole.
- Install mainspring assembly in the grip frame. Be certain the strut is positioned properly. See the Parts Drawing for correct strut positioning.
- (Refer to Figure 4, p. 18). Draw hammer to the rear slightly and place the grip frame loosely on the cylinder frame. Before pushing the grip frame forward to mate with the cylinder frame, be certain that:
 - the cylinder latch plunger (XR07700) is positioned so that it will contact the bottom of the cylinder latch (rather than either side of the latch),
 - the pawl spring is aligned to contact the left 'ear' of the grip frame (and not be bent as the ear contacts it).

11. See Figure 4, and note the end of the trigger spring (the arrow marked "A"). This end of the spring must be depressed so that it slides under the rear portion of the trigger when the grip frame is forward. With all the above springs and plungers aligned, fully mate the grip frame and cylinder frame and install the five grip frame screws. Note that the long screw (XR01901) should go in the grip frame hole on the gate side (Figure 4-B) of the revolver.
12. Hook the two ends of the trigger spring over the pin (KXR06300) as shown in Figure 4-C.
13. Be certain the mainspring strut seat is correctly positioned on its step in the grip frame. Then, draw the hammer back to the full cock position and remove the small pin from the mainspring strut. Pull trigger and allow hammer to fall.
14. Open the gate, withdraw base pin and install the cylinder. Reinsert the base pin and be certain it is fully seated and locked in position.
15. Before loading cartridges into the chamber, cycle the revolver several times. Check to be sure that cylinder rotates and locks correctly, that trigger returns in a positive manner when released, and that loading gate opens and closes normally.



CARE AND CLEANING

Always be certain the revolver is completely unloaded before cleaning. At regular intervals or when the revolver has been exposed to sand, water or other adverse conditions, disassemble, clean and oil it.

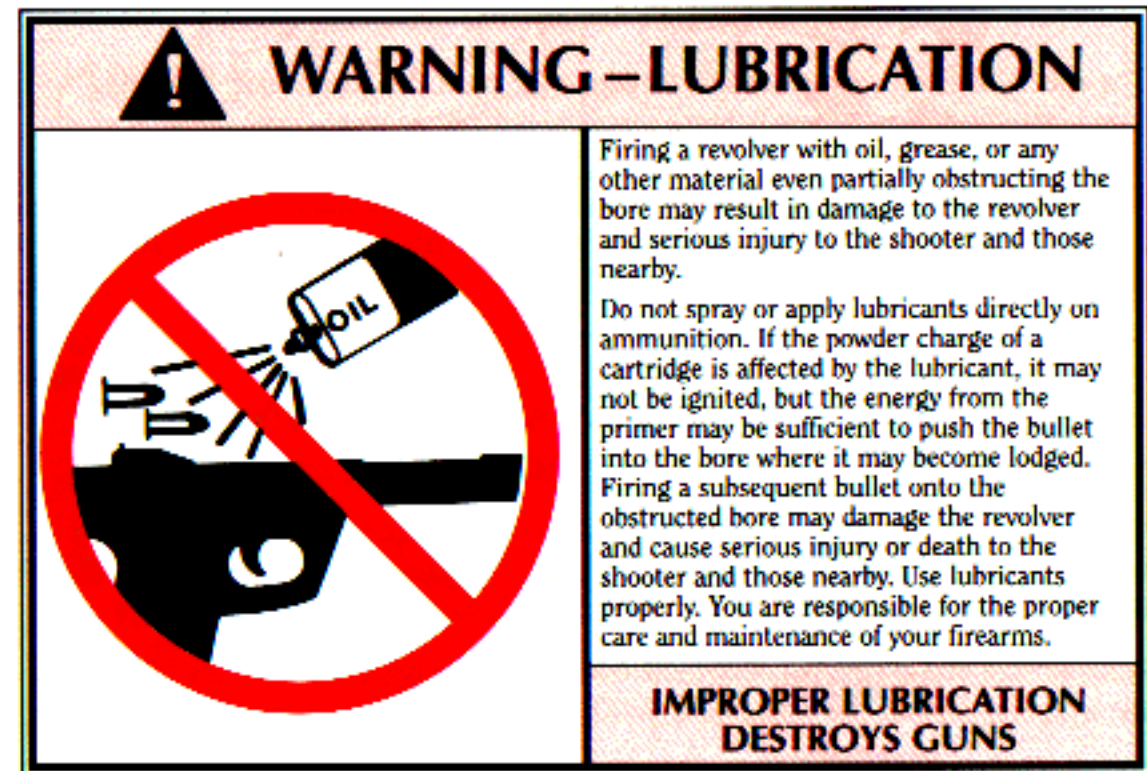
To clean the revolver after firing:

1. Remove the cylinder as described on p. 13.
2. Clean the barrel from the muzzle by running a cleaning rod with a solvent coated patch through the bore several times. A bronze wire brush, of a size appropriate to the bore size, attached to the cleaning rod should then be pushed the full length of the bore several times.
3. Again swab the bore with a solvent coated patch. Then wipe the rod clean and, using a dry patch, swab the bore until it is clean.
4. Repeat the above procedure for each of the six chambers.
5. Run a lightly oiled patch through the bore and each chamber.

Some cartridges with lead bullets deposit metal fouling in the chamber throats, in the forcing cone of the barrel, and in the bore. If 'leading' is noted in your revolver, clean it out before it builds up and interferes with reliable functioning and accuracy. A special 'lead removing' cleaning tool (for bore and chambers) is available from gun stores.

The revolver's internal mechanism can be lubricated without disassembly. A few drops of light oil recommended as suitable for firearms, applied periodically about the various frame openings, will work its way into the mechanism parts. The exterior of the revolver should be cleaned with a solvent and then wiped with an oily cloth.

Do not keep a revolver in a leather, fabric or canvas holster when it is stored. These materials attract moisture, even though the holster may appear to be dry.



CARE OF STAINLESS STEEL REVOLVERS

Firearms made of stainless steel are relatively more resistant to corrosion than blued steel firearms. However, you should still inspect it frequently and clean, lubricate and apply an appropriate rust preventative as required.

Sometimes surface discoloration may be noted, particularly in the grip area of stainless steel handguns, resulting from perspiration. Contact with some types of holsters can also cause stains or rusting. Rusting may also occur as a result of the handgun being exposed to moisture, humidity, salt air or chemicals.

Minor discoloration can usually be removed by rubbing the stained area with an abrasive ink eraser, crocus cloth, or a "metal polishing" compound. When using any of these abrasives, proceed with care and use light pressure to achieve a blending of 'color' with those areas that are not discolored.

Exposed surfaces on the firearm should be cleaned and wiped dry after use or after exposure to adverse conditions. If the firearm is to be stored, coat it with a light film of oil or preservative. Where the firearm is in continuing use, and the presence of oil or grease would be objectionable, then the external surfaces can be coated (after cleaning and drying) with a paste wax formulated for use on metals. Apply the wax sparingly, allow time for it to dry hard, then buff lightly with a soft cloth. When applying the wax take care that it does not get into the mechanism or on the functioning parts such as the cylinder latch, trigger or cylinder locking notches. A properly applied hard wax coating will not interfere with comfortable gun handling and it will provide a measure of protection against the formation of rust.

CARE OF "COLOR CASE FINISHED FRAMES" (VAQUERO & BISLEY-VAQUERO MODELS ONLY)

The special finish process used to simulate the old-time "color case hardened" frames of antique revolvers is quite durable, but not as wear-resistant as a conventional blued steel finish. **DO NOT USE ABRASIVE CLEANERS ON ANY "COLOR CASE FINISHED" FRAMES.** Note that the frames are "through hardened" just like other Ruger® revolvers. This finish is provided for those who prefer its mottled "old west" appearance.

ATTACHING RUGER SCOPE RINGS (HUNTER MODEL ONLY)

On the underside of each mounting ring assembly there is a locating "tab." By reference to this "tab," the mounting ring can be assembled to the scope so that the tab will fit correctly into the recess on the top of the barrel.

Disassemble one ring and reassemble over the scope body between the turret and the eyepiece so that the clamp nut (D-73) is positioned to the left of the scope.

Install the four top screws. Do not tighten.

Disassemble the other ring and install it on the forward section of the scope tube with the clamp nut positioned to the left of the scope. Install the four top screws. Again, do not tighten.

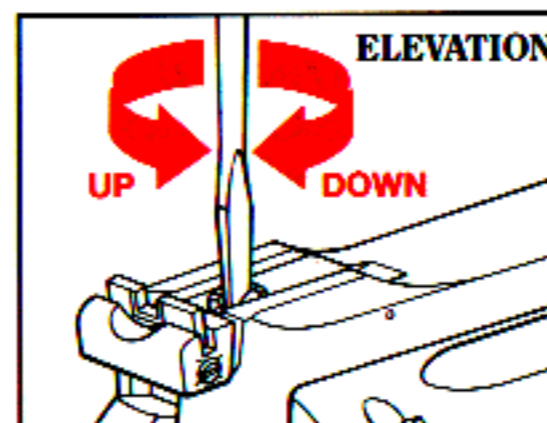
Assemble the rings to the barrel with the locating "tabs" engaging the recesses in the top surface of the barrel. Tighten the clamp nuts so that the rings are locked to the semi-circular cuts on the sides of the barrel. Rotate the scope until cross-hairs are aligned properly, and slide scope to desired eye relief.

Then tighten the eight top screws a bit at a time to grip the scope body. Sight in according to the direction with your scope.

SIGHTS

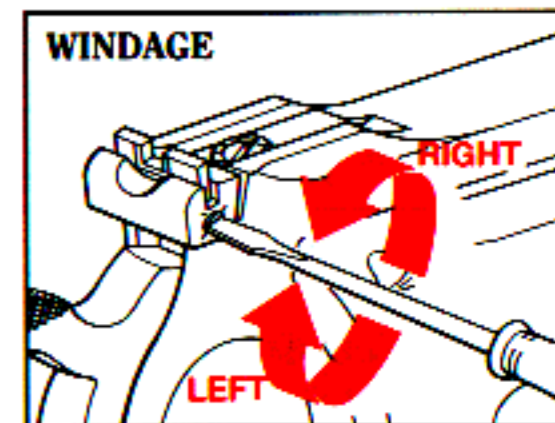
(ADJUSTABLE SIGHT MODELS ONLY)

ADJUSTMENT – Each click of the sight adjustment screw (either windage or elevation) will move the point of impact of the bullet approximately 3/4" at a range of 25 yards. The height of the front sight has been set to take advantage of the elevation adjustment in the rear sight, considering the various ranges at which the gun is most likely to be used. Barrel length and load used affects trajectory. Therefore the shooter should determine sight settings by firing trials.



To raise point of impact: turn screw counterclockwise.

To lower point of impact: turn screw clockwise.

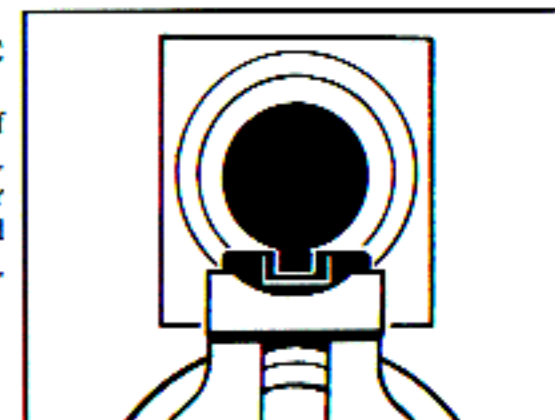


To move the point of impact to the right: turn screw counterclockwise.

To move the point of impact to the left: turn screw clockwise.

SUGGESTED SIGHT PICTURE

Top of front sight even with top of rear sight blade.
Front sight centered in notch of rear sight blade. Target bullseye centered on top of front sight.



FIXED SIGHTS

(VAQUERO & FIXED SIGHT MODELS ONLY)

Ruger® Vaquero & Bisley-Vaquero Revolvers feature a blade front sight and a fixed rear sight. They are factory set to be on target at 25 yards and cannot be further adjusted.

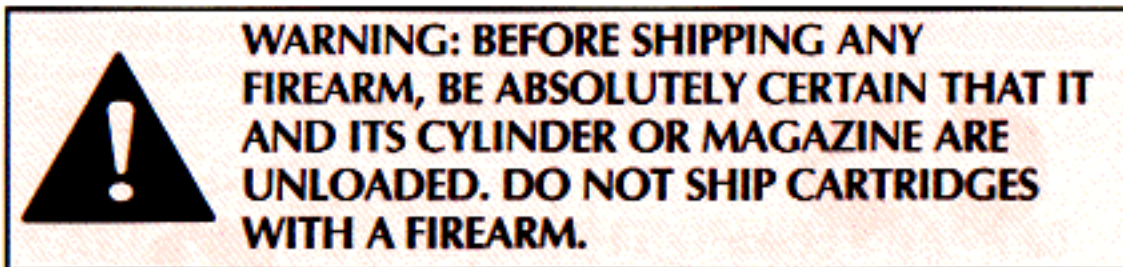
INTERCHANGEABLE SIGHTS

(HUNTER MODEL ONLY)

The HUNTER model revolver is provided with an insert front sight. To change the front sight, depress the spring loaded plunger in the front of the barrel rib with a small punch and lift rear of sight blade.

SERVICE AND PARTS POLICY

If you have any questions with regard to the performance of your revolver, please write or call (603-863-3300) our Newport, New Hampshire Product Service Department, fully describing all circumstances. If you should return your revolver to the factory for repair, or order parts for it, please comply with the following suggestions for prompt service:



SHIPPING FIREARMS FOR REPAIR

RUGER® NEW MODEL SINGLE ACTION revolvers returned to the factory for repair should be sent to: Sturm, Ruger & Company, Inc., Product Service Department, 411 Sunapee Street, Newport, New Hampshire 03773. Telephone (603) 863-3300. The complete revolver should be shipped. Please do not send your holster, custom grip panels or other accessories with any revolver being shipped to us. Guns should be sent prepaid: We will not accept collect shipments.

The Federal Gun Control Act, as well as the laws of most States and localities, do not prohibit an individual (who is not otherwise barred from purchasing or possessing a firearm) from shipping a firearm directly to the manufacturer for repair. However, before shipping your firearm to us, be certain that your State or locality does not have a law or regulation which will prohibit you from receiving it from us after it has been repaired. If such receiving is prohibited, then please have a Federally Licensed Firearms dealer ship the gun to us. If your gun is sent to us by a dealer, it will be returned to him after being repaired. If a handgun (pistol or revolver) is shipped by an individual who does not hold a Federal Firearms License, it must be shipped via U.P.S. Persons who do not hold a Federal Firearms License are prohibited by Federal law from shipping a handgun by mail. Handguns mailed in violation of the law are impounded by the Post Office.

Please do not include revolver case, sling, telescopic sights or custom accessories with a firearm being shipped to the factory for service. **DO NOT SEND GUN BOXES OR LITERATURE THAT YOU CONSIDER TO BE COLLECTOR'S ITEMS – THESE ARE INVARIABLY DAMAGED OR DESTROYED IN SHIPMENT.** Always insure your shipment.

Enclose a letter which includes your name, address, telephone number, serial number and model of the firearm. Describe in detail the trouble you have experienced with your firearm, or the work you wish to have done. Merely stating that the firearm "needs repair" is inadequate information.

Work performed will bear a net minimum labor charge of \$15.00 plus a \$5.00 shipping and handling charge. The charge for rebluing the **RUGER® NEW MODEL SINGLE ACTION** revolvers is \$35.00 plus a \$5.00 shipping and handling charge. We cannot apply the "color case finish" of the Ruger Vaquero to any other single action revolver. Custom gunsmithing service or nonstandard alterations are NOT AVAILABLE from Ruger Service Departments.



WARNING – PARTS PURCHASERS



It is the purchaser's responsibility to be absolutely certain that any parts ordered from the factory are correctly fitted and installed. Firearms are complicated mechanisms and **IMPROPER FITTING OF PARTS MAY RESULT IN A DANGEROUS MALFUNCTION, DAMAGE TO THE FIREARM, AND SERIOUS INJURY TO THE SHOOTER AND OTHER PERSONS.** The purchaser and installer of parts must accept full responsibility for the correct adjustment and functioning of the revolver after such installation.

PARTS MUST FIT CORRECTLY

ORDERING PARTS

All parts orders for the **RUGER® NEW MODEL SINGLE ACTION** revolvers should be sent to : Sturm, Ruger & Co., Inc., Product Service Department, 411 Sunapee Street, Newport, New Hampshire, 03773, 603-863-3300.

We cannot comply with open account or C.O.D. orders. Payment in the form of a check, money order, Visa or Mastercard must accompany your order. Credit Card orders must include the account number, expiration date and whether it is a Visa or Mastercard account. Minimum parts order is \$1.00 plus \$3.50 shipping and handling charge. Order parts by Part Name and Part Number and include the entire serial number of the firearm for which the parts are being ordered. The price shown for parts does not include the minimum net labor charge of \$15.00 plus \$5.00 shipping and handling charge. All factory fitted parts are fit on an exchange basis only. We will not return the replaced parts.

Barrels, cylinders and a number of other component parts must be fitted at the factory. Company policy is to proof-test and/or function fire all barrels after fitting to the receivers in which they are to be used. This procedure ensures maximum protection to our customers. The special proof-test ammunition used in this testing is sold only to bonafide firearms manufacturers and is not available to gun shops, gunsmiths, or individuals.

Because it is a serial numbered part, the cylinder frame of **RUGER® NEW MODEL SINGLE ACTION** revolvers is defined as a 'firearm' by Federal Law and is not offered for sale as a component part.

Parts designated by an (*) must be factory fitted. These parts are fitted on an exchange basis only. We will not return the replaced parts. We will not return any part that is broken, malfunctioning, badly worn or has been modified. See "Warning – Parts Purchasers" p. 23.

IMPORTANT – REGARDING PARTS ORDERING. Ruger New Model Single Action revolvers are manufactured in Blued steel and Stainless steel versions. **WHEN ORDERING PARTS BE SURE TO STATE WHETHER YOUR REVOLVER IS BLUED OR STAINLESS. ALSO, INCLUDE THE COMPLETE SERIAL NUMBER AND SPECIFY THE CALIBER AND BARREL LENGTH.**

NOTE: Where there is no price listed under the "Blued" column heading, it means that the listed part is available in stainless steel only and is for use in the blued and stainless steel models. A few components, as example sight blades and grip panels, are the same for blued and stainless models.

GRIP FRAME NOTE: The New Model Super Blackhawk steel Grip Frame (Stainless steel or blued) will fit any New Model Single-Six or New Model Blackhawk revolver. However, because the Grip Frame must be 'match-polished' to fit each cylinder frame, it is furnished (as a component part) only 'in the white,' that is, not polished or blued. The Grip Frame can be factory fitted with the charges computed as follows: Price of appropriate Grip Frame, plus fitting charge of \$15.00, plus refinishing charge of \$35.00 plus a \$5.00 shipping and handling charge. If the revolver to which the Grip Frame is being fitted is a Super Blackhawk, then there is an additional charge for a pair of Blackhawk Grip Panels. Return shipping charges (UPS/AOD) are about \$5.00 per handgun, but this charge is absorbed by the factory if full payment for the Grip Frame fitting job is included with the revolver.

EJECTOR HOUSING & SCREW NOTE: Early New Model Blackhawk revolvers in calibers .41 magnum, .45 Colt and Super Blackhawks that have the protruding Ejector Housing Screw Insert should order part number MR-22-44 Ejector Housing; MR-33-44 Ejector Housing Screw. Current production ejector housing screws are threaded directly into barrel.

CYLINDER NOTE: We will not install the .32-20 or .32 H & R cylinders in a .30 caliber Blackhawk or the .44-40 cylinder in the .44 Blackhawk or vice versa. Cylinders are only available for installation in the model they were intended for.

BARREL NOTE: All barrels are marked with a safety message, ("Before using gun, read warnings in Instruction Manual available free from Sturm, Ruger & Co. Inc., Southport, CT, USA").



CAUTION: A gun containing modified, broken, malfunctioning, or badly worn parts should not be fired.

PARTS LIST AND SUGGESTED RETAIL PRICES

Design, prices and specifications subject to change without notice.

SPECIFY MODEL AND CALIBER WHEN ORDERING

RUGER® NEW MODEL BLACKHAWK®, SUPER BLACKHAWK®, BISLEY, HUNTER & VAQUERO®

(See Exploded Views on Pages 31, 32, 33 & 34)

Part Name	Part No.	Model	Caliber					Blued	Stainless
			.357	.30	.41	.44	.44/40		
* Barrel (4 5/8")	MR20601	Blackhawk	•					\$33.75	\$55.50
* Barrel (6 1/2")	MR20602	Blackhawk	•					33.75	55.50
* Barrel (7 1/2")	MR20603	Bisley	•					33.75	-
* Barrel (7 1/2")	MR40600	Blackhawk		•				33.75	-
* Barrel (4 5/8")	MR30601	Blackhawk			•			33.75	-
* Barrel (6 1/2")	MR30602	Blackhawk			•			33.75	-
* Barrel (7 1/2")	MR30603	Bisley			•			33.75	-
* Barrel (5 1/2")	MR10603	Blackhawk, Vaquero, Bisley-Vaquero			•	•		33.75	55.50
* Barrel (4 5/8")	MR10604	Super Blackhawk, Vaquero			•	•		33.75	55.50
* Barrel (7 1/2")	MR10601	Super Blackhawk, Vaquero			•	•		33.75	55.50
* Barrel (7 1/2")	MR10601	Bisley			•	•		33.75	-
* Barrel (7 1/2")	KMR10701	Hunter			•	•		33.75	94.25
Barrel is equipped with wide rib with cuts for rings. See Note A page 30.									
* Barrel (10 1/2")	MR10602	Super Blackhawk			•			33.75	55.50
* Barrel (4 5/8")	MR50600	Blackhawk, Vaquero				•		33.75	55.50
* Barrel (5 1/2")	MR50601	Blackhawk, Vaquero, Bisley-Vaquero				•		33.75	55.50
* Barrel (7 1/2")	MR50602	Blackhawk, Vaquero				•		33.75	55.50
* Barrel (7 1/2")	MR50602	Bisley				•		33.75	-
Base Pin Assembly	MR02901A	All Models	•	•	•	•	•	7.25	8.50
Base Pin Latch Body	XR02700	All Models	•	•	•	•	•	1.00	1.00
Base Pin Latch Body (high gloss finish)	KXR02701	Vaquero, Bisley-Vaquero - stainless models						-	1.00
Base Pin Latch Nut	XR02800	All Models	•	•	•	•	•	.75	1.00

Part Name	Part No.	Model	Caliber						Blued	Stainless
			.357	.30	.41	.44	.44/40	.45		
Base Pin Latch Nut (high gloss finish)	KXR02801	Vaquero, Bisley-Vaquero - stainless models				•		•	-	\$ 1.00
Base Pin Latch Spring	XR04700	All Models	•	•	•	•	•	•	\$.50	.50
Case, Only, 3" - 5 1/2" barrels	RGC-M	All Models	•	•	•	•	•	•	17.50	17.50
Case, Only 6 1/2" & 7 1/2" barrels	RGC-L	All Models	•	•	•	•	•	•	17.50	17.50
* Cylinder	MR-1-357	Blackhawk	•						56.75	60.00
* Cylinder	MR-1-9	Blackhawk	(9mm)						56.75	60.00
* Cylinder	BR-1-357W1	Bisley	•						56.75	-
* Cylinder	MR-1-30	Blackhawk		•					56.75	60.00
* Cylinder	MR30100	Blackhawk			•				56.75	60.00
* Cylinder	BR-1-41W1	Bisley			•				56.75	-
* Cylinder (non-fluted)	MR-1-44	Super Blackhawk				•			56.75	60.00
* Cylinder	MR-1-44VC	Vaquero, Bisley-Vaquero - blued models				•			56.75	-
* Cylinder (bright finish)	GKMR-1-44	Vaquero, Bisley-Vaquero - stainless models				•			-	60.00
* Cylinder	KMR-1-44-1	Hunter				•			-	60.00
* Cylinder	BR-1-44W1	Bisley				•			56.75	-
* Cylinder	MR-1-4440	Vaquero					•		56.75	60.00
* Cylinder	MR-1-45C	Blackhawk					•		56.75	60.00
* Cylinder	MR-1-45A	Blackhawk						(.45 auto)	56.75	60.00
* Cylinder	MR-1-45VC	Vaquero, Bisley-Vaquero						•	56.75	60.00
* Cylinder	BR-1-45W1	Bisley						•	56.75	-
Cylinder Frame	MR00200	All Models except Bisley-Vaquero	•	•	•	•	•	•	•	Not Offered For Sale
Cylinder Frame	MR00203	Bisley-Vaquero				•			•	Not Offered For Sale
Cylinder Latch Assembly	KXR04500	All Models	•	•	•	•	•	•	-	1.75
Cylinder Latch Spring	XR04600	All Models	•	•	•	•	•	•	.50	.50
Cylinder Latch Spring Plunger	XR07700	All Models	•	•	•	•	•	•	.50	.50
Ejector Housing	XR12200	Blackhawk, Vaquero, Bisley, Bisley-Vaquero	•	•	•	•	•	•	6.50	20.00
Ejector Housing	XR12201	New Model Super Blackhawk 10 1/2" Bull Barrel				•			6.25	21.50
Ejector Housing (high gloss finish)	KXR12202	Vaquero, Bisley-Vaquero - stainless models				•		•	-	20.00

Part Name	Part No.	Model	Caliber						Blued	Stainless
			.357	.30	.41	.44	.44/40	.45		
Ejector Housing	KXR12201	Hunter				•			-	\$ 21.50
Ejector Housing	MR-22-44	Blackhawk, Super Blackhawk, Vaquero, Bisley (studded barrel ONLY)	•			•			\$ 6.50	20.00
Ejector Housing Screw	XR03300	All Models	•	•	•	•	•	•	.50	.50
Ejector Housing Screw (high gloss finish)	KXR03301	Vaquero, Bisley-Vaquero - stainless models				•		•	-	.50
Ejector Housing Spring	MR-33-44	Blackhawk (Studded Barrel Only)	•			•			.50	.50
Ejector Housing Spring	XR04400	Blackhawk, Super Blackhawk, Vaquero, Bisley, Bisley-Vaquero	•	•	•	•	•	•	.50	.50
Ejector Housing Spring	KSM04400	Super Blackhawk 10 1/2" Bull Barrel, Hunter				•			.50	.50
Ejector Rod Assembly	MR-55-30	Blackhawk		•					3.50	5.50
Ejector Rod Assembly	XR-55	Blackhawk, Super Blackhawk, Vaquero, Bisley-Vaquero	•		•	•	•	•	3.50	5.50
Ejector Rod Assembly	KMR-55-10	Super Blackhawk, 10 1/2" Bull Barrel, Hunter				•			-	5.50
Firing Pin	MR02100	All Models	•	•	•	•	•	•	.75	1.00
Firing Pin Rebound Spring	KE-48	All Models	•	•	•	•	•	•	-	.50
Front Sight	H03600	Hunter				•			7.50	-
Front Sight, Fixed	MR03613	Vaquero, Bisley-Vaquero				•	•	•	4.50	4.75
Front Sight	MR13600	Blackhawk, Except for 10 1/2" .44 & 7 1/2" .45	•	•	•	•	•	•	5.00	-
Front Sight	MR13603	Blackhawk 7 1/2" Barrel						•	5.00	-
Front Sight	MR-36-44	Super Blackhawk 10 1/2" Bull Barrel				•			5.00	-
Front Sight Base, Not Illustrated	KMR13601	Blackhawk, Except for 10 1/2" Barrel, .44	•	•	•	•	•	•	-	4.50
Front Sight Blade	MR03605	Blackhawk, Except for 10 1/2" Barrel, .44	•	•	•	•	•	•	1.50	-
Front Sight Cross Pin	KE-26	Blackhawk, Except for 10 1/2" Barrel, .44	•	•	•	•	•	•	-	.50
Front Sight Plunger	KH07900	Hunter				•			-	1.25
Front Sight Screw	XR07600	Super Blackhawk 10 1/2" Bull Barrel				•			.50	-
Front Sight Spring	KH08000	Hunter				•			-	.50
Gate	MR02400	All Models	•	•	•	•	•	•	5.00	6.00
Gate Detent Spring	MR07300	All Models	•	•	•	•	•	•	3.00	3.25
Grip Frame (aluminum)	XR00300	Blackhawk	•	•	•	•			29.00	-
Grip Frame (steel) (stainless steel; round trigger guard)	KXR00300	Blackhawk - stainless models	•	•	•	•	•	•	-	78.00
Grip Frame (steel; square trigger guard)	MR00300	Super Blackhawk				•			79.25	86.50

Part Name	Part No.	Model	Caliber					Blued	Stainless
			.357	.30	.41	.44	.44/40		
Grip Frame	KHR00300	Hunter				*		-	\$ 82.50
Grip Frame (alloy blue steel; round trigger guard)	XR00301	Blackhawk, S45N & S458N, Vaquero				*	*	\$ 76.50	-
Grip Frame	BR00300	Bisley, Bisley-Vaquero - blued models	*		*	*	*	79.25	-
Grip Frame	KBR00300	Bisley-Vaquero - stainless models				*	*	-	90.00
Grip Frame Screw-A-Front	XR01700	All Models	*	*	*	*	*	.50	.50
Grip Frame Screw-B-Back (2 Req'd.)	XR01800	Blackhawk, Super Blackhawk, Hunter, Vaquero	*	*	*	*	*	ea .50	ea .50
Grip Frame Screw-B-Back (hex screws - 2 Req'd.)	BR01801	Bisley, Bisley-Vaquero	*		*	*	*	ea .50	ea .50
Grip Frame Screw-C-Bottom	XR01900	All Models	*	*	*	*	*	.50	.50
Grip Frame Screw & Pivot Lock	XR01901	All Models	*	*	*	*	*	.50	.50
Grip Panel Dowel	KXR01400	All Models	*	*	*	*	*	-	.50
Grip Panel Ferrule, (Left)	XR01200	All Models	*	*	*	*	*	.50	-
Grip Panel Ferrule, (Right)	XR01100	All Models	*	*	*	*	*	.50	-
Grip Panel Screw	KXR01300	All Models	*	*	*	*	*	-	.50
Grip Panels, Rosewood (Sold in Pairs Only)	XR01000	Blackhawk, Vaquero	*	*	*	*	*	34.00	34.00
Grip Panels, Rosewood (Sold in Pairs Only)	MR01000	Super Blackhawk				*		34.00	34.00
Grip Panels, Black Laminated (Sold in Pairs Only)	MR01001	Hunter				*		34.00	34.00
Grip Panels, Simulated Ivory (Sold in Pairs Only)	XR01000SI	Vaquero				*	*	97.50	97.50
Grip Panels, Rosewood (Sold in Pairs Only)	BR01000	Bisley, Bisley-Vaquero	*	*	*	*	*	34.00	34.00
Hammer Assembly	MR04000	Blackhawk, Vaquero - blued models	*	*	*	*	*	18.00	-
Hammer Assembly	KMR04000	Blackhawk - stainless models	*	*	*	*	*	-	18.25
Hammer Assembly (high gloss finish)	KMR04002	Vaquero - stainless models				*	*	-	18.25

Part Name	Part No.	Model	Caliber					Blued	Stainless
			.357	.30	.41	.44	.44/40		
Hammer Assembly	MR04001	Super Blackhawk - blued models				*		\$ 16.75	-
Hammer Assembly	KMR04001	Super Blackhawk, Hunter - stainless models				*		-	\$ 18.25
Hammer Assembly	BR04001	Bisley, Bisley-Vaquero - blued models	*		*	*	*	18.75	-
Hammer Assembly	KBR04001	Bisley-Vaquero - stainless models				*	*	-	20.00
Hammer Pivot Pin	XR01600	All Models - blued models	*	*	*	*	*	.75	-
Hammer Pivot Pin	KXR01601	All Models - stainless models	*	*	*	*	*	-	1.00
Hammer Plunger	KXR04100	All Models	*	*	*	*	*	-	.75
Hammer Plunger Cross Pin	KXR04200	All Models	*	*	*	*	*	-	.50
Hammer Plunger Spring	KPR04300	All Models	*	*	*	*	*	-	.50
Hammer Strut	XR01500	All Models	*	*	*	*	*	.50	1.25
Mainspring	XR00400	All Models	*	*	*	*	*	.75	1.00
Mainspring Seat	XR00500	All Models	*	*	*	*	*	.50	.50
Medallion, 2 Req'd.	XR05200	All Models	*	*	*	*	*	ea. 1.25	-
Pawl	KMR00700	All Models	*	*	*	*	*	-	3.25
Pawl Spring	XR05000	All Models	*	*	*	*	*	.50	.50
Pawl Spring Plunger	XR05100	All Models	*	*	*	*	*	.50	1.00
Rear Sight Base Assembly, Complete, (Specify if sight has "bump" on underside)	MR15900	Blackhawk, Super Blackhawk, Hunter, Bisley	*	*	*	*	*	8.25	-
Rear Sight Blade	MR05901	Blackhawk, Hunter, Bisley, Super Blackhawk Except 10 1/2" Barrel, Narrow Aperture	*	*	*	*	*	1.50	-
Rear Sight Blade	MR05904	Super Blackhawk 10 1/2" Barrel, Very Narrow Aperture				*	*	1.50	-
Rear Sight Detent Ball (Not Illustrated)	MR05908	Blackhawk, Super Blackhawk, Hunter, Bisley	*	*	*	*	*	.50	-
Rear Sight Elevation Screw	MR05902	Blackhawk, Super Blackhawk, Hunter, Bisley	*	*	*	*	*	.50	-
Rear Sight Elevation Spring (2 Req'd.)	MR05906	Blackhawk, Super Blackhawk, Hunter, Bisley	*	*	*	*	*	ea. .50	-
Rear Sight Pivot Pin	MR05600	Blackhawk, Super Blackhawk, Hunter, Bisley	*	*	*	*	*	.50	.50

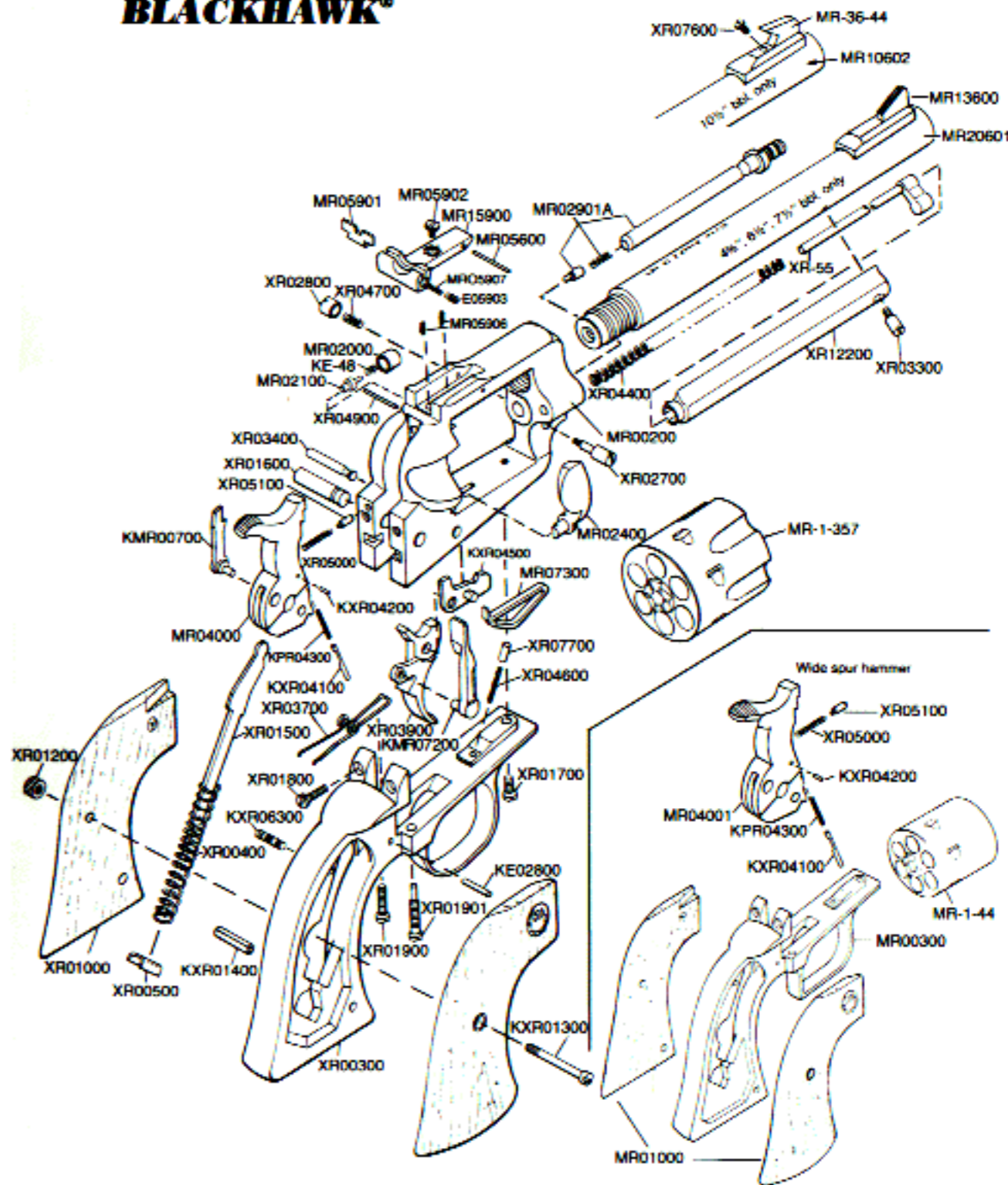
Part Name	Part No.	Model	Caliber								
			.357	.30	.41	.44	.44/40	.45	Blued	Stainless	
Rear Sight Windage Adjusting Screw	E05903	Blackhawk, Super Blackhawk, Hunter, Bisley	•	•	•	•	•	•	•	\$.50	-
Rear Sight Windage Spring	MR05907	Blackhawk, Super Blackhawk, Hunter, Bisley	•	•	•	•	•	•	•	.50	-
Recoil Plate	MR02000	All Models	•	•	•	•	•	•	•	1.00	\$ 1.25
Recoil Plate Cross Pin	XR04900	All Models	•	•	•	•	•	•	•	.75	.75
Scope Base Clamp	D-74	Hunter	•	•	•	•	•	•	•	2.00	-
Scope Base Nut	D-73	Hunter	•	•	•	•	•	•	•	2.00	-
Scope Base Screw, (8 Req'd.)	D-76	Hunter	•	•	•	•	•	•	•	ea. .50	-
Scope Rings (medium rings) accommodates 42mm Lens	KD-72/KS-100RH	Hunter	•	•	•	•	•	•	•	-	45.40
Transfer Bar	KMR07200	All Models	•	•	•	•	•	•	•	-	4.25
Trigger	XR03900	Blackhawk, Hunter	•	•	•	•	•	•	•	9.50	10.00
Trigger, Serrated	XR03901	Blackhawk, Super Blackhawk, Vaquero	•	•	•	•	•	•	•	9.50	10.00
Trigger Pivot Pin	XRN-39S	Super Blackhawk	•	•	•	•	•	•	•	No Longer Available	-
Trigger	BR03901	Bisley, Bisley-Vaquero	•	•	•	•	•	•	•	9.50	-
Trigger Pivot Pin	XR03400	All Models - blued models	•	•	•	•	•	•	•	.75	-
Trigger Pivot Pin	KXR03401	All Models - stainless models	•	•	•	•	•	•	•	.75	-
Trigger Spring	XR03700	All Models	•	•	•	•	•	•	•	.75	.75
Trigger Spring Pivot Pin	KE02800	All Models	•	•	•	•	•	•	•	-	.75
Trigger Spring Retaining Pin	KXR06300	All Models	•	•	•	•	•	•	•	-	.50

* PARTS SO MARKED MUST BE FACTORY FITTED

NOTE A - This wide rib barrel, which accommodates the Ruger Scope Rings cannot be mounted on any other model Blackhawk or Super Blackhawk. Also, the barrels on any other model Blackhawk or Super Blackhawk that do not have the cuts for the Scope Rings cannot be altered to accommodate the scope rings.

NEW MODEL BLACKHAWK® & SUPER BLACKHAWK® EXPLODED VIEW

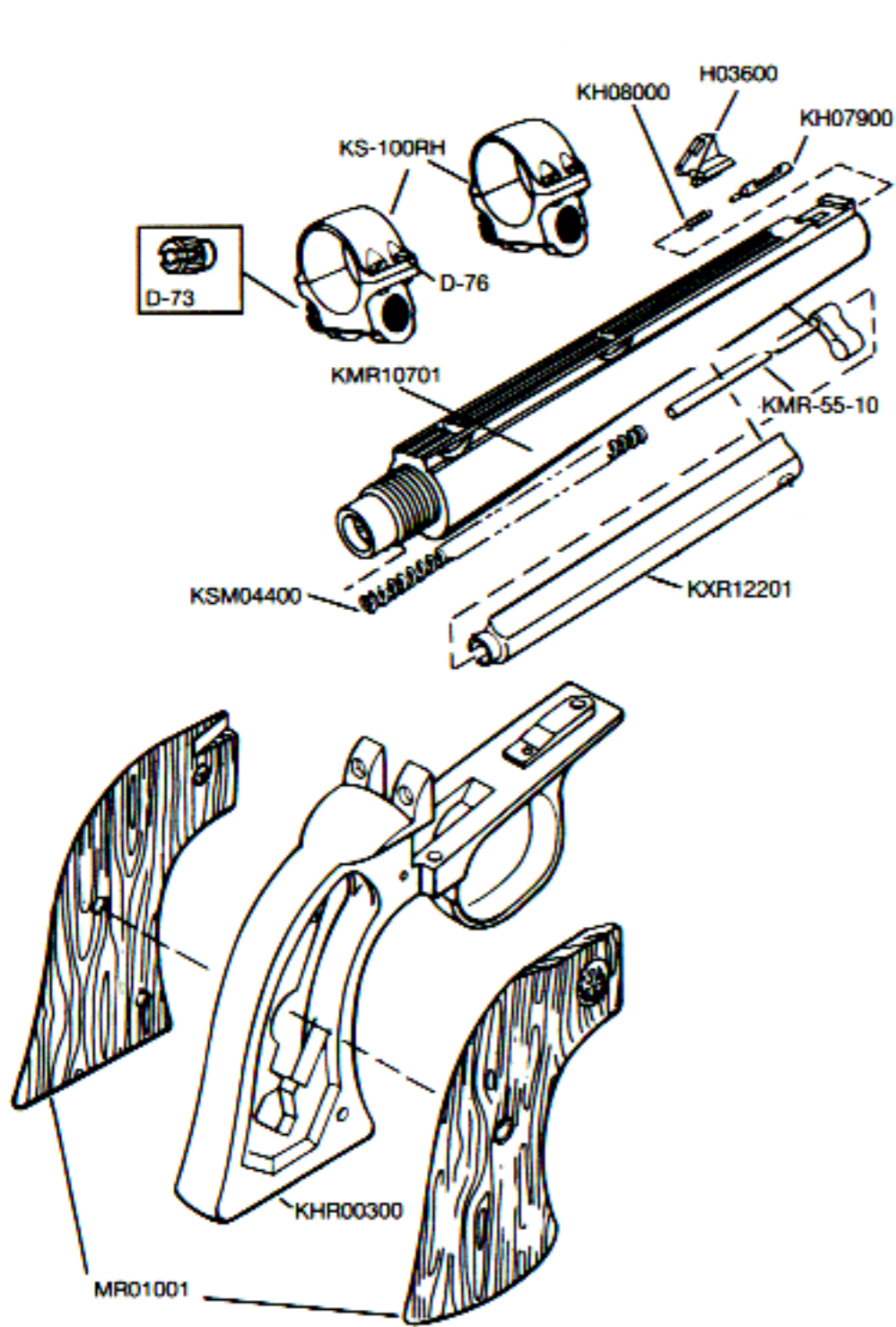
BLACKHAWK®



SUPER BLACKHAWK®

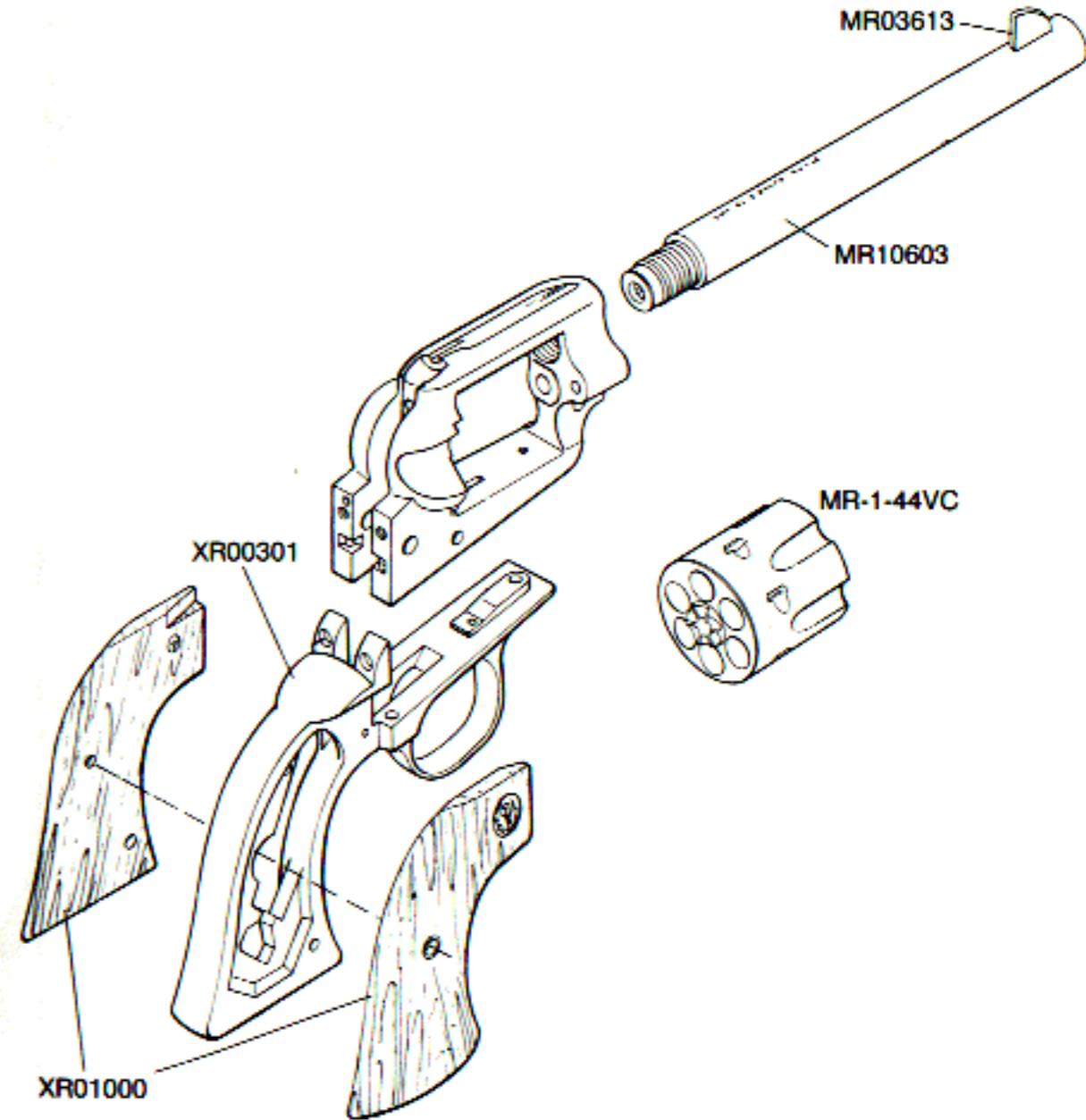
HUNTER MODEL

(All other New Model Super Blackhawk parts interchangeable.)

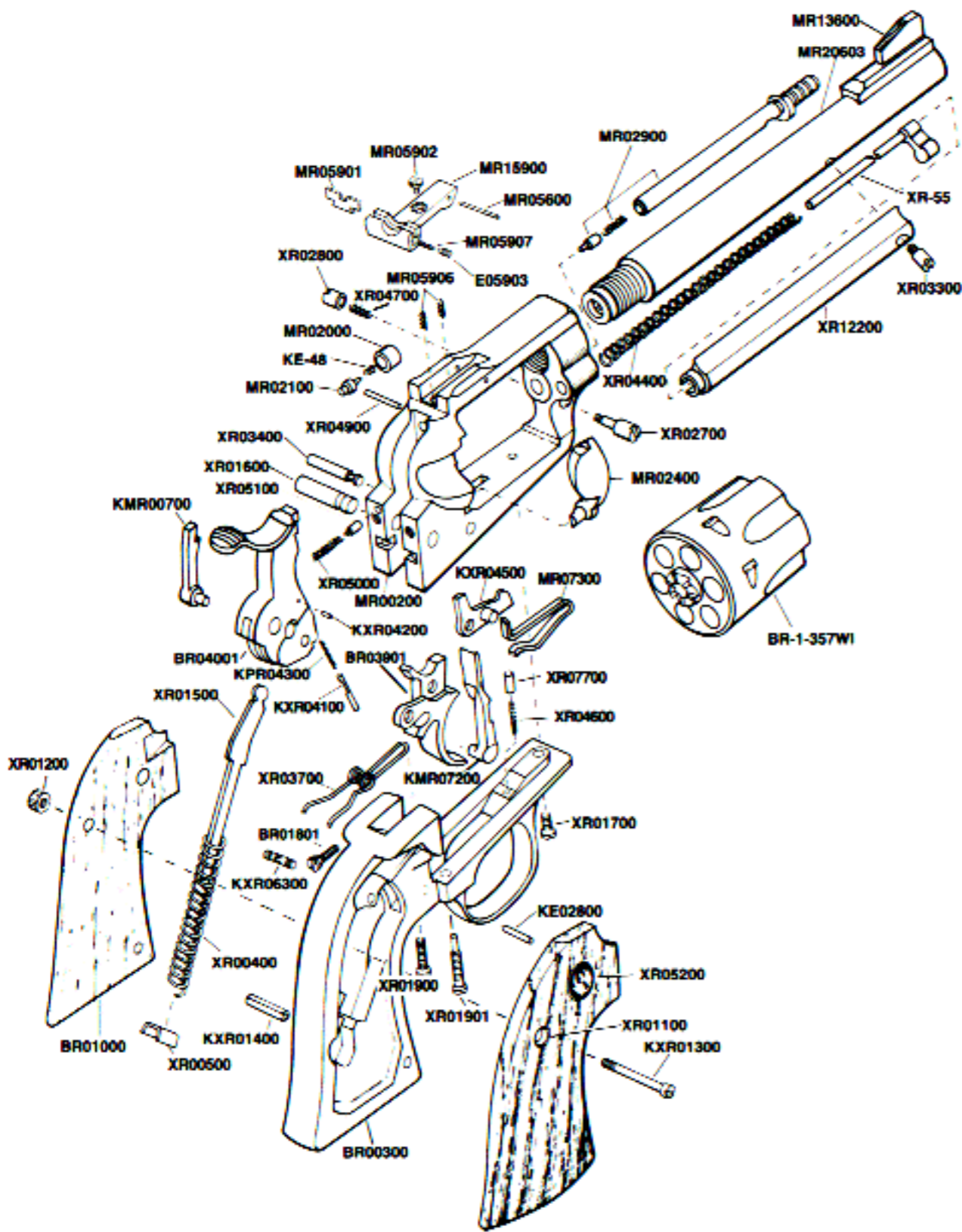


VAQUERO® MODEL

(All other New Model Blackhawk parts are interchangeable.)



RUGER® BISLEY EXPLODED VIEW



THE BASIC RULES OF SAFE FIREARMS HANDLING

We believe that Americans have a right to purchase and use firearms for lawful purposes. The private ownership of firearms in America is traditional, but that ownership imposes the responsibility on the gun owner to use his firearms in a way which will ensure his own safety and that of others. When firearms are used in a safe and responsible manner, they are a great source of pleasure and satisfaction, and represent a fundamental part of our personal liberty.

Firearms do not cause accidents! Firearms accidents are almost always found to have been the result of carelessness or ignorance on the part of the shooter of the basic rules of safe gun handling.

The following rules must be observed by gun users at all times. Safe gun handling is not just desirable, it is absolutely essential to your safety, the safety of others, and the continuation of gun ownership and sport shooting as we know it today.

1. LEARN THE MECHANICAL AND HANDLING CHARACTERISTICS OF THE FIREARM YOU ARE USING.



Not all firearms are the same. The method of carrying and handling firearms varies in accordance with the mechanical provisions for avoiding accidental discharge and the various proper procedures for loading and unloading. No person should handle any firearm without first having thoroughly familiarized himself with the particular type of firearm he is using, and with safe gun handling in general.

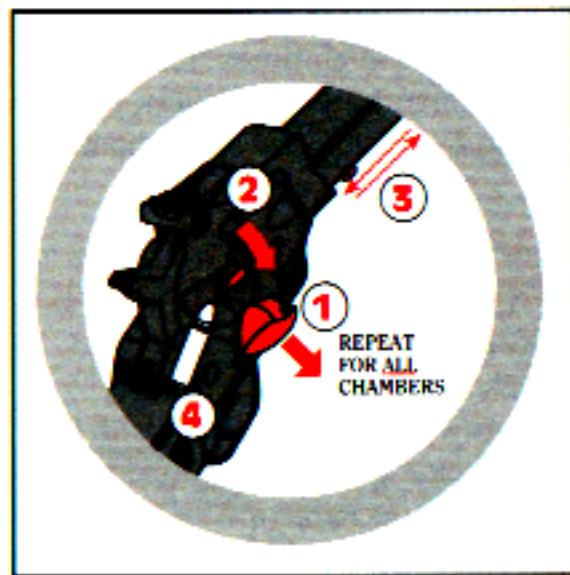
2. ALWAYS KEEP THE MUZZLE POINTED IN A SAFE DIRECTION.



Be sure of the bullet stop behind your target, even when dry-firing. Never let the muzzle of a firearm point at any part of your body or at another person. This is particularly important when loading or unloading a firearm. In the event of an accidental discharge, no injury can occur as long as the muzzle is pointing in a safe direction. A safe direction means a direction which will not permit a discharged bullet to strike a person, or to strike an object from which the bullet may ricochet.

A safe direction must take into account the fact that a bullet may penetrate a wall, ceiling, floor, window, etc., and strike a person or damage property. Make it a habit to know exactly where the muzzle of your gun is pointing whenever you handle it, and be sure that you are always in control of the direction in which the muzzle is pointing, even if you fall or stumble. Keep your finger off the trigger until you are ready to shoot!

3. FIREARMS SHOULD BE UNLOADED WHEN NOT IN USE.



Firearms should be loaded only when you are in the field or on the target range or shooting area, ready to shoot. Firearms and ammunition should be securely locked in racks or cabinets when not in use. Ammunition should be safely stored separate from firearms. Store your firearms out of sight of visitors and children. It is the gun owner's responsibility to be certain that children and persons unfamiliar with firearms cannot gain access to firearms, ammunition, or components.

4. BE SURE THE BARREL IS CLEAR OF OBSTRUCTIONS BEFORE SHOOTING.

Even a bit of mud, snow or excess lubricating oil or grease in the bore may cause the barrel to bulge, or even burst on firing, and can cause serious injury to the shooter and bystanders. Be sure that you are using ammunition of the proper caliber and loading for the gun you are using. If the report or recoil on firing seems weak, or doesn't seem quite right, **CEASE FIRING IMMEDIATELY**, unload your firearm, and check to be sure that no obstruction has become lodged in the barrel.



5. BE SURE OF YOUR TARGET BEFORE YOU SHOOT.

Don't shoot unless you know exactly where your bullet is going to strike. Be sure of the bullet stop behind your target, even when dry-firing with an unloaded gun. If you are in the field hunting, do not fire at a movement or noise. Take the time to be absolutely certain of your target before you pull the trigger.

6. WEAR SHOOTING GLASSES AND HEARING PROTECTORS WHEN YOU SHOOT.

All shooters should wear protective shooting glasses and adequate hearing protectors when shooting. Exposure to shooting noise can damage hearing, and adequate eye protection when shooting is essential.



7. NEVER CLIMB A TREE OR FENCE WITH A LOADED FIREARM.

Put the firearm down carefully before climbing a fence, and unload it before climbing or descending a tree or jumping over a ditch or other obstruction. Never pull or push a loaded firearm toward yourself or another person. When in doubt, or whenever you are about to do anything awkward, unload your gun!

8. DON'T SHOOT AT A HARD SURFACE, OR AT WATER.

Bullets can glance off many surfaces like rocks or the surface of water and travel in unpredictable directions with considerable velocity.



9. NEVER TRANSPORT A LOADED FIREARM.

Firearms should always be unloaded before being placed in a vehicle. A suitable carrying case or scabbard should be used to carry an unloaded firearm to and from the shooting area.

10. AVOID ALCOHOLIC BEVERAGES WHEN SHOOTING.

Don't drink until the day's shooting is over. Handling firearms while under the influence of alcohol in any form, or medications that could affect your judgment or co-ordination, constitutes a criminal disregard for the safety of others.



A BRIEF ACCOUNT OF AN EXTRAORDINARY ACHIEVEMENT: RUGER FIREARMS

One of the few American firearms manufacturers whose management has remained unchanged since starting in business, Sturm, Ruger & Company, Inc., had its beginning in a small machine shop occupying a rented frame building in Southport, Connecticut. In January, 1949, with an initial investment of only \$50,000 and an idea, William B. Ruger and Alexander M. Sturm started production of a .22 caliber autoloading pistol—a design which was so successful that it became the cornerstone upon which one of the most comprehensive lines of sporting firearms ever made in America was established. After Alex Sturm's death in 1951, William B. Ruger continued to direct the company alone and today, as Chairman of the Board, he is actively involved in the creative engineering of new products and continues to provide the leadership which has made this 48-year-old company a sound and successful enterprise.

Sturm, Ruger & Company, in this relatively short time, has established itself as a leading small arms design organization, developing a unique and broad line of fine quality sporting, military and police firearms to become one of the world's most famous producers of revolvers, pistols, rifles and shotguns. From 1949 thru 1997 Ruger craftsmen have built many millions of firearms.

During its four decades of growth and progress under the leadership of William B. Ruger, the company has developed a business philosophy and implemented policies which represent a constructive influence in the life of modern America. From the beginning, Sturm, Ruger & Company played a positive role in conservation efforts and has supported the interests of the National Rifle Association, National Shooting Sports Foundation, and many regional sportsmen's organizations. The company has always endeavored to market its firearms for constructive and recreational purposes, to emphasize the traditional aspects of shooting, to render meaningful public services and to encourage shooters in constructive and responsible participation in the shooting sports.

Today, Sturm, Ruger & Company is particularly mindful of those elements which have contributed to the creation of its success, and extends heartfelt thanks to its many loyal employees and customers.

A current catalog of Ruger firearms is available free upon request to Sturm, Ruger & Co., Southport, CT 06490

WHY NO WARRANTY CARD HAS BEEN PACKED WITH THIS NEW RUGER FIREARM

The Magnuson-Moss Act (Public Law 93-637) does not require any seller or manufacturer of a consumer product to give a written warranty. It does provide that if a written warranty is given, it must be designated as "limited" or as "full" and sets minimum standards for a "full" warranty. Sturm, Ruger & Company, Inc. has elected not to provide any written warranty, either "limited" or "full", rather than to attempt to comply with the provisions of the Magnuson-Moss Act and the regulations issued thereunder. There are certain implied warranties under state law with respect to sales of consumer goods. As the extent and interpretation of these implied warranties varies from state to state, you should refer to your state statutes. Sturm, Ruger & Company wishes to assure its customers of its continued interest in providing service to owners of Ruger firearms.



STURM, RUGER & Company, Inc.
Southport, Connecticut 06490 U.S.A.
<http://www.ruger-firearms.com>

A COPY OF THE INSTRUCTION MANUAL FOR EACH RUGER
FIREARM IS AVAILABLE FROM THE FACTORY. REQUEST
THESE INSTRUCTION MANUALS COST \$ 3 00 INSTANT
WARNINGS WHICH MUST BE UNDERSTOOD
BEFORE USING THESE FIREARMS.

"RUGER", the Sturm, Ruger logo, "SINGLE-SIX", "BLACKHAWK", "REDHAWK", "SECURITY-SIX",
"SPEED-SIX", "SERVICE-SIX", "BEARCAT", "OLD ARMY", "10/22", "MINI-14", "MINI THIRTY",
"RANCH RIFLE", "M77", "77/22", "GP-100", "SP101", "P-85" and "VAQUERO"
are registered U.S. trademarks.