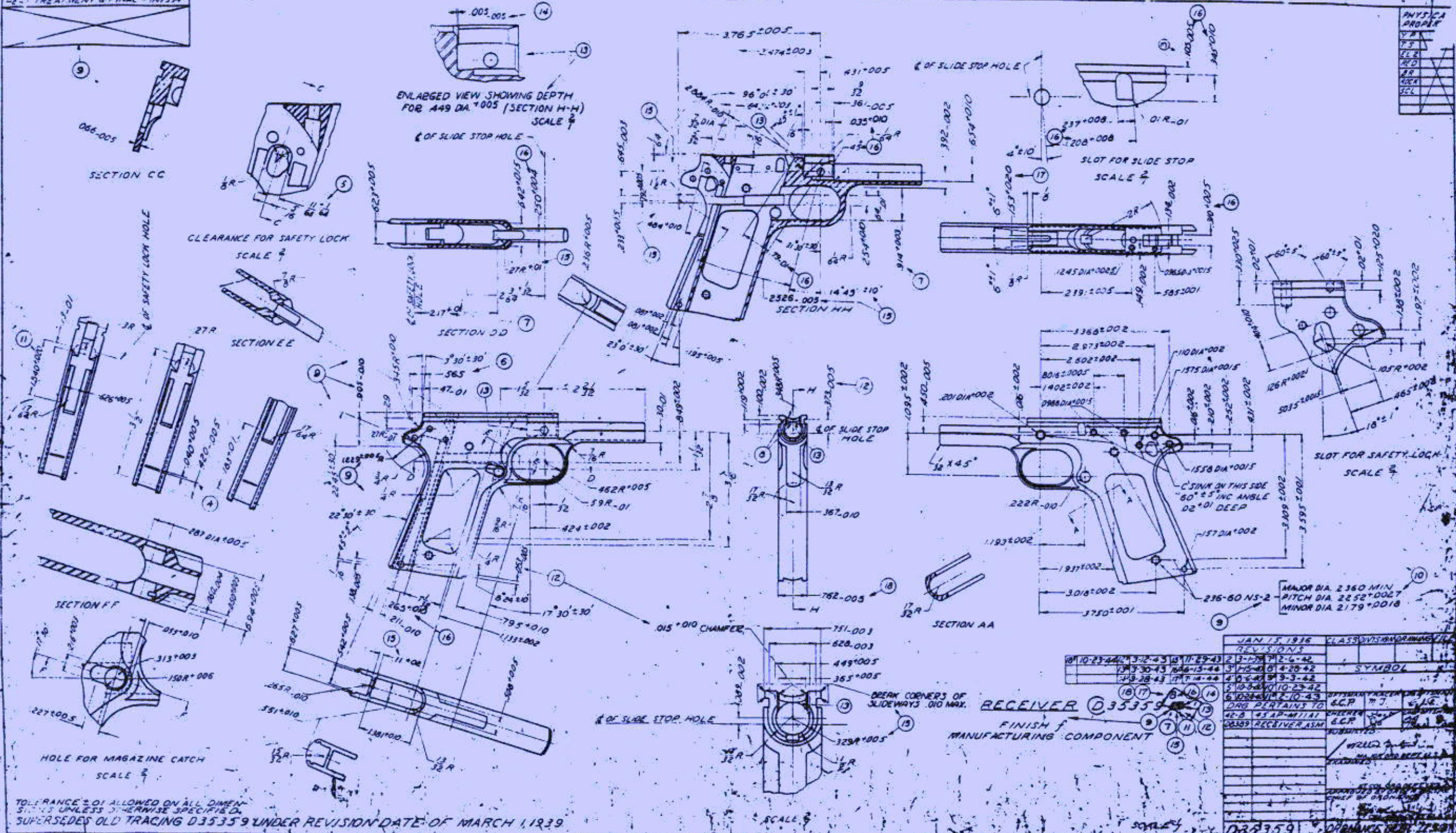


PART OLD TRACING E269 UNDER REVISION DATE OF JAN 13, 1936

PISTOL, AUTOMATIC CAL. 45 M1A1 SECTIONAL VIEWS			
JAN. 13, 1936	CLASS	DIVISION	DRAWING FILE
REVISIONS	42	B	32
SYMBOL			
VYP2			
DRG PERTAINS TO	OFFICER	TRACER	LOC. OF TRACER
42-B 5542-101A1	488	888	490
CHECKED	746	746	746
SUBMITTED			
EXAMINED			
W. W. W. W.			
BY ORDER OF THE			
CHIEF OF ORDNANCE			
ORANGE, DEPT. USA			
SHEET 1 OF 2 - 2575			

ILLUSTRATION

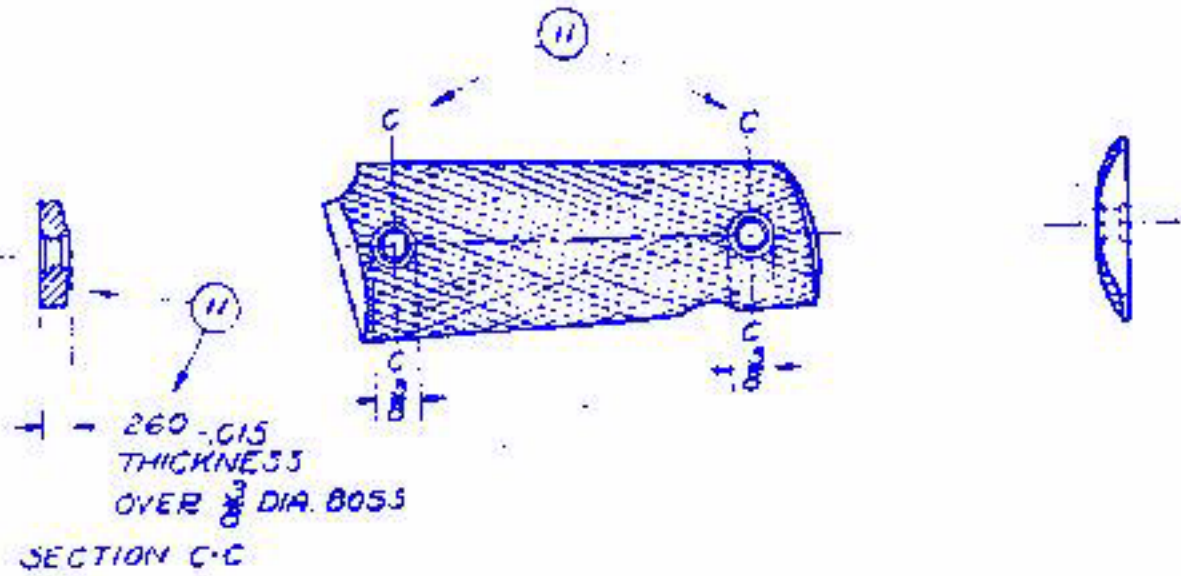
PHYSICAL	
PROF.	
FILE	
REF.	
RR	
WORK	
SCALE	



TOLERANCE .01 ALLOWED ON ALL DIMEN-
SIONS UNLESS OTHERWISE SPECIFIED.
SUPERSEDES OLD TRACING D35359 UNDER REVISION DATE OF MARCH 1, 1939

JAN 15 1936 CLASS DIVISION DRAWING					
REVISIONS					
10-23-44	3-12-45	11-29-43	2	3-12-45	712-6-42
13-30-43	8-6-45	11-15-44	3	11-15-44	4-28-42
1-18-43	1-17-44	1-17-44	4	6-6-40	9-3-42
5-10-40	10-25-42		5	10-25-42	
OFFICER IN CHARGE		DESIGNED BY		CHECKED BY	
DRG PERTAINS TO		G.C.P.		G.C.P.	
42-B 43 AP-M11A1		G.C.P.		G.C.P.	
D35359 RECEIVER ASM		G.C.P.		G.C.P.	
SUBMITTED		G.C.P.		G.C.P.	
WELDED		G.C.P.		G.C.P.	
MOUNTED BY		G.C.P.		G.C.P.	
DRAWN BY		G.C.P.		G.C.P.	
D35359		DRAWING NO. 11-29-43			

HEAT TREATMENT & FINAL FINISH



SECTION B-B

SECTION A-A

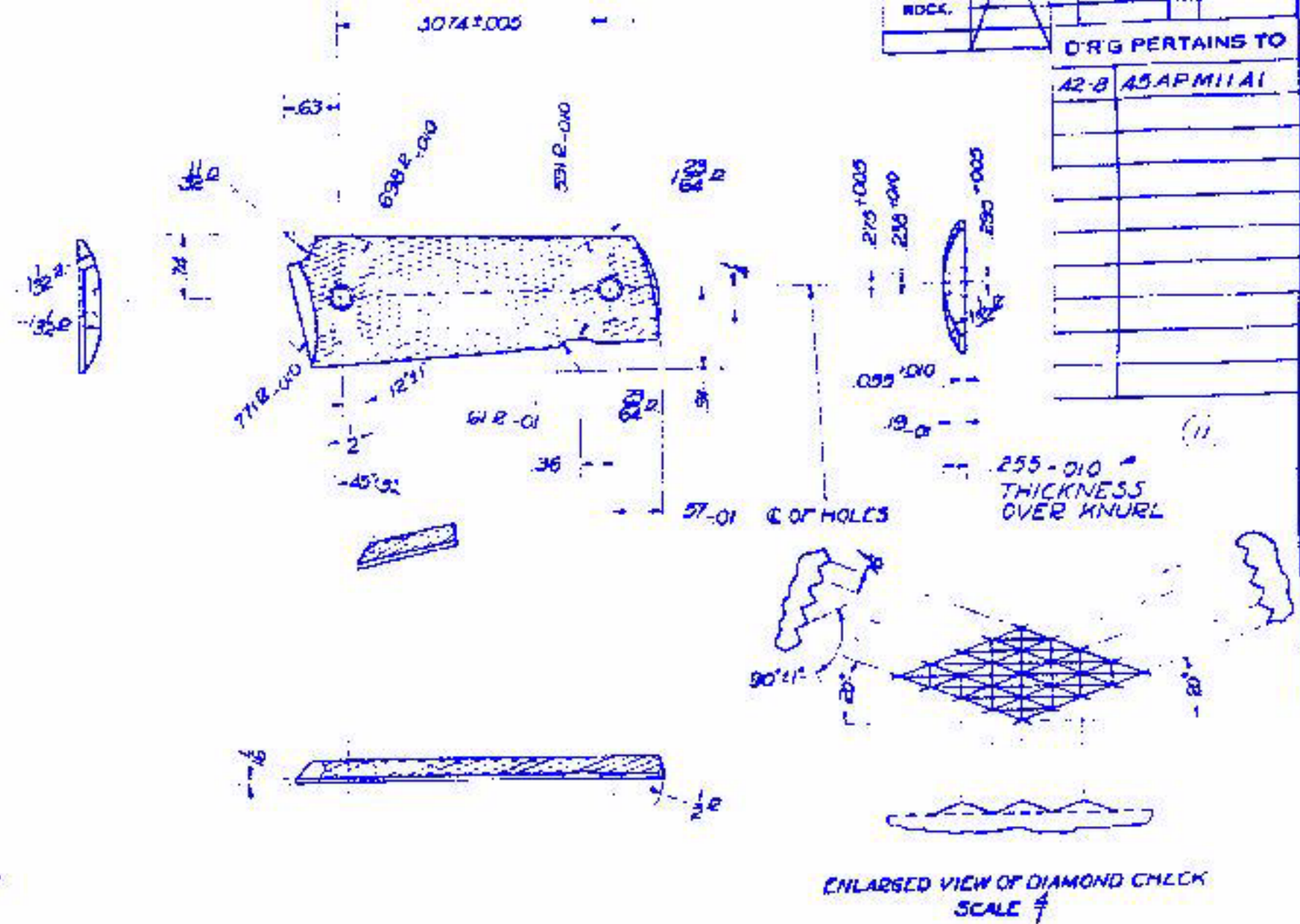
NOTES: - FOR DIMENSIONS SEE DRG. OF WOOD STOCK.
INSIDE RECESSES MAY VARY SUBJECT TO
APPROVAL OF CONTRACTING OFFICER.

STOCK RIGHT HAND PLASTIC (C64062-11)

TOLERANCE ±0.1 ALLOWED ON ALL DIMENSIONS UNLESS OTHERWISE SPECIFIED
SUPERSEDES OLD TRACING C64062 UNDER REVISION DATE OF SEPT. 5, 1942

PHYSICAL PROPERTIES	JAN. 15, 1936 REVISIONS	
Y. P.	110	4-5-42
T. B.	117	9-6-44
EL. 2		
RFD.		
BR.		
WDCK.		

DWG PERTAINS TO
42-B 45APM11A1



STOCK RIGHT HAND WOOD (C64062-11)

OPTIONAL CHECKING MAY BE HOT PRESSED
SCALE 4x

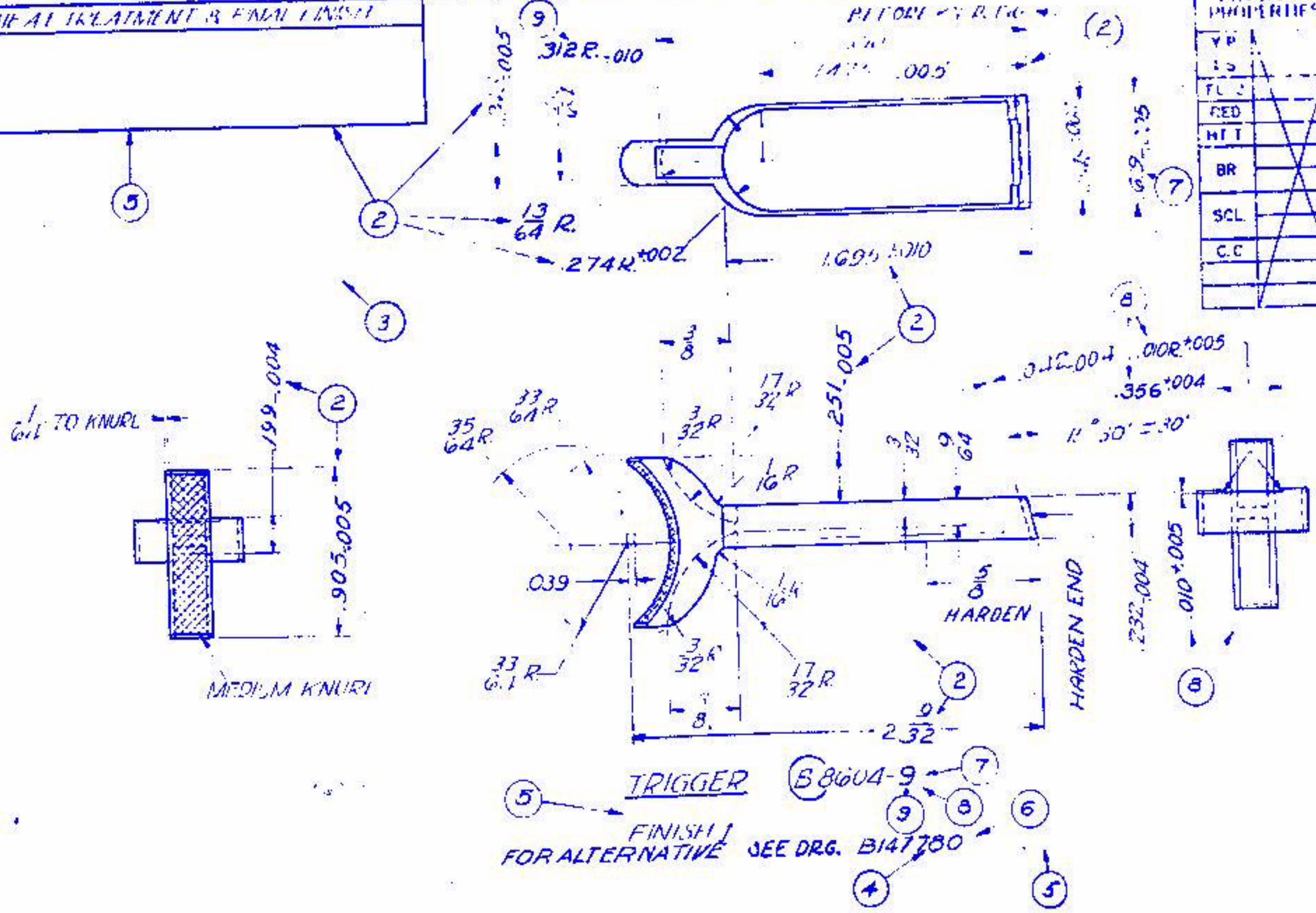
SCALE 4x C-64062

SPRINGFIELD ARMORY

DATE	BY	FOR
1/15/36	J.S. L.C.P.	
1/15/36		
1/15/36		
SUBMITTED		
APPROVED BY ORDER OF THE CHIEF OF ORDNANCE		
M. L. G. DEPT.		
CCL ORG DEPT.		
ORDNANCE DEPT. U. S. A.		

HEAT TREATMENT R FIRM FINISH

PHYSICAL PROPERTIES		REVISIONS	
Y.P.		1	1/15/36
T.S.		2	
FL.		3	7-10
RED.		4	6-29-42
HTI.		5	9-16-42
BR.		6	1-1-43
SCL.		8	9-28-43
C.C.		9	11-29-43



TOLERANCE NOT ALLOWED ON ALL DIMENSIONS UNLESS OTHERWISE SPECIFIED.
 SUPERSEDES OLD TRACING B8604 UNDER REVISION DATE OF JAN. 15, 1936.

B 8604

ORG PERTAINS TO

SYMBOL

CBT369

OFFICER	TRACER	LDG OFFICER
FCL	76	19.0
CHECKER		CHIEF OFFICER
		24/808

SUBMITTED

APPROVED BY ORDER OF THE CHIEF OF ORDNANCE

LT COL JON ...

ORDNANCE DEPT USA