

**The following blueprints are courtesy
Ralph Hagan, author of "The Liberator Pistol",
and are presented with his permission at
www.biggerhammer.net.**

**For more Liberator info, you can purchase his book at
<http://home.pacbell.net/rlhag65/>**

THE LIBERATOR PISTOL



**DEVELOPMENT
PRODUCTION
DISTRIBUTION**

RALPH HAGAN

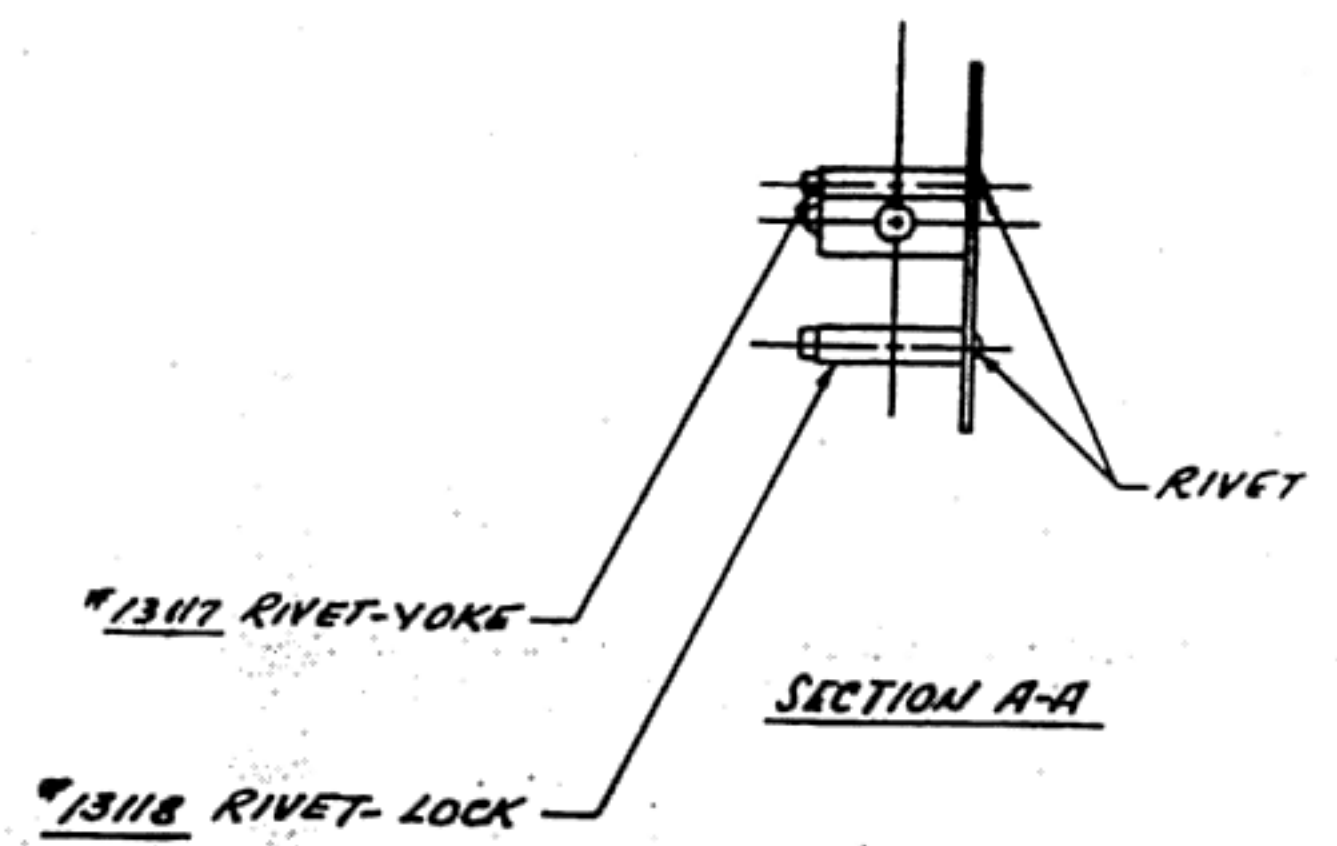
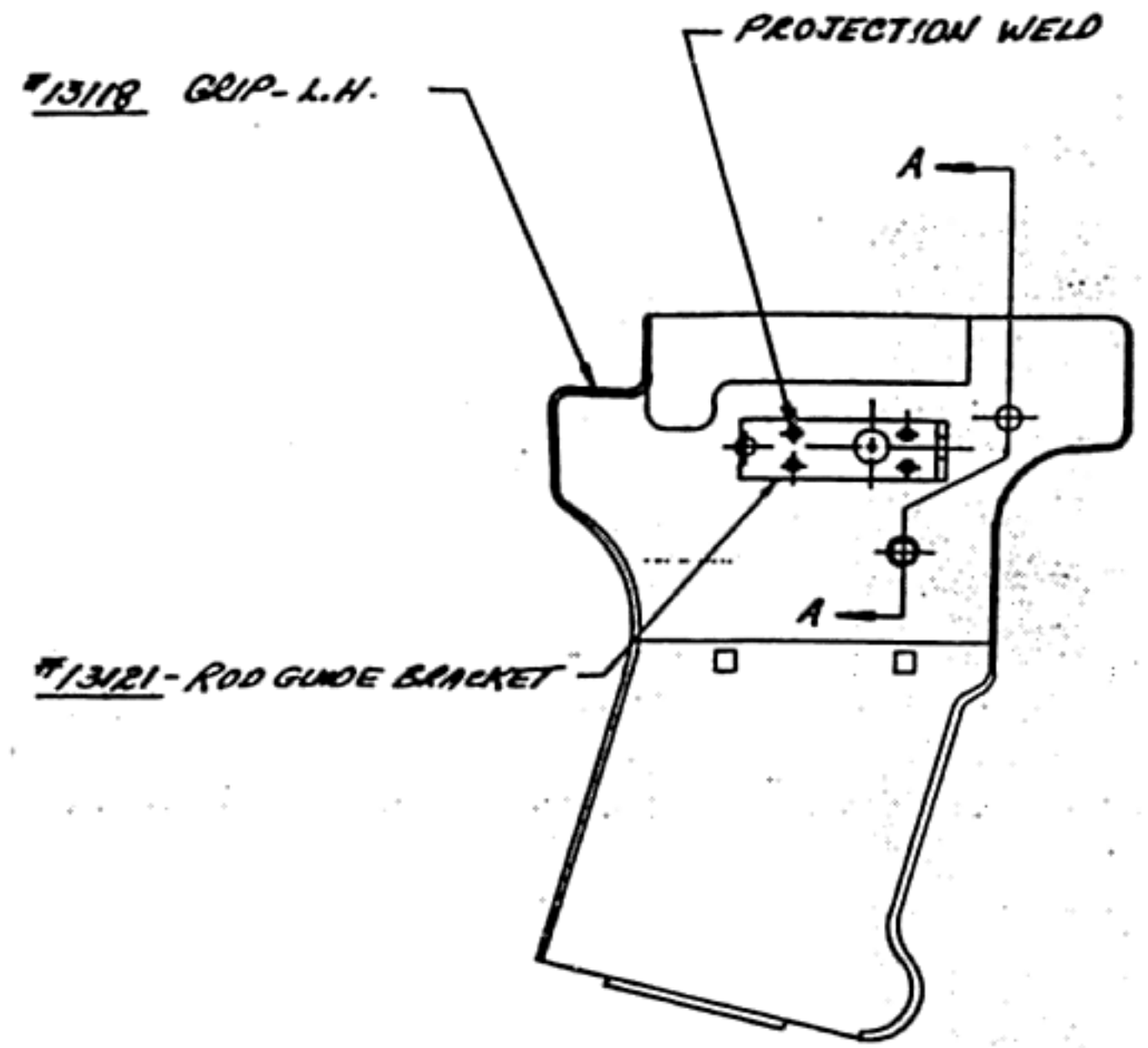
REPRODUCED FROM THE U.S. PATENT OFFICE RECORDS

Part Nomenclature	"Cover Name"	Drawing Number
1. Handgrip	Grip, Left-hand	13108
2. Right Handgrip	Grip, Right-hand	13108-13109
3. Breechblock	Cover, Slide	13127
4. Breechblock Spring	Lock Spring	13119
5. Breechblock Spring Pin	Rivet Lock	13118
6. Barrel Strap	Tube Strap	13125
7. Barrel	Tube	13110
8. Trigger Guard	Spanner	13126
9. Cocking Knob	Control Handle	13124
10. Breechblock Guide Pin	Guide Pin	13124-1
11. Firing Pin	Control Rod-Upper Part	13124
12. Cocking Knob Guide Rod	Control Rod-Lower Part	13120-13124
13. Guide Rod Support	Rod Guide Bracket	13121
14. Guide Rod Spring	Control Rod Spring	13132
15. Guide Rod Collar	Collar	13122
16. Guide Rod Collar Pin	Collar Pin	13123
17. Trigger	Yoke	13113-13131
18. Trigger Spring	Yoke Spring	13115
19. Trigger Connector	Yoke Lever	13114
20. Trigger Connector Pin	Shoulder Rivet	13116
21. Trigger Hinge Pin	Rivet-Yoke	13117
22. Trigger Spacers, 2 each	Spacer	EX-1174-1
23. Magazine Plate	Snap Cover	13112

Also shown are assembly drawing numbers: 13111, 13128, 13129, 13130, 13131 & 13154.
Drawing 13133 is a list of the drawings.

INLAND MANUFACTURING DIVISION

GENERAL MOTORS CORPORATION
DAYTON, OHIO



LET	CHANGES	DATE	C'NB	REF. NO.	LET	CHANGES	DATE	C'NB	REF. NO.

VARIES ALLOWED PLUS OR MINUS .010 ON FRACTIONAL AND PLUS OR MINUS .005 ON DECIMAL DIMENSIONS UNLESS OTHERWISE SPECIFIED

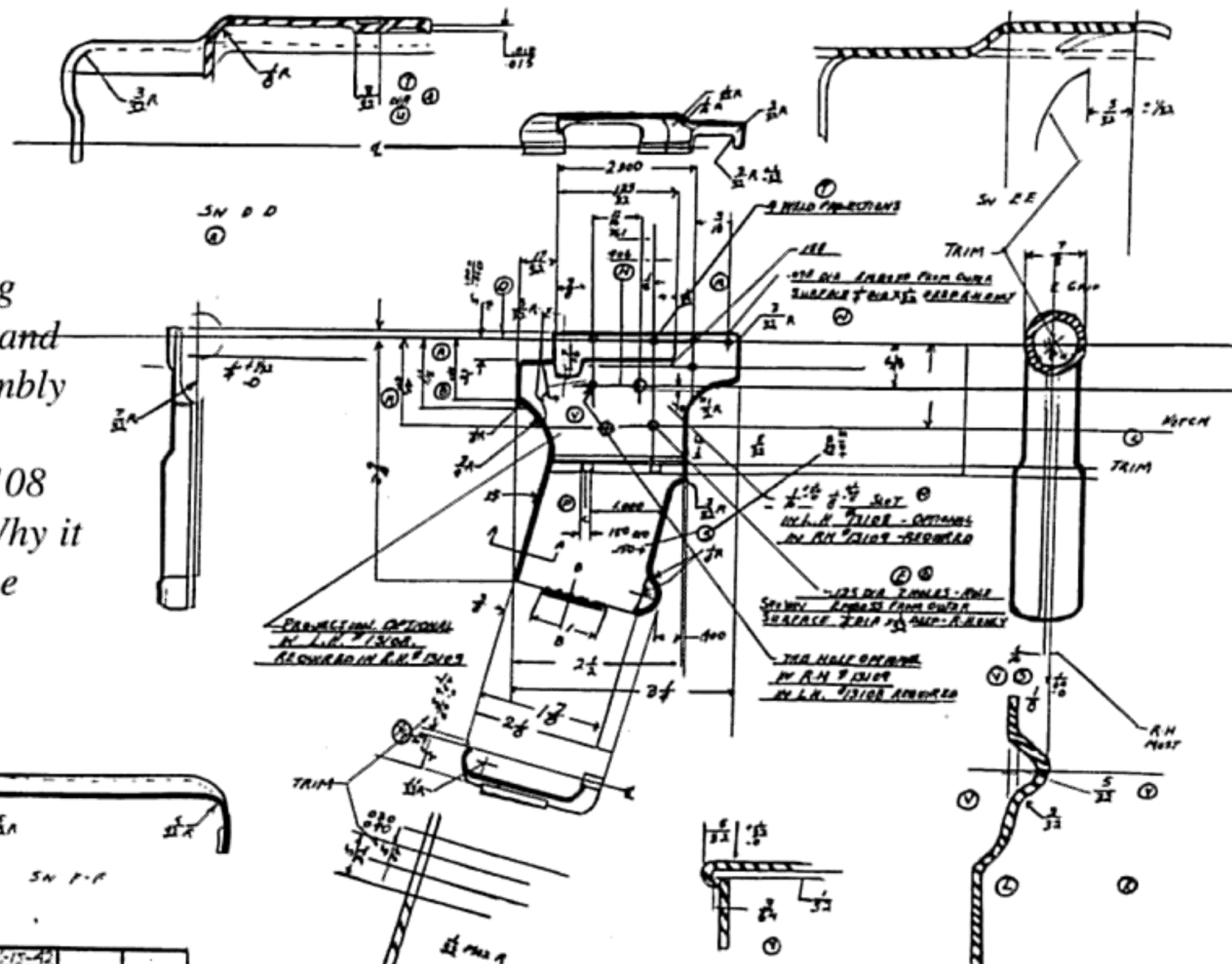
DO NOT SCALE

MAT'L	C.R.S.	SPEC.	REL. NO.	DATE
FINISH		SPEC.	SCALE	5-15-42
DRAWN BY	DATE STARTED	FISHED	CHECKED	DATE
	5-15-42			5-15-42
NAME	GRIP L.H. ASSEMBLY			DRAWING & PART NO.
				13108

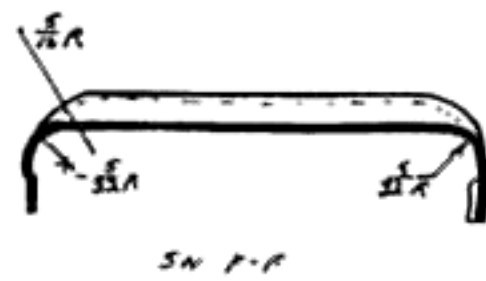
INLAND MANUFACTURING DIVISION

GENERAL MOTORS CORPORATION
DAYTON, OHIO

Note: Drawing 13109 should be of the right handgrip. This drawing shows both handgrips and appears to be an assembly drawing. The original drawing shows the 13108 and 13109 numbers. Why it is named "Sub Machine Gun" is unknown.



ADDED NOTE	517-42
150° WAS .140°	7-9-42
WAS 3/32 DIA .140°	6-22-42
33/42 WAS 15/16	4-18-42
ADDED 1/4	5-11-42
ADDED NOTE	6-11-42



X	1/16\"/>
---	----------

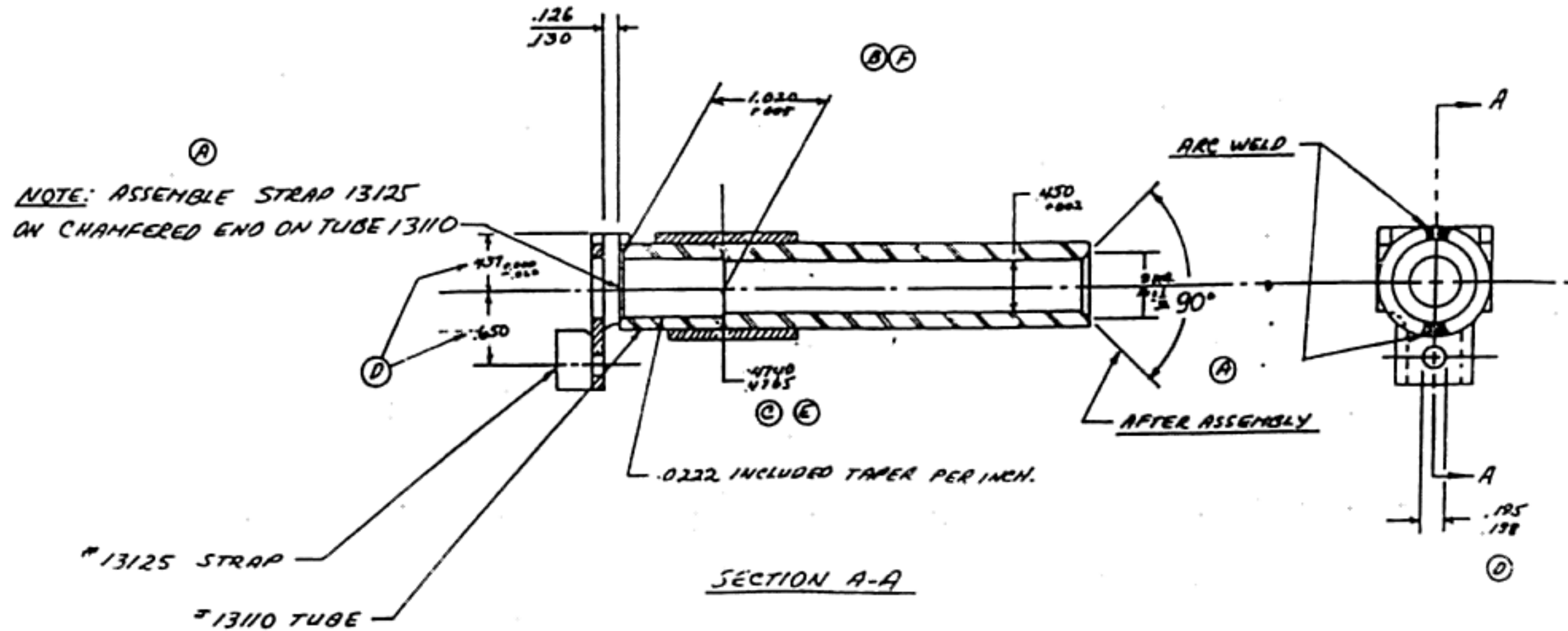
W	1/16\"/>
---	----------

DO NOT SCALE

MAT'L	SPEC.	REL. NO.	DATE
FINISH	SPEC.	SCALE	
DRAWN BY	DATE STARTED	FISHED	CHECKED
	5-6-42		
DATE	APPROVED	DATE	
NAME	SUB MACHINE GUN		DRAWING & PART NO.
			13108 13109

INLAND MANUFACTURING DIVISION

GENERAL MOTORS CORPORATION
DAYTON, OHIO

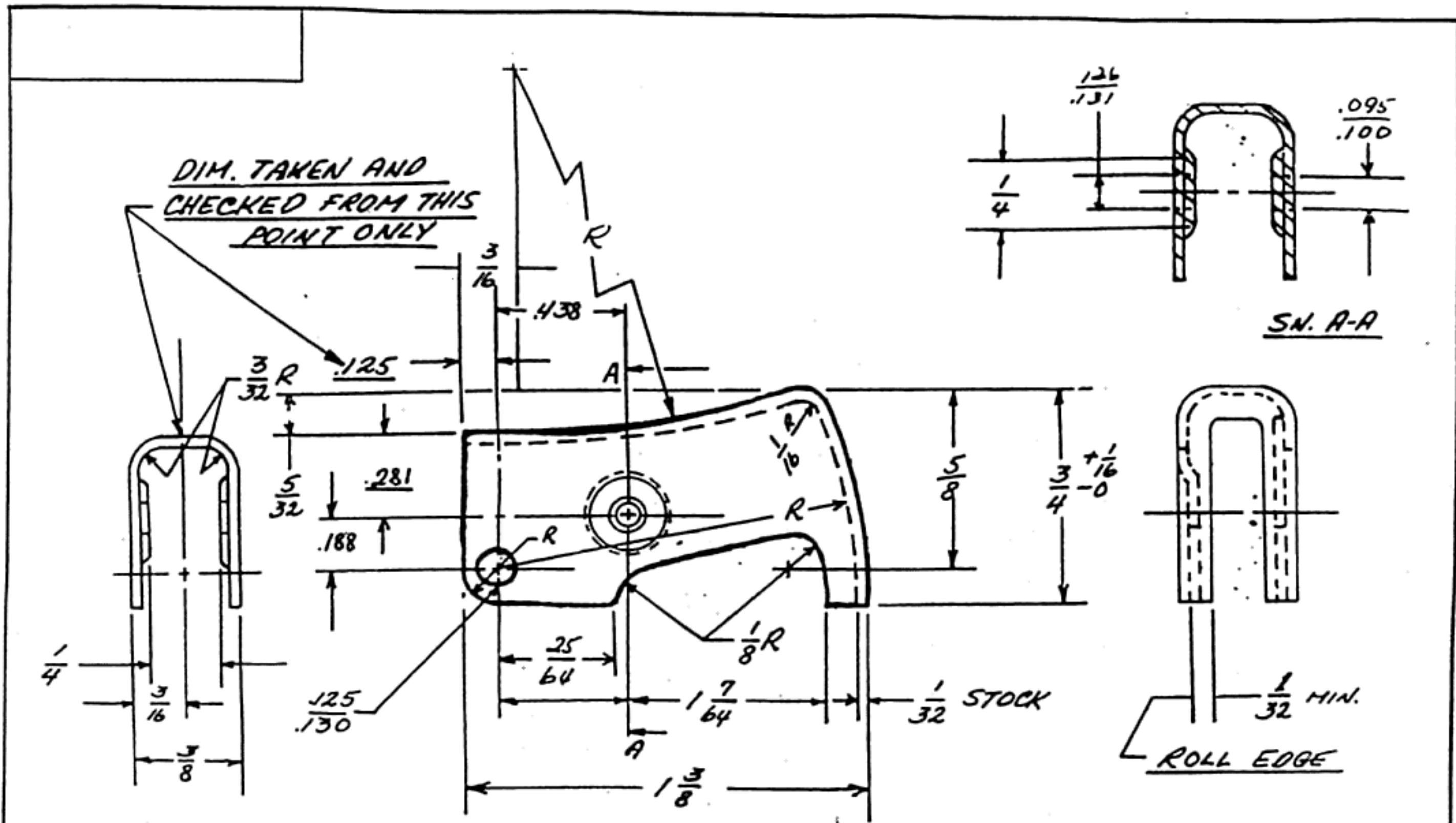


LET	CHANGES	DATE	C'ER	REF. NO.	LET	CHANGES	DATE	C'ER	REF. NO.
					E	IN 715 WAS .4756			
					D	O.M. ADDED	2-9-42		
					C	7740 ADLS WAS 772/1173	6-25-42		
					B	.006 WAS .008	6-25-42		
					A	NOTES ADDED	5-16-42		
					F	WAS 1.025 + .006	2-15-42		

VARIATION ALLOWED PLUS OR MINUS .010 ON FRACTIONAL AND PLUS OR MINUS .005 ON DECIMAL DIMENSIONS UNLESS OTHERWISE SPECIFIED										DO NOT SCALE	
MATERIAL		C. R. S.		SPEC.		REL. NO.		DATE		5-13-42	
FINISH				SPEC.		SCALE					
DRAWN BY		HAMISCH		DATE STARTED		FINISHED		CHECKED		DATE	
				5-13-42						APPROVED	
										DATE	
										5-15-42	
NAME										DRAWING & PART NO.	
TUBE & STRAP ASSEMBLY										13111	

INLAND MANUFACTURING DIVISION

GENERAL MOTORS CORPORATION
DAYTON, OHIO



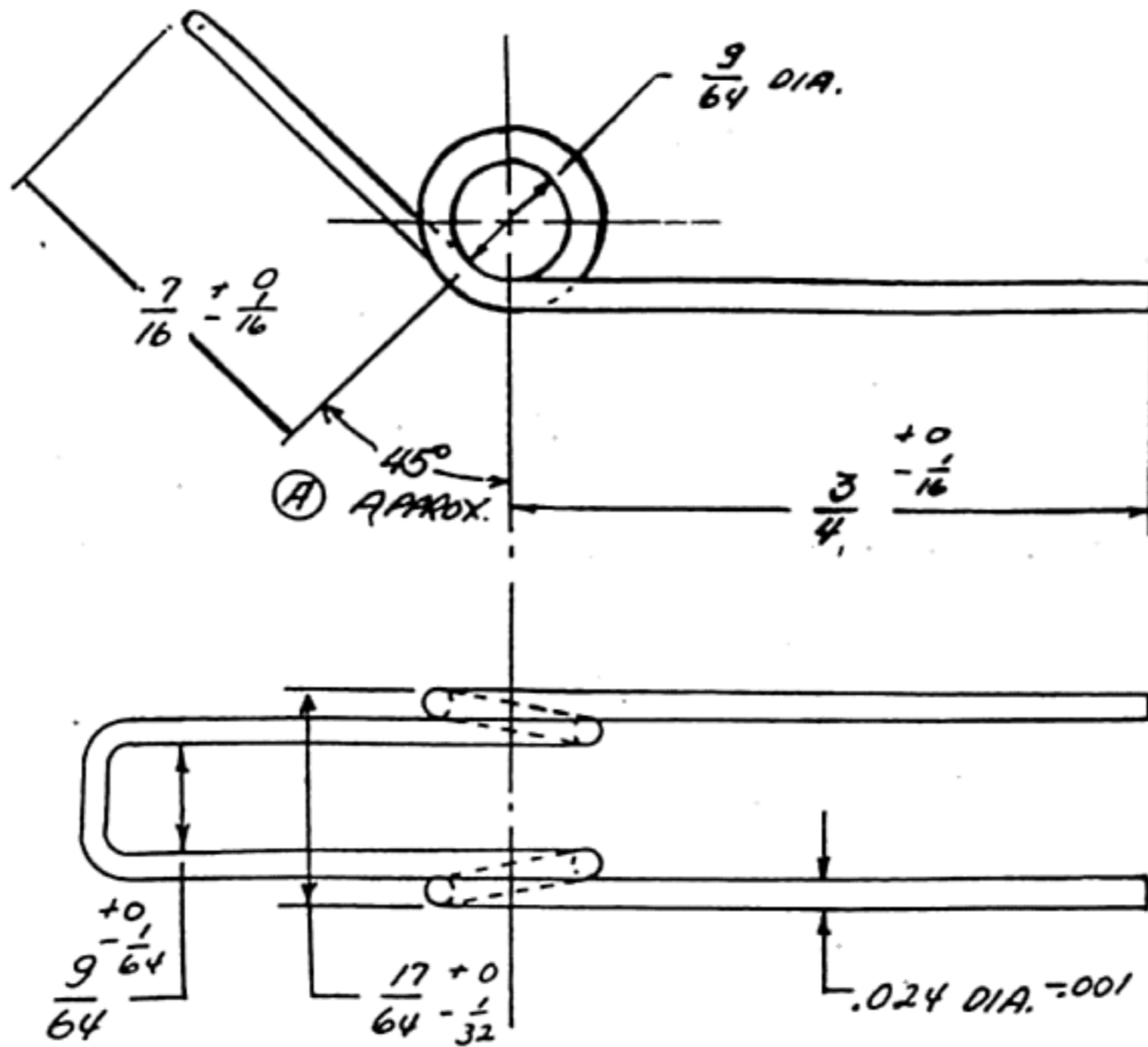
VARIAION ALLOWED PLUS OR MINUS .010 ON FRACTIONAL AND PLUS OR MINUS .005 ON DECIMAL DIMENSIONS UNLESS OTHERWISE SPECIFIED

DO NOT SCALE

				MAT'L	C.R.S.	SPEC.	GM 1010	REL. NO.	DATE	5-13-42	
				FINISH		SPEC.		SCALE	DOUBLE		
				DRAWN BY	ERBERT	DATE STARTED	5-1-42	FINISHED	CHECKED	DATE	
				NAME	YOKE				APPROVED	DATE	
LET	CHANGES	DATE	C'KR	REF. NO.	DRAWING & PART NO. 13113						
B	DIM. MOVED	5-13-42									
A	WAS .125-130										

INLAND MANUFACTURING DIVISION

GENERAL MOTORS CORPORATION
DAYTON, OHIO



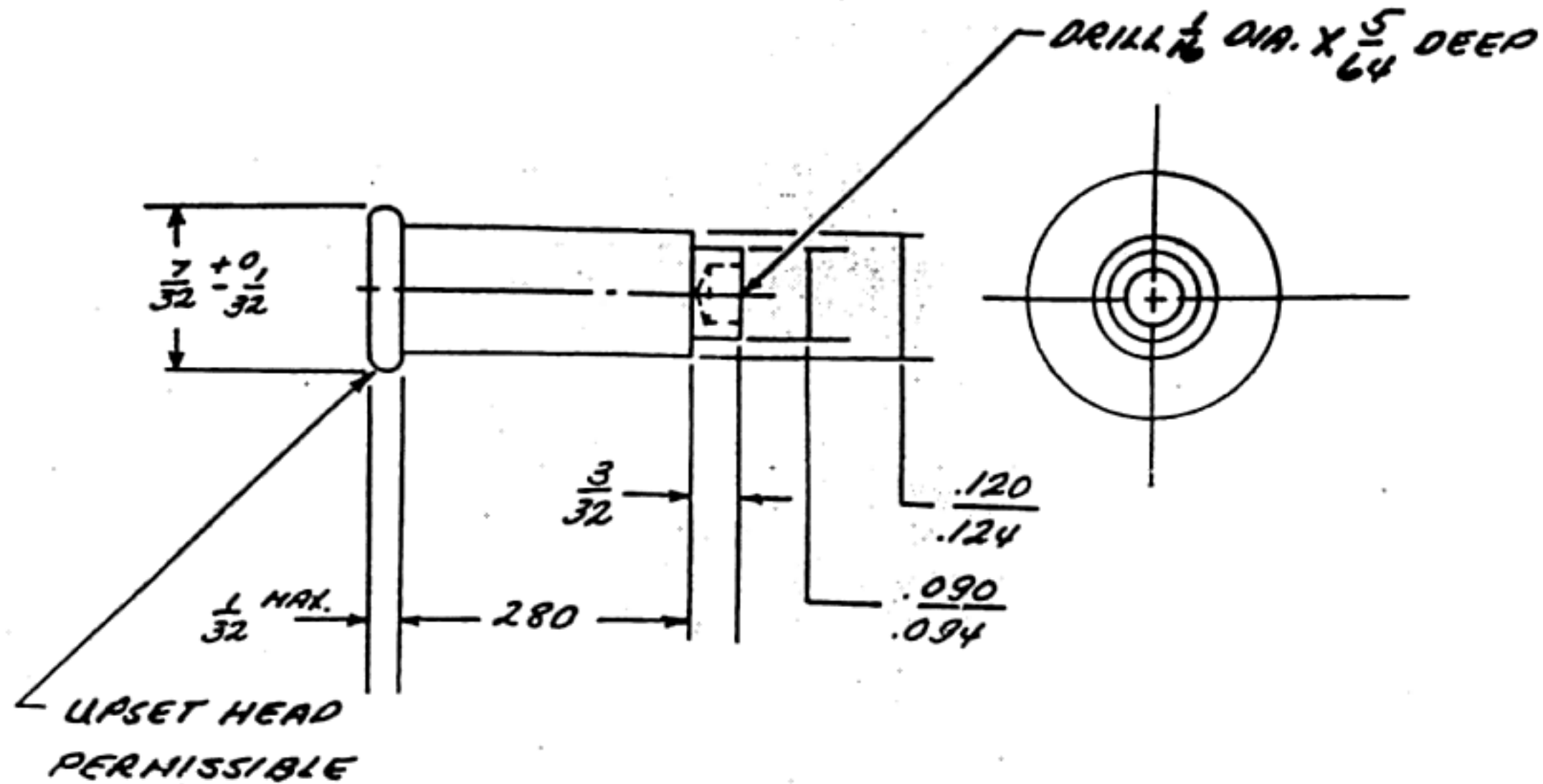
VARIAION ALLOWED PLUS OR MINUS .010 ON FRACTIONAL AND PLUS OR MINUS .005 ON DECIMAL DIMENSIONS UNLESS OTHERWISE SPECIFIED

DO NOT SCALE

					MAT'L MUSIC WIRE	SPEC.	REL. NO.	DATE 5-13-42
					FINISH STRESS RELIEVE	SPEC.	SCALE 4X SIZE	
					DRAWN BY Erp	DATE STARTED 5-7-42	FINISHED	CHECKED
							DATE	APPROVED
					NAME YOKE SPRING	DRAWING & PART NO. 13115		
A	45° ADDED	5-13-42						
LET	CHANGES	DATE	C'R	REF. NO.				

INLAND MANUFACTURING DIVISION

GENERAL MOTORS CORPORATION
DAYTON, OHIO



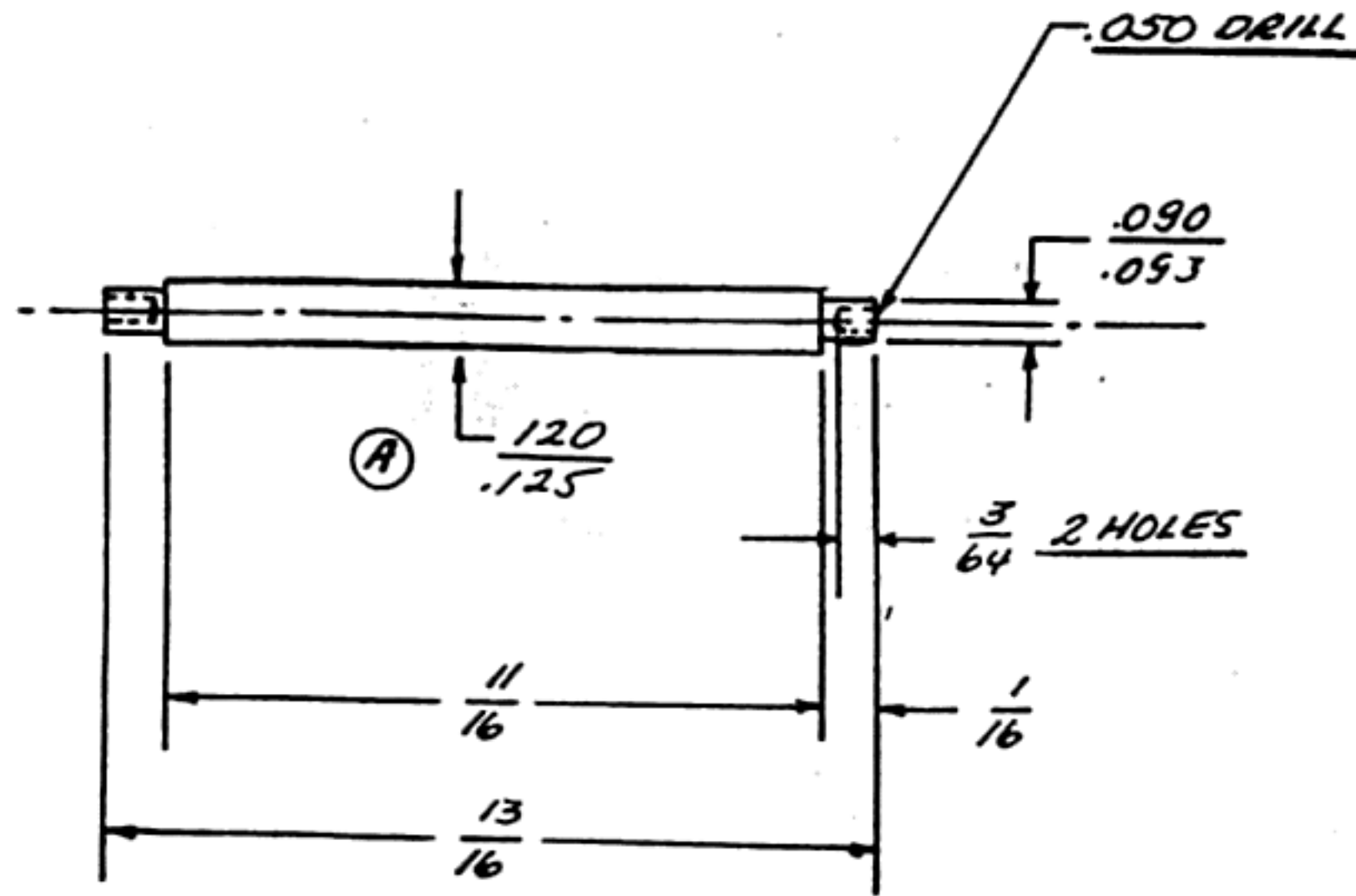
VARATION ALLOWED PLUS OR MINUS .010 ON FRACTIONAL AND PLUS OR MINUS .005 ON DECIMAL DIMENSIONS UNLESS OTHERWISE SPECIFIED

DO NOT SCALE

					MAT'L	C.R.S	SPEC.	REL. NO.	DATE
					FINISH		SPEC.	SCALE	5 X SIZE
					DRAWN BY	Everitt	DATE STARTED	5-2-42	DATE APPROVED
							FINISHED	CHECKED	DATE
					NAME	SHOULDER RIVET			DRAWING & PART NO.
									13116
A	ADDED NOTE ON HEAD	5-15-42							
LET	CHANGES	DATE	C'R	REF.NO.					

INLAND MANUFACTURING DIVISION

GENERAL MOTORS CORPORATION
DAYTON, OHIO



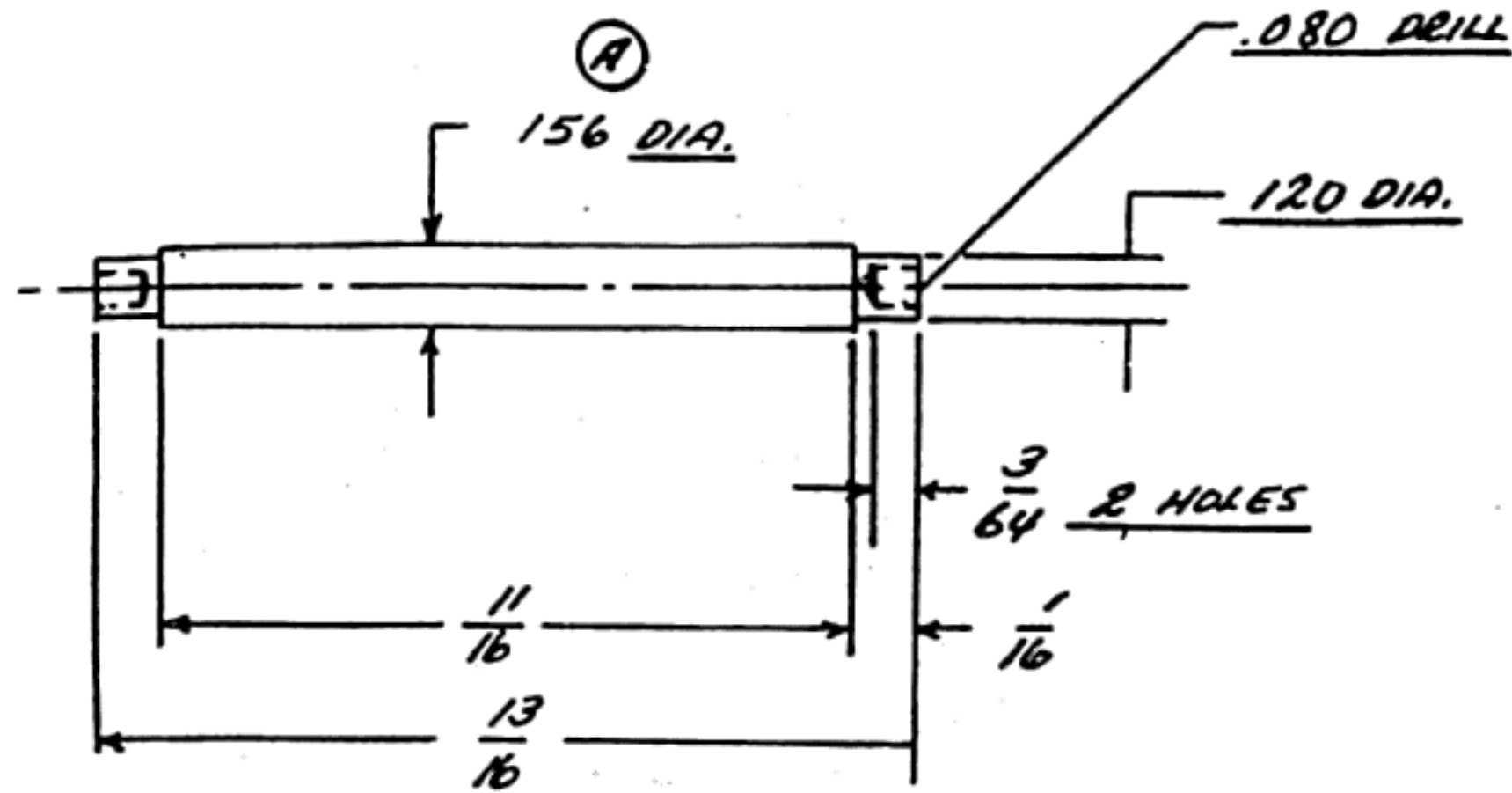
VARIATION ALLOWED PLUS OR MINUS .010 ON FRACTIONAL AND PLUS OR MINUS .003 ON DECIMAL DIMENSIONS UNLESS OTHERWISE SPECIFIED

DO NOT SCALE

					MAT'L	C.R.S.	SPEC.	REL. NO.	DATE	5-13-42			
					FINISH		SPEC.	SCALE	4X SIZE				
					DRAWN BY	<i>Cravitt</i>	DATE STARTED	FINISHED	CHECKED	DATE	APPROVED	DATE	5-15-42
					NAME	RIVET YOKE				DRAWING & PART NO.		13117	
A	STOCK DIA.	5-15-42											
LET	CHANGES	DATE	C'R	REF. NO.									

INLAND MANUFACTURING DIVISION

GENERAL MOTORS CORPORATION
DAYTON, OHIO



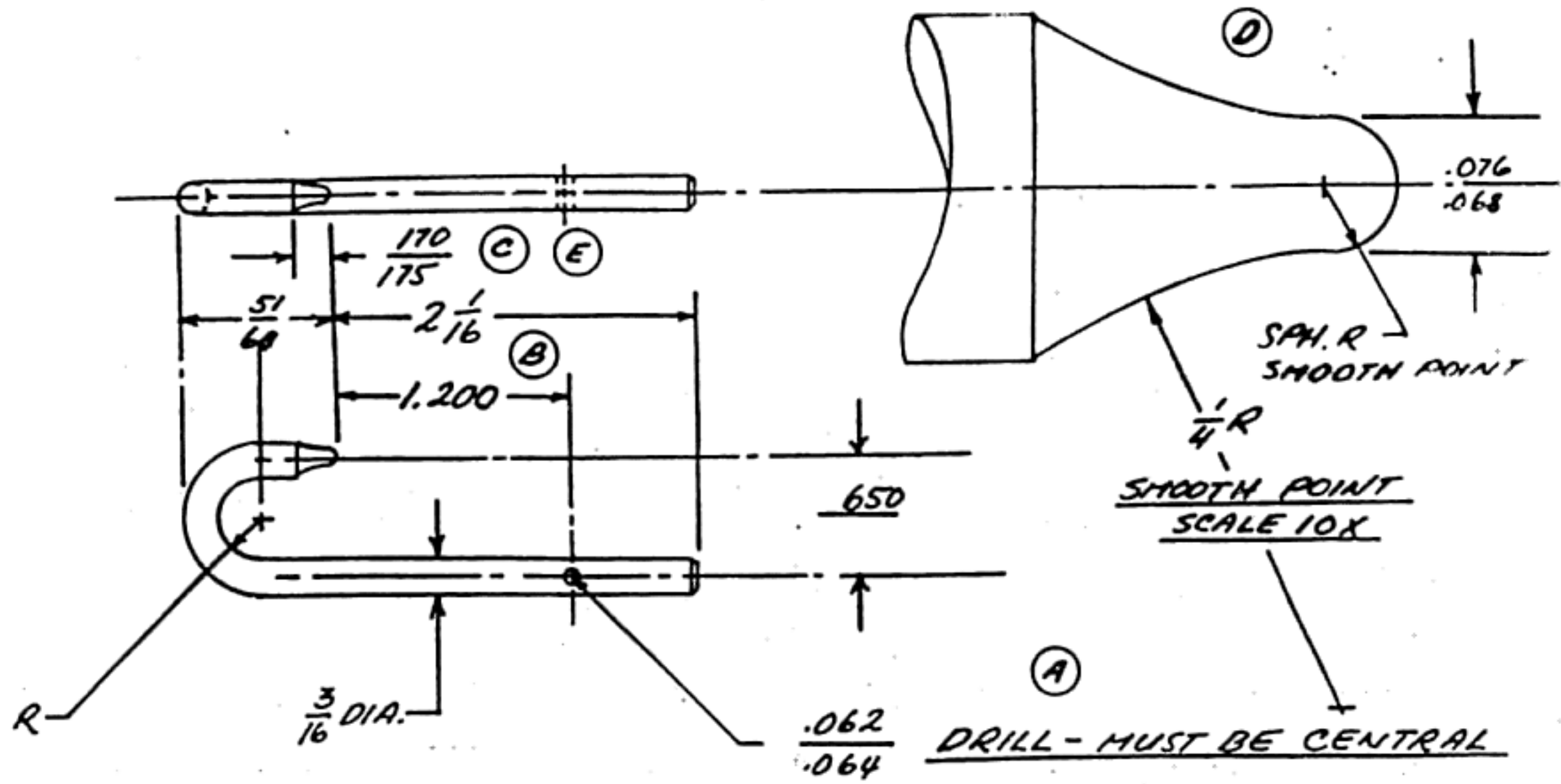
VARIAION ALLOWED PLUS OR MINUS .010 ON FRACTIONAL AND PLUS OR MINUS .005 ON DECIMAL DIMENSIONS UNLESS OTHERWISE SPECIFIED

DO NOT SCALE

				MAT'L	C.R.S.	SPEC.	REL. NO.	DATE	5-13-42	
				FINISH		SPEC.	SCALE	4X SIZE		
				DRAWN BY	Everitt	DATE STARTED	5-9-42	FINISHED	CHECKED	
				DATE		APPROVED		DATE	5-13-42	
				NAME	RIVET. LOCK				DRAWING & PART NO.	13118
A	.156 WAS .165			LET	CHANGES	DATE	C'R	REF. NO.		

INLAND MANUFACTURING DIVISION

GENERAL MOTORS CORPORATION
DAYTON, OHIO



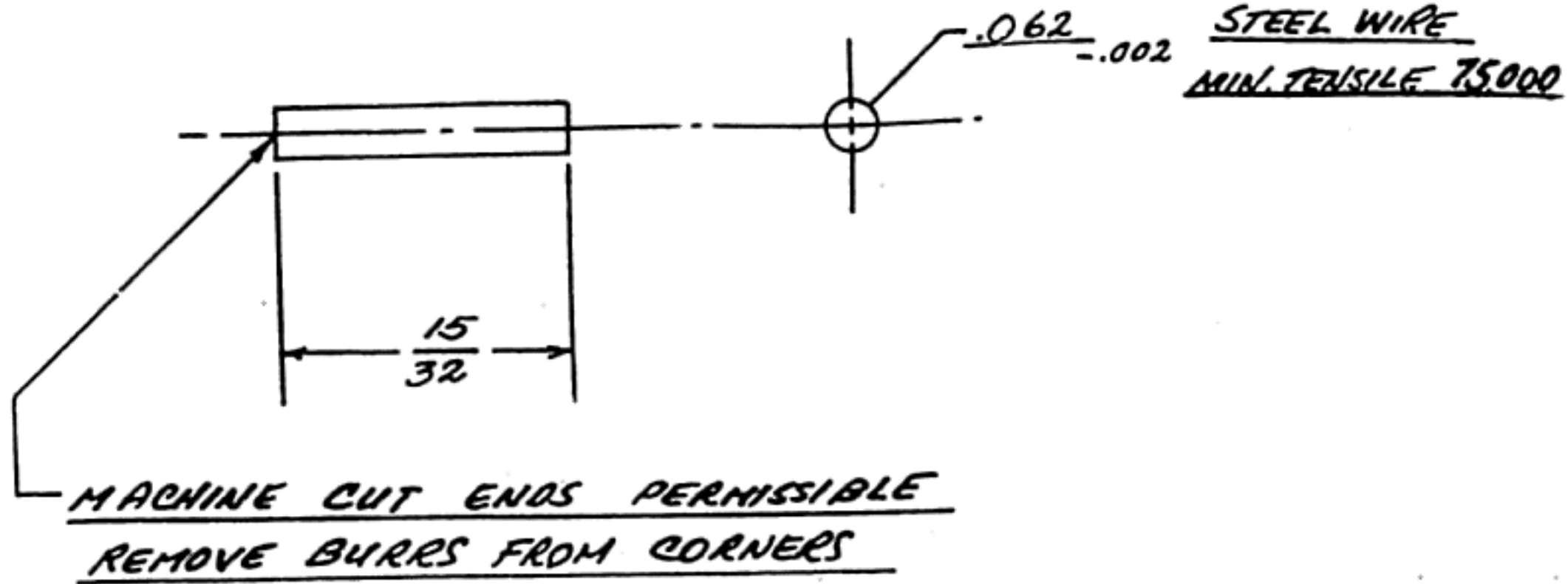
VARATION ALLOWED PLUS OR MINUS .010 ON FRACTIONAL AND PLUS OR MINUS .005 ON DECIMAL DIMENSIONS UNLESS OTHERWISE SPECIFIED

DO NOT SCALE

LET	CHANGES	DATE	C'KR	REF. NO.	MAT'L	FINISH	SPEC.	REL. NO.	DATE
F	.002-.006 WAS .004-.008	6-1-42			COLD DRAWN WIRE	CYANIDE .002-.006 DEEP	0101 OR EQUIV		5-13-42
E	76/75 WAS .210	6-1-42						SCALE FULL	
D	NOSE REVISED	5-21-42			DRAWN BY	DATE STARTED	FINISHED	CHECKED	DATE APPROVED
C	.210 WAS .190	5-20-42			Ernest	5-5-42			5-15-42
B	1.200 WAS 1.250	5-20-42			NAME				DRAWING & PART NO.
A	ADDED CENTRAL	5-15-42			CONTROL ROD				13120

INLAND MANUFACTURING DIVISION

GENERAL MOTORS CORPORATION
DAYTON, OHIO



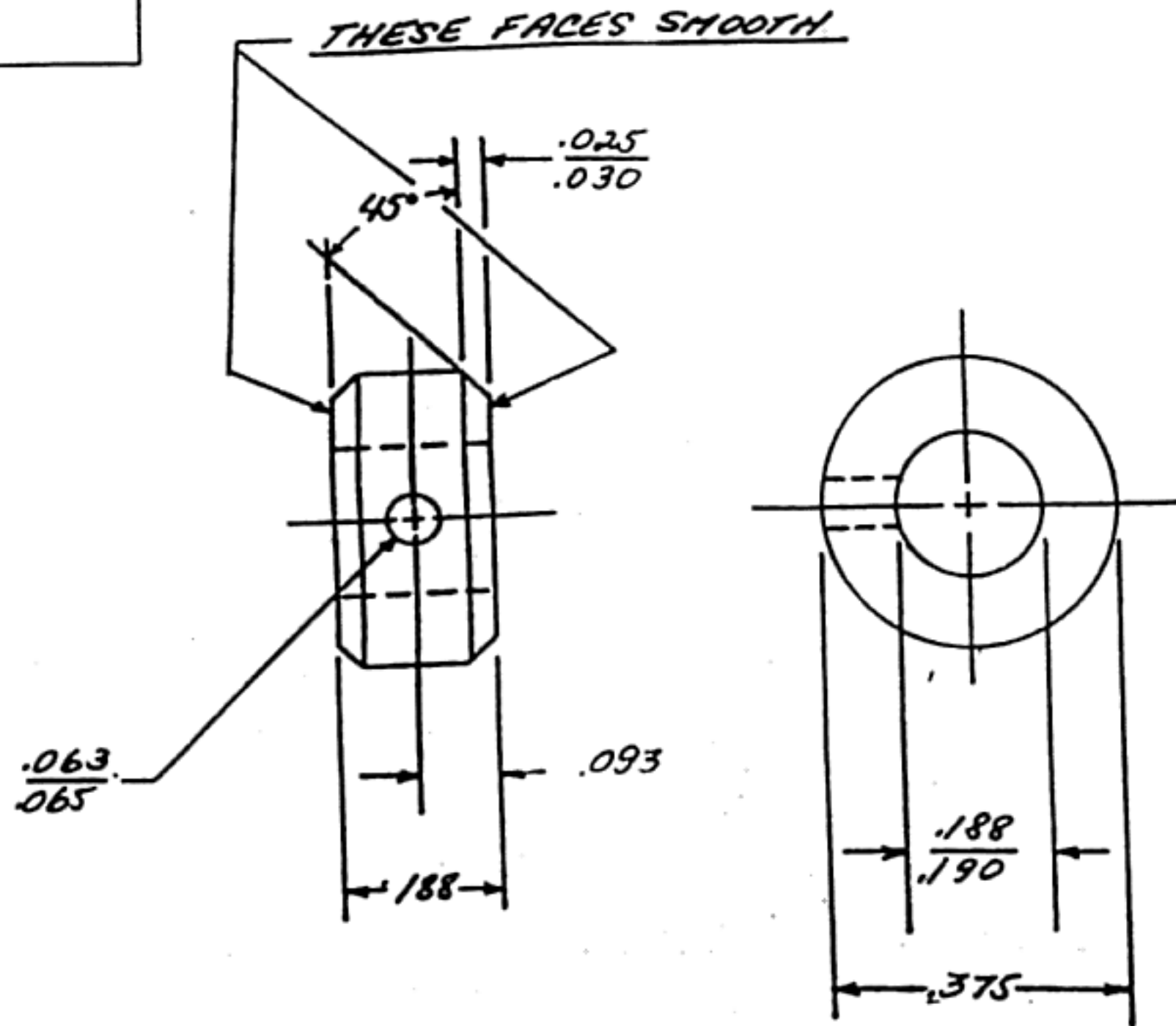
VARATION ALLOWED PLUS OR MINUS .010 ON FRACTIONAL AND PLUS OR MINUS .005 ON DECIMAL DIMENSIONS UNLESS OTHERWISE SPECIFIED

DO NOT SCALE

					MAT'L	AS NOTED	SPEC.	REL. NO.	DATE
					FINISH		SPEC.	SCALE	4X SIZE
					DRAWN BY	Erwin	DATE STARTED	5-2-42	FISHED
							CHECKED	DATE	APPROVED
									DATE
					NAME	COLLAR PIN			DRAWING & PART NO.
									13123
LET	CHANGES	DATE	C'KR	REF. NO.					

INLAND MANUFACTURING DIVISION

GENERAL MOTORS CORPORATION
DAYTON, OHIO



(A)

COMMERCIAL SCREW MACHINE STOCK

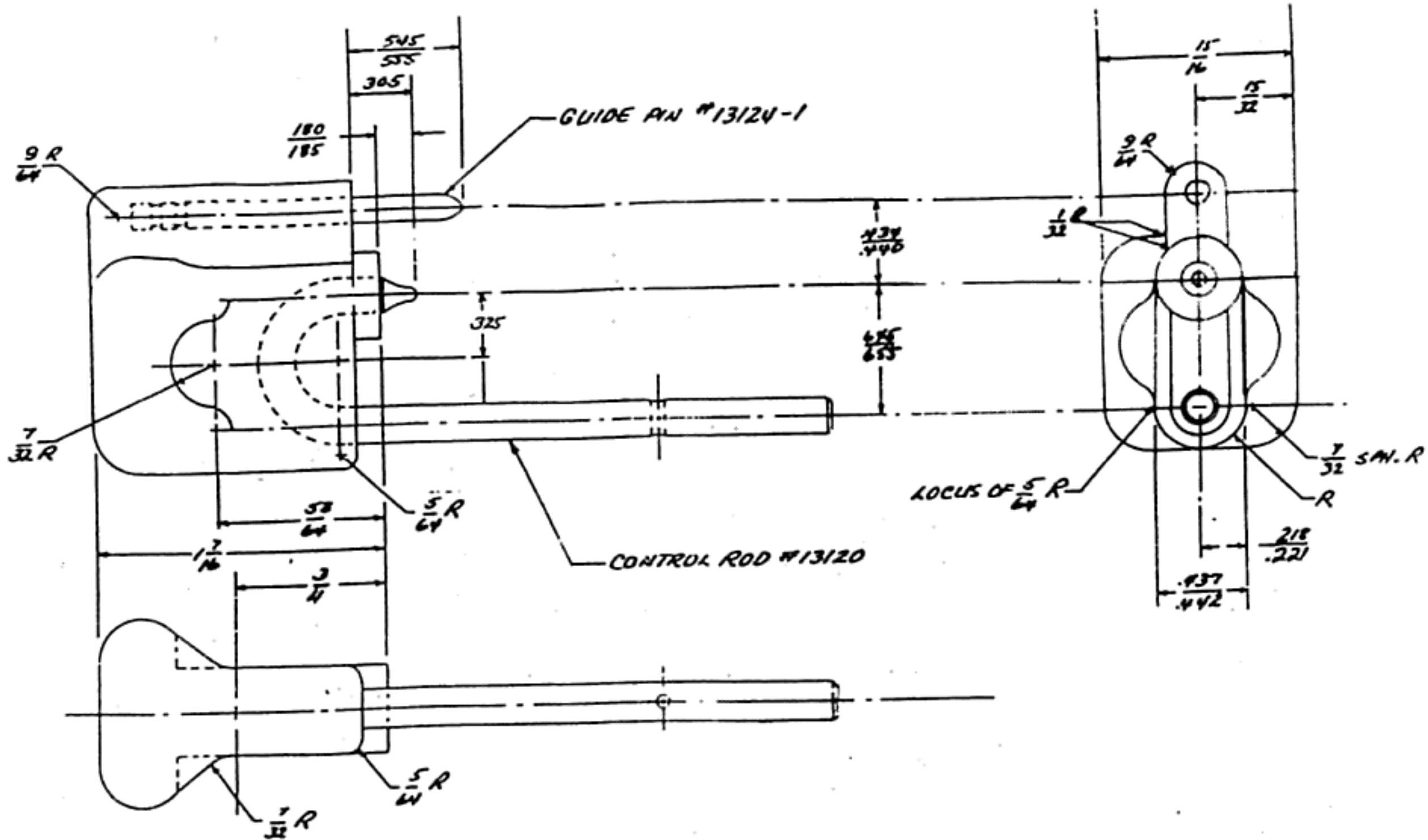
VARATION ALLOWED PLUS OR MINUS .010 ON FRACTIONAL AND PLUS OR MINUS .005 ON DECIMAL DIMENSIONS UNLESS OTHERWISE SPECIFIED

DO NOT SCALE

					MAT'L C.R.S.	SPEC. SEE ABOVE	REL. NO.	DATE 5-15-42
					FINISH CYANIDE .009-.008	SPEC.	SCALE AX SIZE	
					DRAWN BY E. J. J. J.	DATE STARTED 5-2-42	FINISHED	CHECKED
							DATE	APPROVED
								DATE 5-15-42
B	CHAMFER ADDED	5-18-42			NAME <u>COLLAR</u>			DRAWING & PART NO. 13122
A	ADDED NOTE	5-15-42						
LET	CHANGES	DATE	C'R	REF. NO.				

INLAND MANUFACTURING DIVISION

GENERAL MOTORS CORPORATION
DAYTON, OHIO



VARIOUS ALLOWED PLUS OR MINUS .001 OR FRACTIONAL AND PLUS OR MINUS .002
ON OTHER DIMENSIONS UNLESS OTHERWISE SPECIFIED

DO NOT SCALE

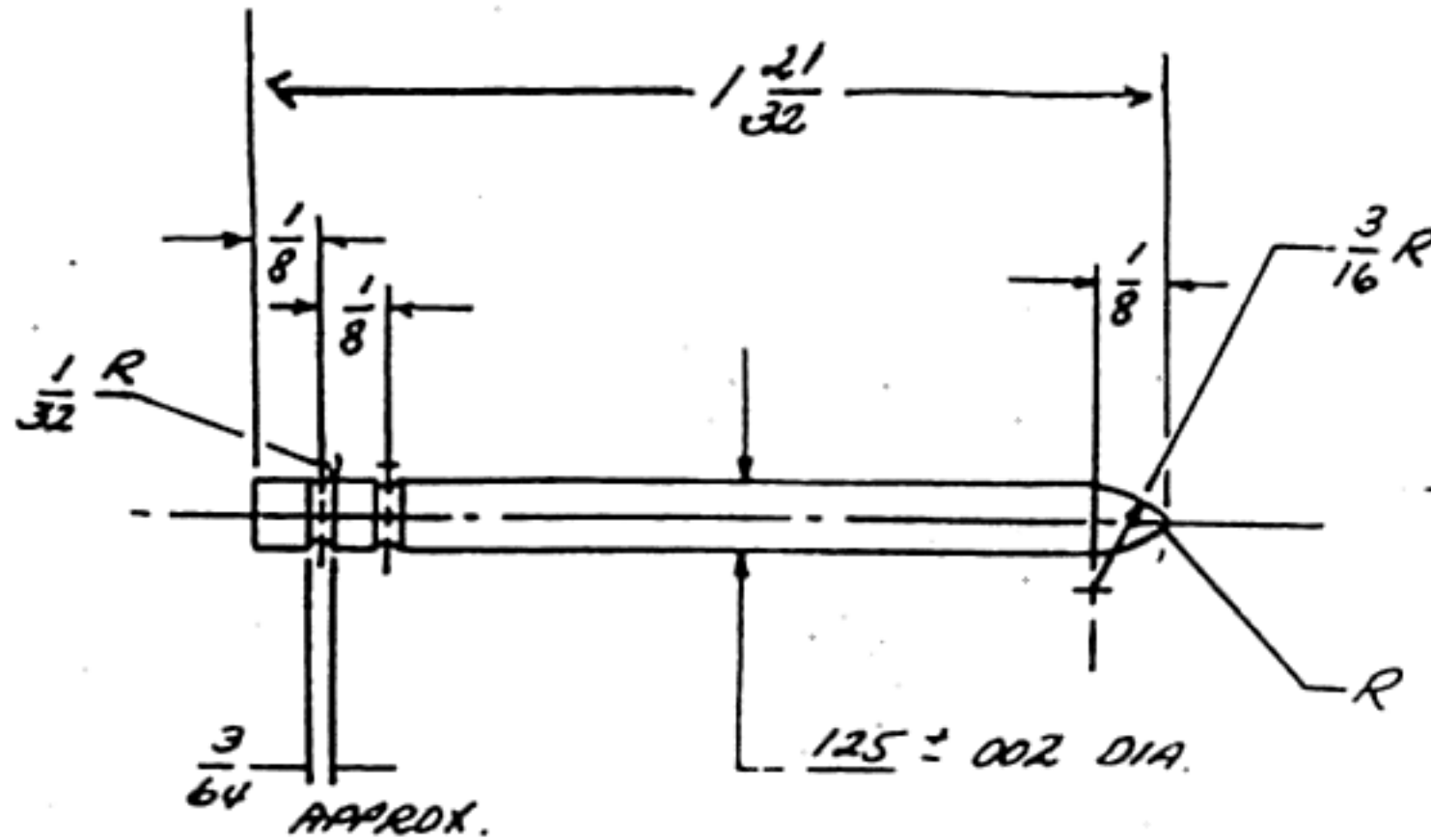
LT	CHANGES	DATE	C'N	REF. NO.	LT	CHANGES	DATE	C'N	REF. NO.

MAT'L	ZINC DIE CAST	SPEC.	REL. NO.	DATE
FINISH		SPEC.	SCALE 2X SIZE	
DRAWN BY	HAMISCH	DATE STARTED	7-6-42	
NAME	CONTROL ROD ASSEM.		DRAWING & PART NO.	13124
		FINISHED	CHECKED	DATE
		APPROVED		DATE

REDRAWN 7-5-42 P.H.

INLAND MANUFACTURING DIVISION

GENERAL MOTORS CORPORATION
DAYTON, OHIO



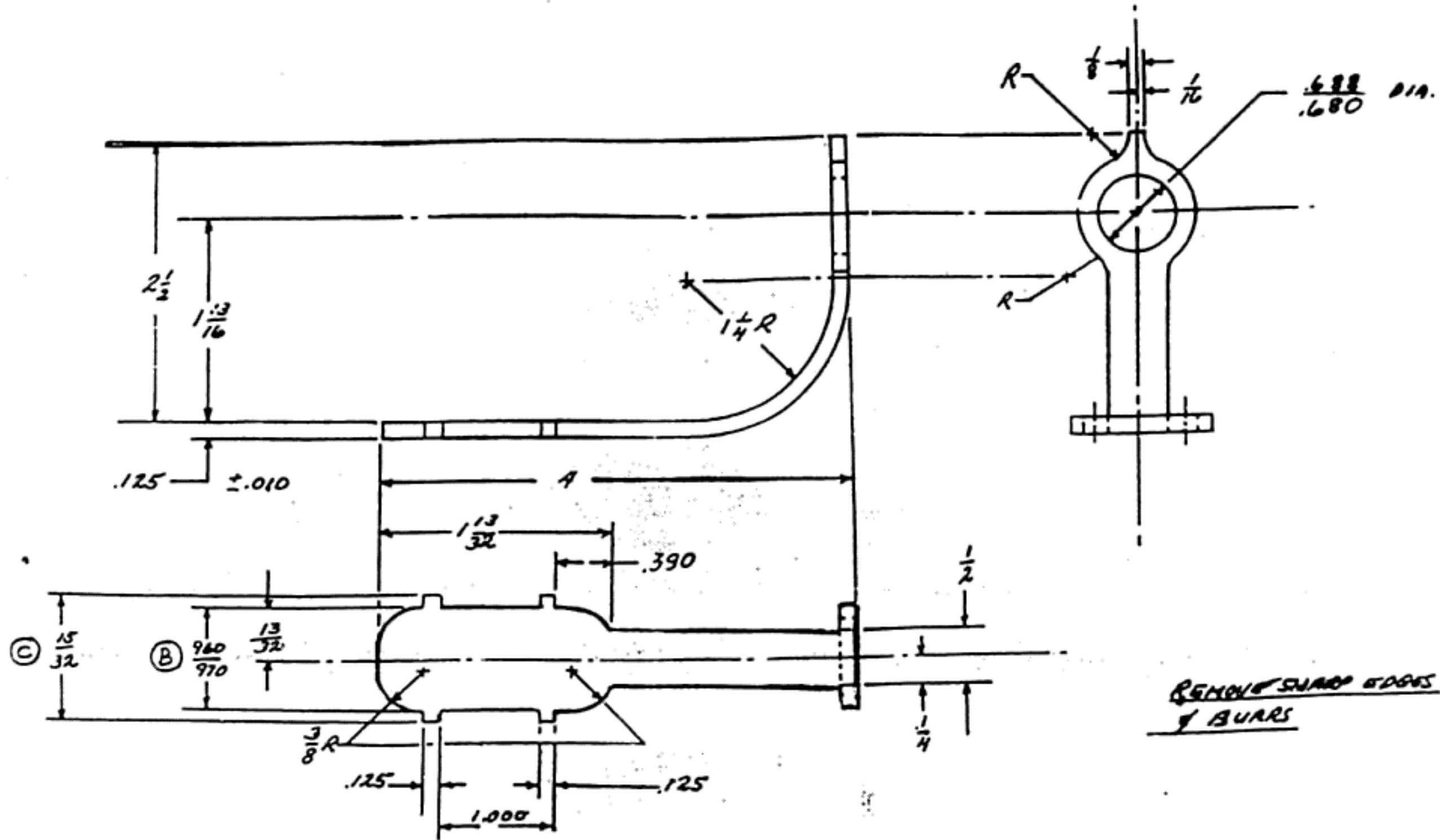
VARATION ALLOWED PLUS OR MINUS .010 ON FRACTIONAL AND PLUS OR MINUS .005 ON DECIMAL DIMENSIONS UNLESS OTHERWISE SPECIFIED

DO NOT SCALE

					MAT'L	C.R.S	SPEC.	REL. NO.	DATE
					FINISH		SPEC.	SCALE	2X SIZE
					DRAWN BY	DATE STARTED	FINISHED	CHECKED	DATE
					HAMISCH				
					NAME	GUIDE PIN			DRAWING & PART NO.
									13124-1
LET	CHANGES	DATE	C'KR	REF. NO.					

INLAND MANUFACTURING DIVISION

GENERAL MOTORS CORPORATION
DAYTON, OHIO



VARIATION ALLOWED PLUS OR MINUS .002 ON FRACTIONAL AND PLUS OR MINUS .001 ON DECIMAL DIMENSIONS UNLESS OTHERWISE SPECIFIED

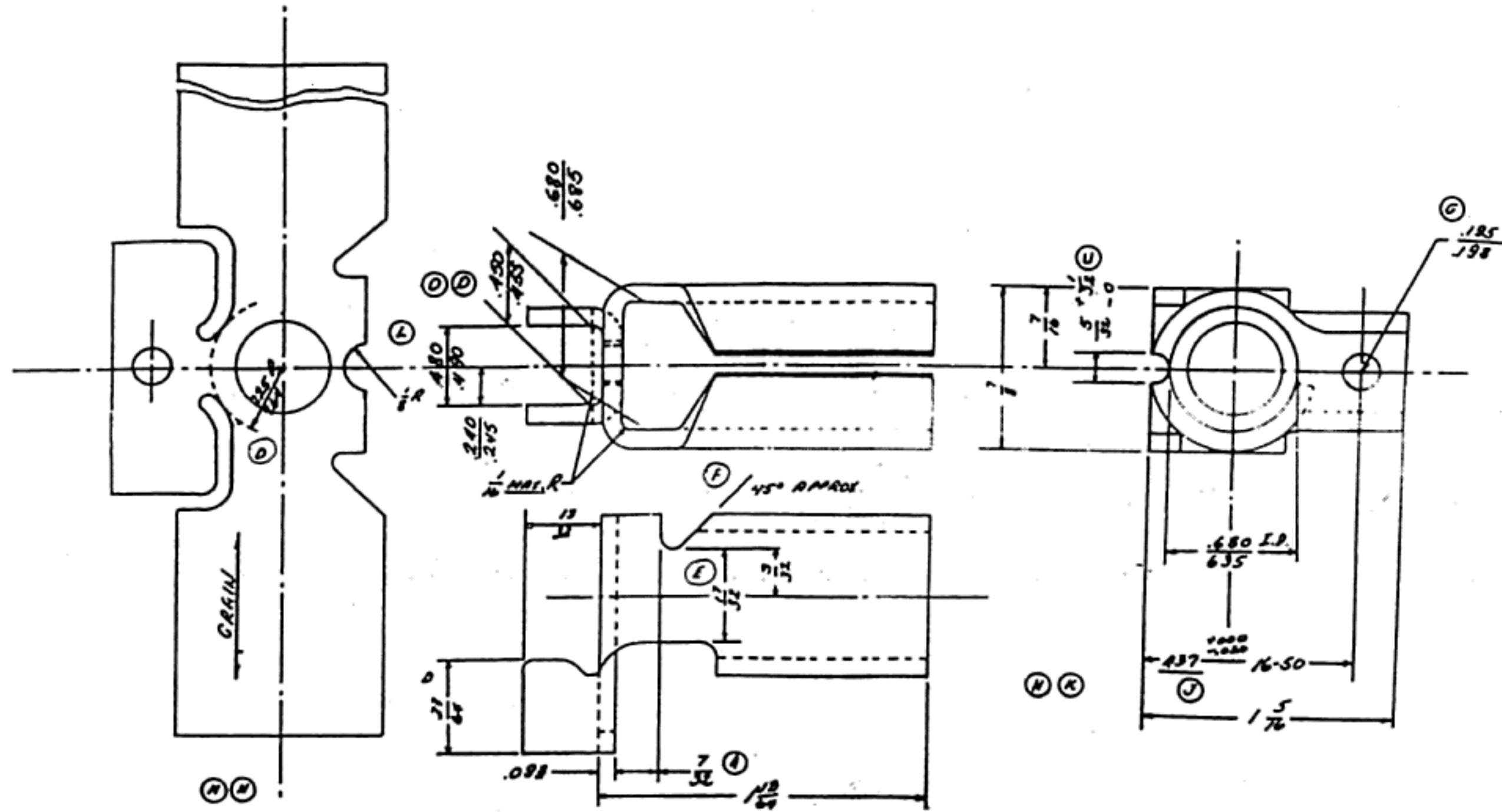
DO NOT SCALE

LET	CHANGES	DATE	C&R	REF. NO.	LET	CHANGES	DATE	C&R	REF. NO.
					C	15/16 WAS 7/8			
					B	960/970 WAS 15/16			
					A	TABS ADDED			

MATL	C.R.S.	SPEC.	GM 1010	REL. NO.	DATE
FINISH		SPEC.		SCALE	FULL
DRAWN BY	Erenib	DATE STARTED	5-5-42	FINISHED	CHECKED
DATE		DATE		APPROVED	DATE
					5-5-42
NAME				DRAWING & PART NO.	
SPANNER				13126	

INLAND MANUFACTURING DIVISION

GENERAL MOTORS CORPORATION
DAYTON, OHIO



VARIATION ALLOWED PLUS OR MINUS .010 ON FRACTIONAL AND PLUS OR MINUS .005 ON DECIMAL DIMENSIONS UNLESS OTHERWISE SPECIFIED

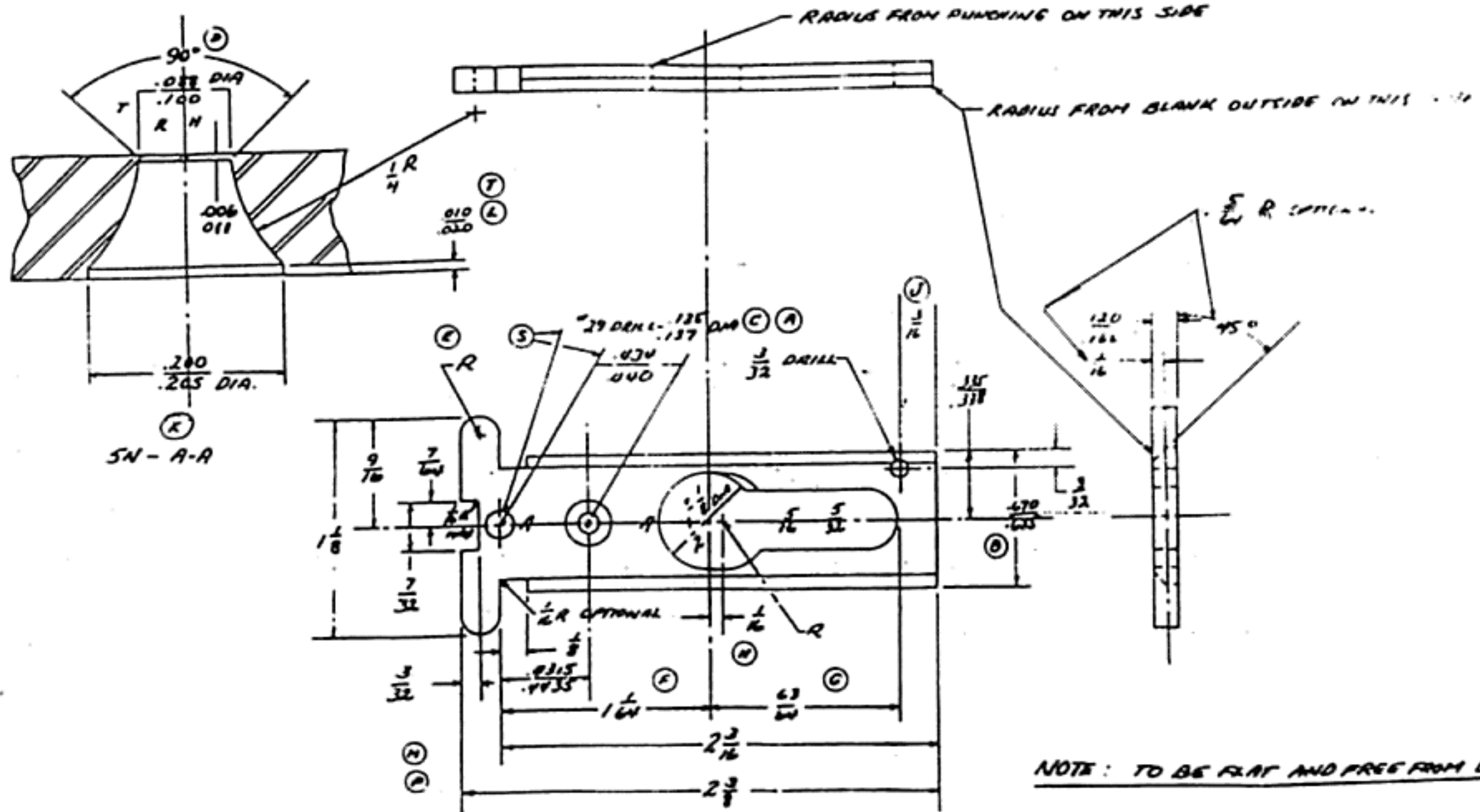
DO NOT SCALE

LET	CHANGES	DATE	C'R	REF. NO.	LET	CHANGES	DATE	C'R	REF. NO.
O	REDIMENSIONED	7-17-42			G	.185/.198 WAS INCORPORATED	5-31-42		
N	VIEW REMOVED	7-17-42			F	ANGLE ADDED	5-11-42		
M	VIEW ADDED	7-13-42			E	17/32 WAS 3/16	"		
L	SLOT ADDED	7-3-42			D	.950 CHANGED	"		
K	NOTE REMOVED	"			C	13/32 WAS 7/8	6-15-42		
J	.030 WAS 0.06	"			B	17/32 WAS 1/2	5-15-42		
H	ADDED NOTES TO L.	6-15-42			A	7/32 WAS 4/16	5-14-42		

MAT'L	C.R.S.	SPEC.	GM1010	REL. NO.	5-73-42
FINISH		SPEC.		SCALE	
DRAWN BY	Everett	DATE STARTED	5-4-42	FINISHED	
CHECKED		DATE		APPROVED	5-15-42
NAME				DRAWING & PART NO.	
TUBE STRAP				13125	

INLAND MANUFACTURING DIVISION

GENERAL MOTORS CORPORATION
DAYTON, OHIO



T	.015 WAS .016				
S	HOLE ADDED				
R	.0861.095 WAS .094				
Q	.006-.011 WAS .015				
P	437/435 WAS .007				
O	.015 X 40° CHAMFER ADDED 6-15-42				
N	WAS .086-.094 AT SURFACE 6-15-42				
M	WAS 7/16				
L	.010/.015 ADDED				
K	HOLE REVISED				
J	3/16 WAS 3/32				
H	1/16 ADDED				

G	5/16 WAS 3/32				
F	1 1/16 WAS 1 1/32				
E	.R ADDED				
D	ADDED TO L. TR'D. HOLE 5-15-42				
C	3/32 WAS 1/16 6-15-42				
B	.170 WAS .180 6-15-42				
A	1/16 HOLE ADDED 6-15-42				

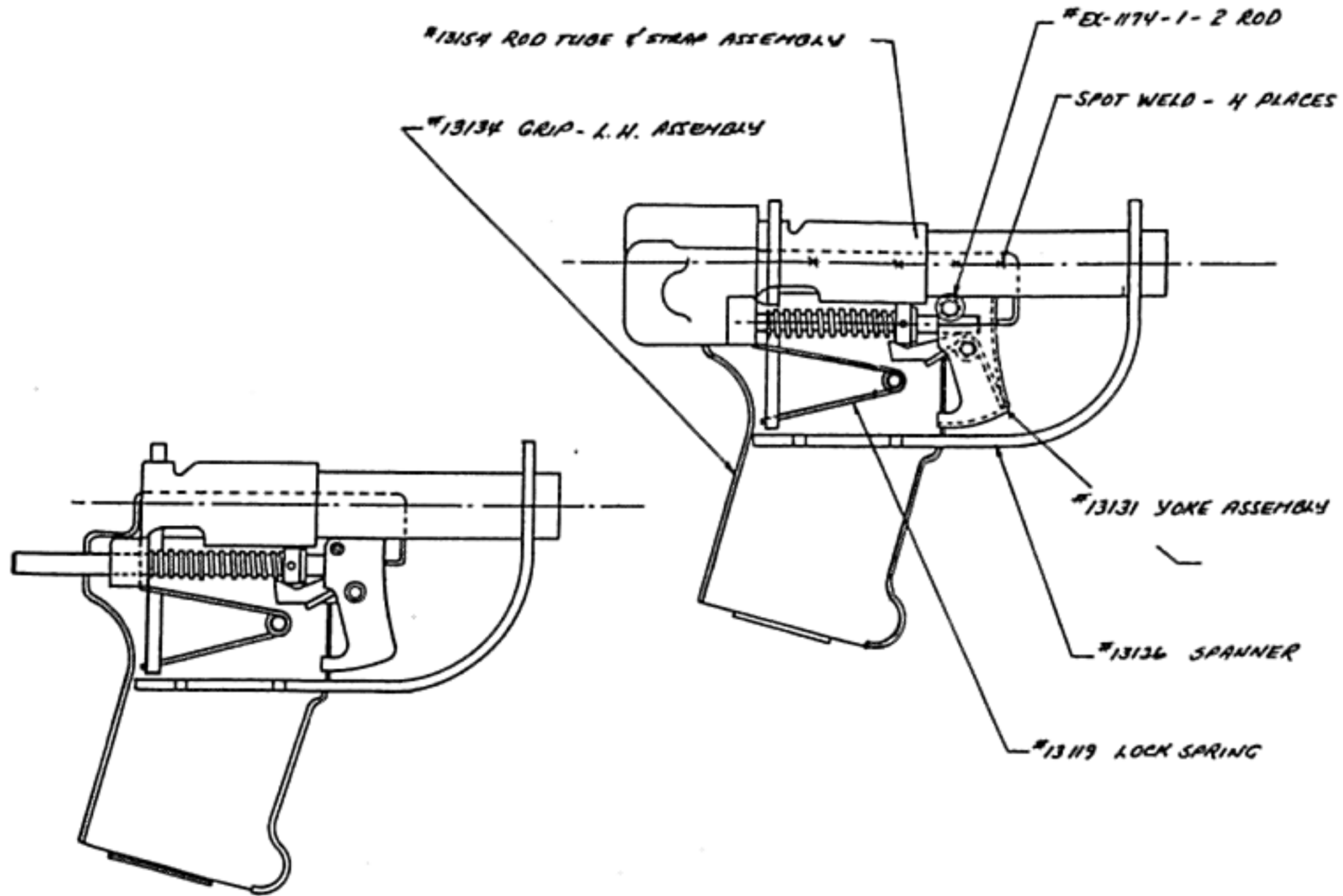
VARIATION ALLOWED PLUS OR MINUS .010 ON FRACTIONAL AND PLUS OR MINUS .005 ON DECIMAL DIMENSIONS UNLESS OTHERWISE SPECIFIED

DO NOT SCALE

MAT'L	C.R.S. HALF HARD	SPEC.	G.M. 1010	REL. NO.	6-15-42
FINISH		SPEC.		SCALE	DOUBLE
DRAWN BY	Evans	DATE ESTIMATED	5-7-42	DATE	5-15-42
NAME	COVER-SLIDE		DRAWING & PART NO.	13127	

INLAND MANUFACTURING DIVISION

GENERAL MOTORS CORPORATION
DAYTON, OHIO



OPTIONAL CONSTRUCTION
SAME AS ABOVE EXCEPT OPTIONAL ROD TUBE & STRAP ASSY.

UNLESS ALLOWED PLUS OR MINUS .010 OR FRACTIONAL AND PLUS OR MINUS .005
ON DECIMAL DIMENSIONS UNLESS OTHERWISE SPECIFIED

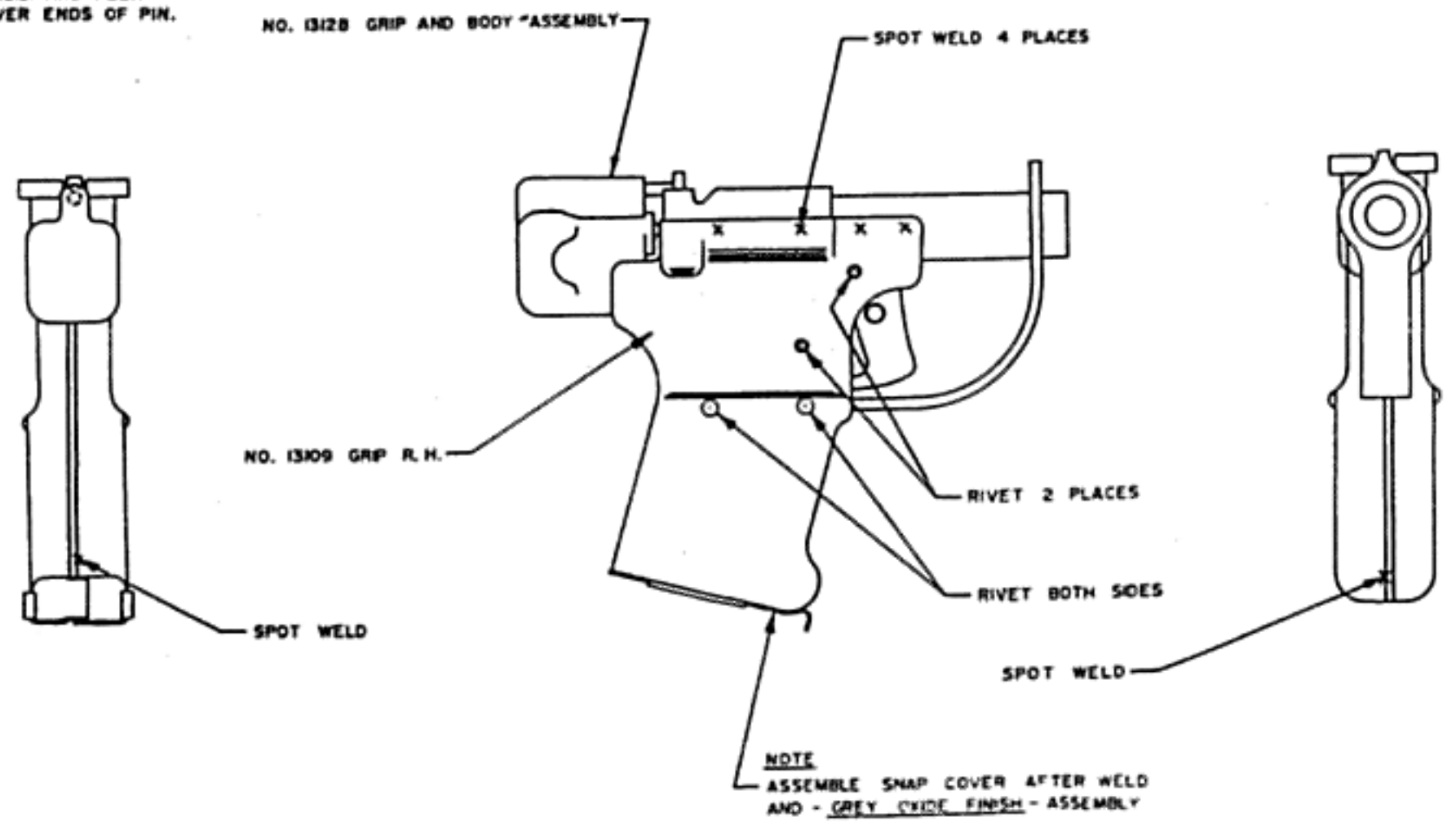
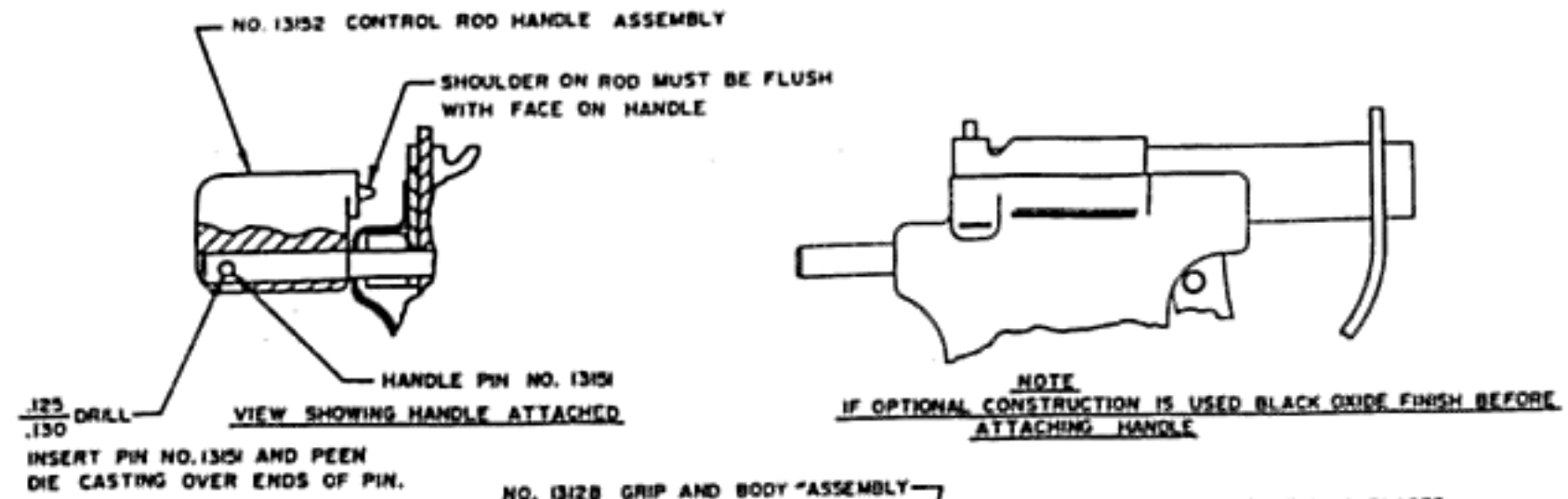
DO NOT SCALE

LET	CHANGES	DATE	C'N	REF. NO.	LET	CHANGES	DATE	C'N	REF. NO.

MAT'L	SPEC.	REL. NO.	DATE
			5-15-42
FINISH	SPEC.	SCALE	FULL
DRAWN BY	DATE STARTED	FINISHED	CHECKED
HAMISCH	5-13-42		
NAME	DRAWING & PART NO.		DATE
GRIP AND BODY ASSEMBLY	13128		5-15-42

INLAND MANUFACTURING DIVISION

GENERAL MOTORS CORPORATION
DAYTON, OHIO



MAXIMUM ALLOWED PLUS OR MINUS .005 IN FRACTIONAL AND PLUS OR MINUS .002 IN DECIMAL UNLESS OTHERWISE SPECIFIED

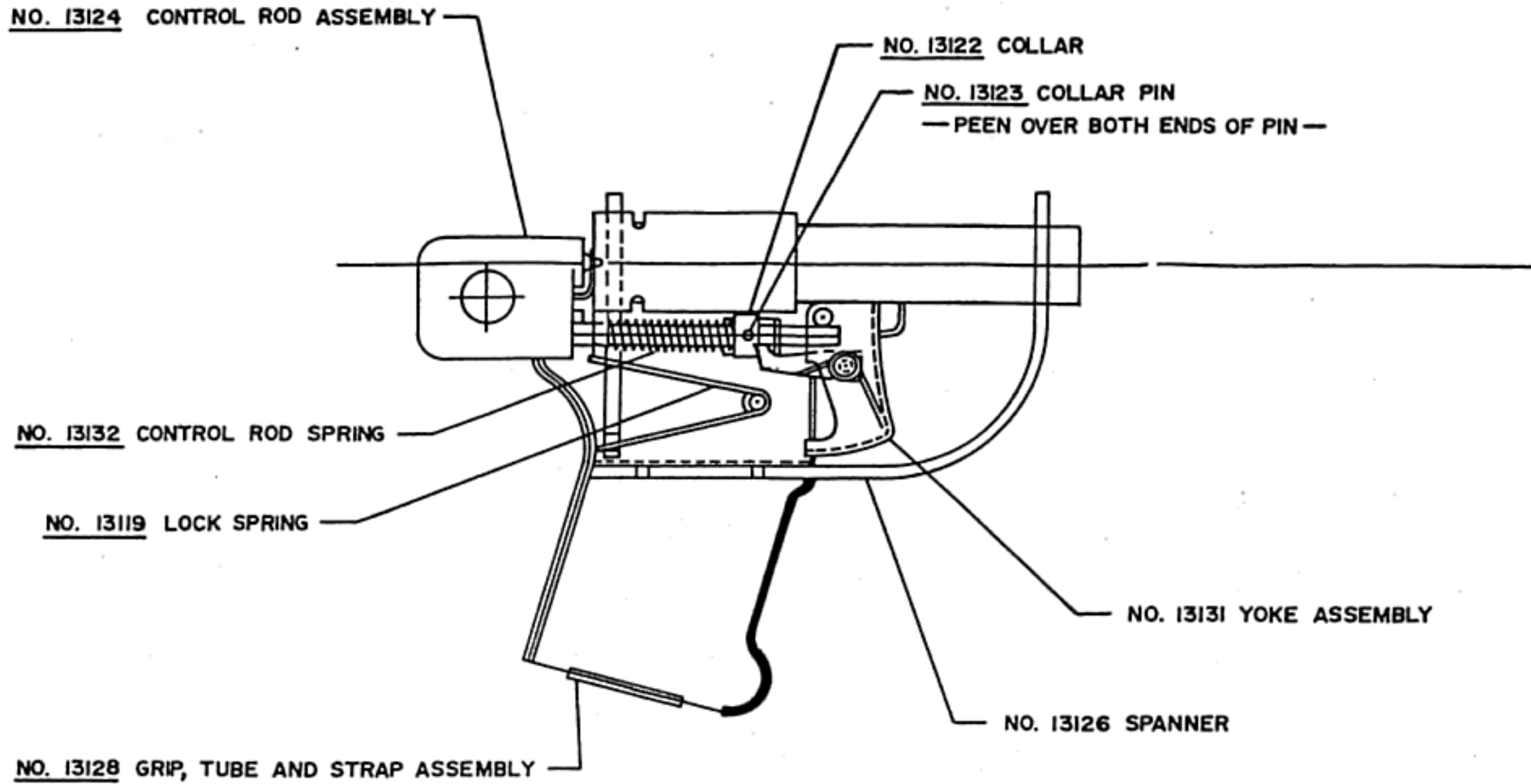
DO NOT SCALE

LT	CHANGES	DATE	C&B	REV. NO.	LT	CHANGES	DATE	C&B	REV. NO.

MAT'L	SPEC.	REL. NO.	DATE
FRESH	SPEC.	SCALE	67-42
DRAWN BY	DATE STARTED	FINISHED	CHECKED
HAMISCH	5-13-42		
TITLE	DRAWING & PART NO.		DATE
BODY ASSEMBLY	13130		5-15-42

INLAND MANUFACTURING DIVISION

GENERAL MOTORS CORPORATION
DAYTON, OHIO



VARIATION ALLOWED PLUS OR MINUS .010 ON FRACTIONAL AND PLUS OR MINUS .005 ON DECIMAL UNLESS OTHERWISE SPECIFIED

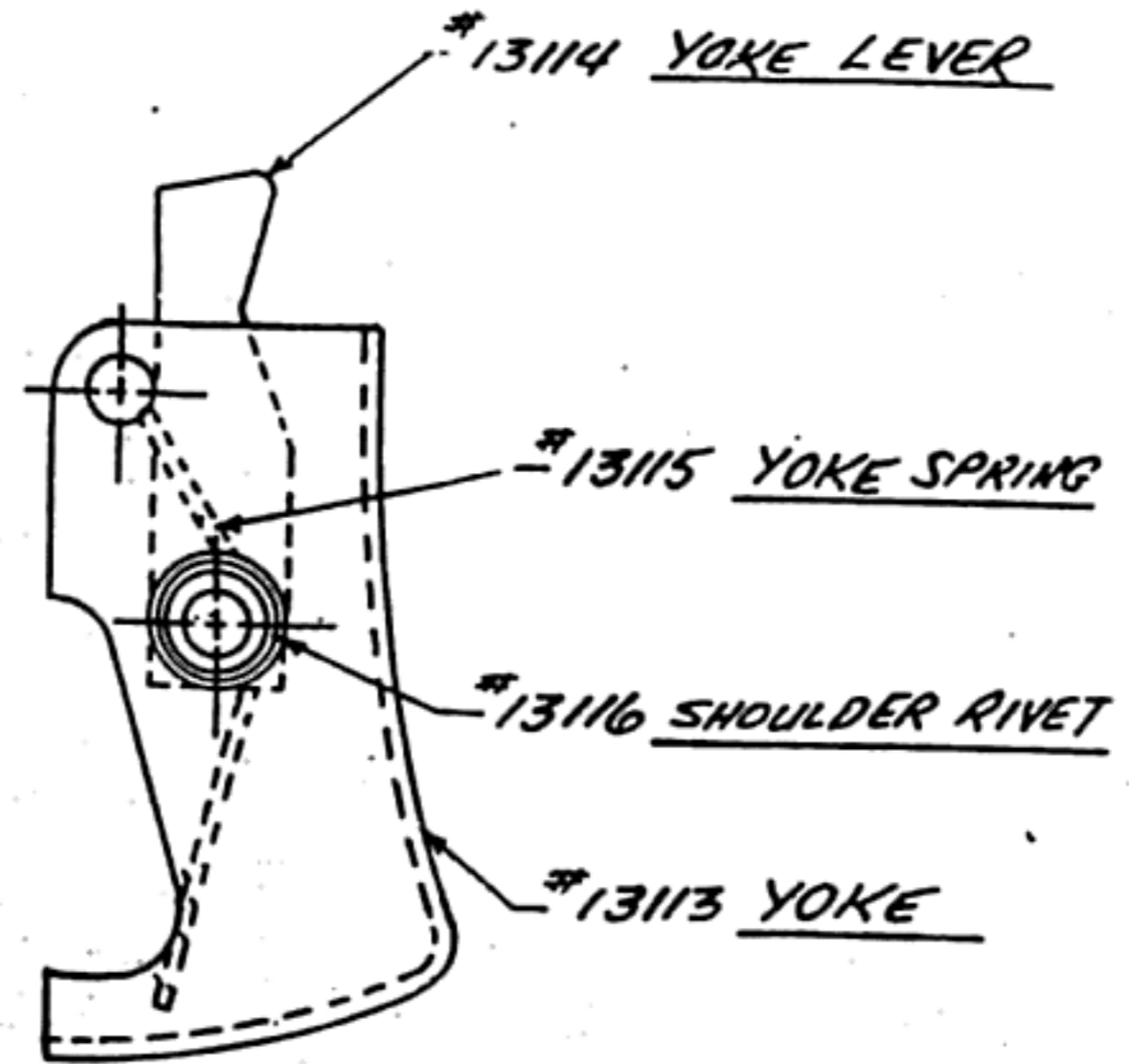
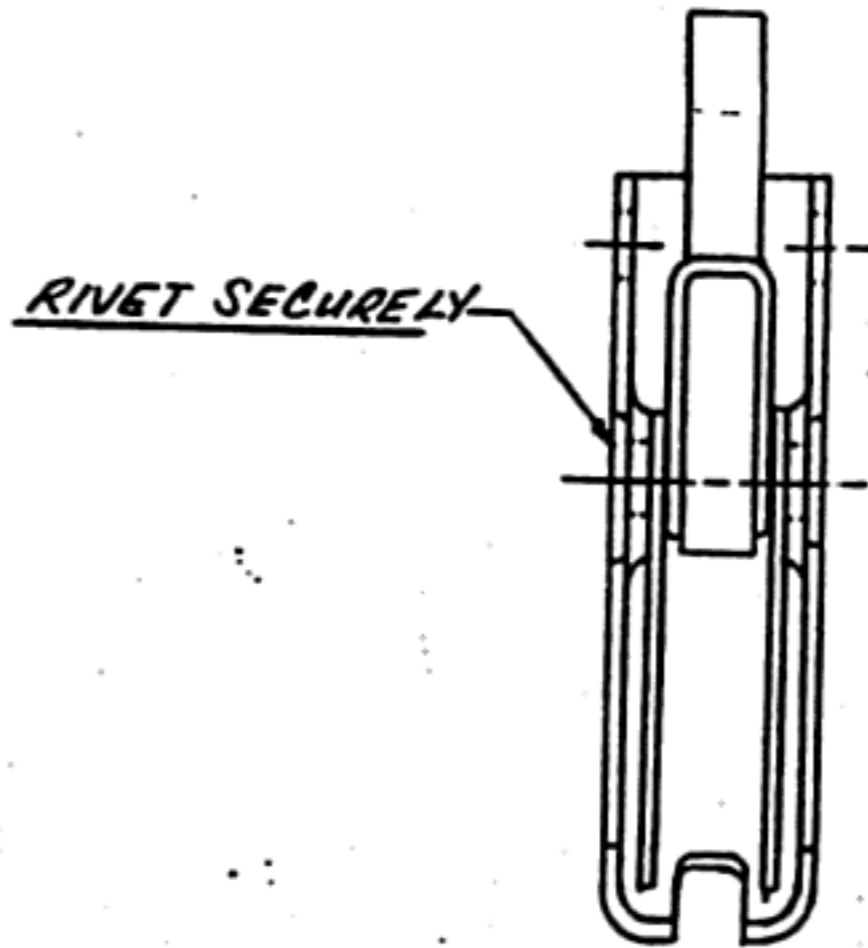
DO NOT SCALE

LET	CHANGES	DATE	C'YR	REF. NO.	LET	CHANGES	DATE	C'YR	REF. NO.

MATL	SPEC.	REL. NO.	DATE
FINISH	SPEC.	SCALE	5-15-42
DRAWN BY HAMISCH	DATE STARTED 5-13-42	FINISHED	CHECKED
DATE	APPROVED	DATE	5-15-42
NAME BODY AND MECHANISM ASSEMBLY			DRAWING & PART NO. 13129

INLAND MANUFACTURING DIVISION

GENERAL MOTORS CORPORATION
DAYTON, OHIO



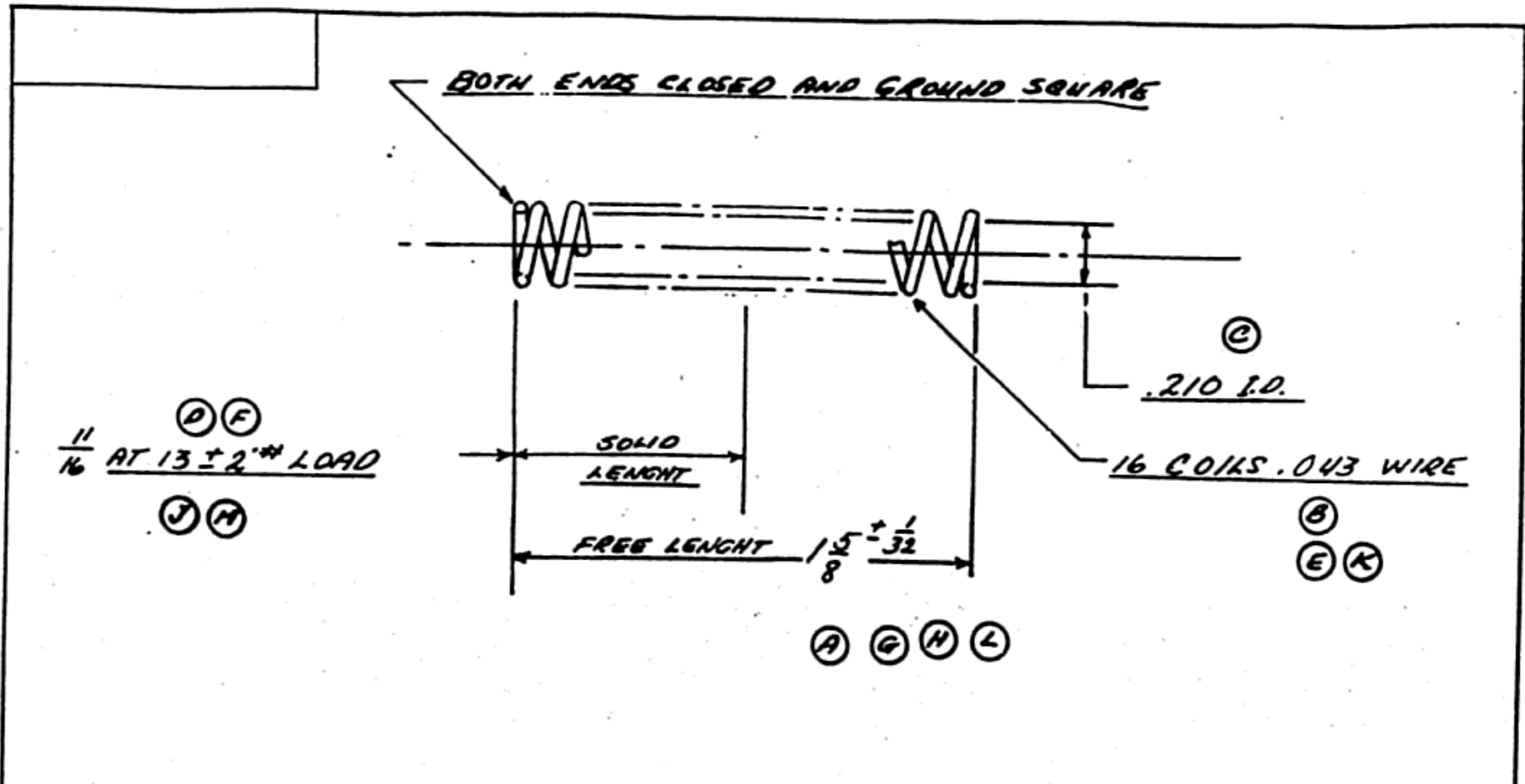
VARIATION ALLOWED PLUS OR MINUS .010 ON FRACTIONAL AND PLUS OR MINUS .005 ON DECIMAL DIMENSIONS UNLESS OTHERWISE SPECIFIED

DO NOT SCALE

					MAT'L	SPEC.	REL. NO.	DATE
					FINISH	SPEC.	SCALE	5-13-42
					DRAWN BY	DATE STARTED	FINISHED	CHECKED
					HAMISCH	5-13-42		DATE
							APPROVED	DATE
								5-15-42
					NAME			DRAWING & PART NO.
					YOKE ASSEMBLY			13131
A	REVISED TO DETAIL	5-22-42						
LET	CHANGES	DATE	C'R	REF. NO.				

INLAND MANUFACTURING DIVISION

GENERAL MOTORS CORPORATION
DAYTON, OHIO



OPERATES OVER $\frac{3}{16}$ DIA. ROD

M	13 ± 2# WAS 20 ± 2#	8-7-42		
L	1 5/8 WAS 1 29/32			
K	.043 WAS .046		7-9-42	
J	11/16 AT 20# WAS 23/32 AT 28#		"	
H	1 29/32 WAS 1 23/32		"	
G	WAS 1 29/32	6-18-42		
F	WAS 11/16 @ 20 ± 1.	6-18-42		
E	WAS .043 WIRE	6-18-42		
D	20# WAS 12#	5-10-42		
C	.210 WAS .206	"		
B	.043 WAS .062	"		
A	1 29/32 WAS 1 25/32	"		
LET	CHANGES	DATE	C'R	REF. NO.

VARIATION ALLOWED PLUS OR MINUS .010 ON FRACTIONAL AND PLUS OR MINUS .005 ON DECIMAL DIMENSIONS UNLESS OTHERWISE SPECIFIED

DO NOT SCALE

MATL MUSIC WIRE		SPEC.	REL. NO.	DATE
FINISH STRESS RELIEVE		SPEC.	SCALE DOUBLE	5-13-42
DRAWN BY <i>Erwin</i>	DATE STARTED 5-15-42	FINISHED	CHECKED	DATE
NAME CONTROL ROD SPRING			APPROVED	DATE
DRAWING & PART NO. 13132				

INLAND MANUFACTURING DIVISION

GENERAL MOTORS CORPORATION
DAYTON, OHIO

UNIT PARTS LIST

Part No.	Part Name	No. Req'd	Material	Physical
13110	TUBE	1	C.R.S.	SEAMLESS
13125	TUBE STRAP	1	C.R.S.	
13108	L.H. GRIP	1	C.R.S.	
13109	R.H. GRIP	1	C.R.S.	
13117	RIVET YOKE	1	C.R.S.	
13118	RIVET LOCK	1	C.R.S.	
13113	YOKE	1	C.R.S.	
13114	YOKE LEVER	1	C.R.S.	CASE .003-.006
13115	YOKE SPRING	1	MUSIC WIRE	STRESS RELIEVE
13116	SHOULDER RIVET	1	C.R.S.	
13124-1	GUIDE PIN	1	C.R.S.	
13121	GUIDE ROD BRACKET	1	C.R.S.	
13120	CONTROL ROD	1	C.R.S.	CASE .003-.006
13132	CONTROL ROD SPRING	1	MUSIC WIRE	STRESS RELIEVE
13122	COLLAR	1	C.R.S.	CASE .003-.006
13123	COLLAR PIN	1	C.R.S.	
13127	COVER SLIDE	1	C.R.S.	
13119	LOCK SPRING	1	MUSIC WIRE	STRESS RELIEVE
EX1174-1	SPACER	2	M 237	
13126	SPANNER	1	C.R.S.	
13112	SNAP COVER	1	C.R.S.	HALF HARD.

UNLESS NOTED OTHERWISE ALL DIMENSIONS ARE IN INCHES .0005 INCHES BEING THE FRACTIONAL AND .0005 INCHES BEING THE DECIMAL UNLESS OTHERWISE SPECIFIED

DO NOT SCALE

MAT'L	SPEC.	REL. NO.	DATE
FINISH	SPEC.	SCALE	
DRAWN BY	DATE STARTED	FURNISHED	CHECKED
DATE	APPROVED	DATE	

NAME **LIST OF PARTS AND ASSEM** DRAWING & PART NO.
FLARE PROJECTOR **13133**

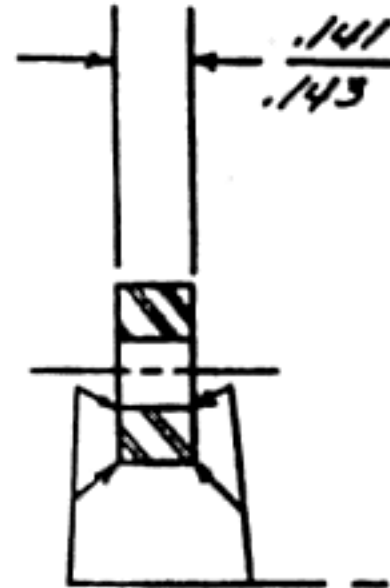
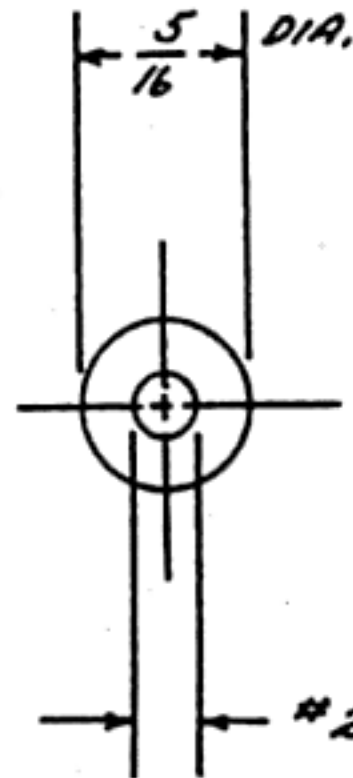
LIST OF AUTHORIZED ASSEMBLIES AND SUB-ASSEMBLIES

Part No.	Part Name	No. Req'd	Remarks
13124	CONTROL ROD ASSEM.	1	DIE CAST
13111	TUBE AND STRAP ASSEM.	1	
13128	GRIP AND BODY ASSEM.	1	
13130	BODY ASSEM.	1	
13131	YOKE ASSEM.	1	
13154	ROD TUBE AND STRAP ASSEM.	1	
13134	GRIP L.H. ASSEMBLY	1	
13132	CONTROL ROD HANDLE ASSEMBLY (OPTIONAL DESIGN)	1	

LT	CHANGES	DATE	C'Y	REF. NO.	LT	CHANGES	DATE	C'Y	REF. NO.
					A	REVISED TO DETAIL	7/10/62		

INLAND MANUFACTURING DIVISION

GENERAL MOTORS CORPORATION
DAYTON, OHIO



- BREAK CORNERS

#29 DRILL (.136)

VARIATION ALLOWED PLUS OR MINUS .010 ON FRACTIONAL AND PLUS OR MINUS .005 ON DECIMAL DIMENSIONS UNLESS OTHERWISE SPECIFIED

DO NOT SCALE

				MAT'L	C.D. STEEL	SPEC	M-237	REL. NO.	DATE
				FINISH		SPEC.		SCALE	2X SIZE
				DRAWN BY	HAMISCH	DATE STARTED		FINISHED	7-9-92
				CHECKED		DATE		APPROVED	DATE
				NAME	SPACER	DRAWING & PART NO. EX-1174-1			
LET	CHANGES	DATE	C'R	REF. NO.					

