

TT 520

K 17



PROF. M. KAPHAN'S

Kid Glove-Fitting System

FOR

Ladies', Misses', Children's and Gents' Garments.

The only system of cutting garments so that they
will fit like a kid glove, with designs for
patterns, and self-instructive.

Designed and Arranged by

M. KAPHAN,

WASHINGTON, D. C.

Copyrighted August 11, 1890.

ALL RIGHTS RESERVED.







PROF. M. KAPHAN'S

Kid Glove-Fitting System

FOR

Ladies', Misses', Children's and Gents' Garments.

The only system of cutting garments so that they
will fit like a kid glove, with designs for
patterns, and self-instructive.

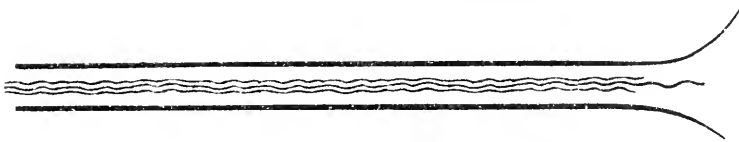
Designed and Arranged by

M. KAPHAN,

WASHINGTON, D. C.

Copyrighted August 11, 1890.

ALL RIGHTS RESERVED.



TT520
N17

PREFACE.

I take pleasure in introducing to the public the latest improved system for a proper guide whereby a lady or child can easily understand and perfect themselves for the purpose of drafting, cutting and fitting my kid-glove garments, the basis for which I intend to introduce to the public in drafting its lines according to its scales, whereby, with the assistance of its actual measurement, can be produced a perfect-fitting garment. This book represents the different novelties in the mode of fitting and shaping the pattern before cutting, when once the outlines are drawn, from number to number, and shaping the same with my monogramed rule, as introduced in this book. It will give you the perfect shape and a neat fit. I do not only represent a basque, but also a full line of drapery drafted by the same proportioned dots for its accomplishment.

A figure is governed by different proportions, and by this system you can produce any shape you desire. There is no trouble for a person to learn. It is as easy to learn as a child learns its A, B, C's, and in order to carry out its perfect principle, by its adoption for the proper and most accurate scale that will produce its perfect result, so that by trying on it cannot be improved.

General Remarks.

This system contains 36 practical scales, running from 24 to 50 in bust measure, a monogram rule, and a book of latest designs, worn by ladies, misses and children. In drafting a pattern you may select any one you may desire that will correspond to the actual breast measurement for basques, wraps, coats or jackets. For skirts or other underwear use hip measure, and in order to draft the same correctly you must have the assistance of your actual measure. You may select any design from this book, and by following the numbers on the square lines you can then only obtain the accurate shape, as this is the proper object to produce this kid glove-fitting system, and through its simplicity that your mind would be able to receive it without any trouble whatever to learn the same.

M. Kaphan's System of Cutting and Fitting

SO THAT ALL CAN LOOK GENTEEL.

Every housekeeper who raises a family surely has a sewing-machine that can make all garments if she only has a kid glove-fitting system to cut patterns with, and therefore I place this system before the public in order, with a little studying, that every lady will be able to accomplish the fitting of all styles of basques, drapery, coats, jackets and underwear of all kinds. I have the only, the simplest and the best kid glove-fitting system in the United States. For its simplicity it cannot be surpassed, and as for the latest style it cannot be improved, either in drapery or in any other way. You will find full designs for dresses, drapery, latest style basques, plain basques, coats, wraps and underwear, and, in fact, there is nothing later produced in the United States. I will state that I am a practical cutter in either branch—for ladies and gentlemen. I have worked and made it a study for the past ten years, and at last I have accomplished it. I will give you all the benefits, as it is something very useful in every household. I will agree to teach you cutting and fitting my system, in less than a week. If you will undertake to learn I will leave this system with you if you will pay attention to it. I also agree to leave it at your house for your inspection as to its merits. This is a splendid opportunity to learn how to cut and fit all kinds of garments, and, furthermore, there is nothing more useful in any family as a neat-fitting system, whereby you need not be backward in cutting and fitting, not alone for yourself, but also for others, if you desire to do so, and it will not take much of your time to learn it. I have instructors for ladies and gentlemen, who will call at your house to give you the lesson, or, if convenient to come to the hotel, they will instruct you there. You can examine the system; my agents will not annoy you with it, and at one glance you will perceive that it is just the thing you want. I will be pleased to show you all. If you have daughters let me teach them, as it will be a benefit to them in the future. It is perfectly safe to give this system a fair trial, and no charges will be made if you cannot learn it as I represent it to be. I want agents everywhere, and I will give to ladies and gentlemen a splendid opportunity. It is new, with latest designs, and in a short time it will have a wonderful demand. I would be pleased to see you.

For further information apply to—

M. KAPHAN,

Washington, D. C.

Directions for Taking Measure for Lady's Basque.

1. Take length of back from neck to waist as low as can be taken.
2. Length of front from neck to waist as low as can be taken.
3. Bust—measure over the largest portion of bust and over shoulder blades, not too tight.
4. Waist measure, tight.
5. Under arm to waist, low.
6. Sleeve—The length from pit to elbow, slightly bend; then, full length desired, straight.
7. Measure for skirt—Take waist measure.
8. Take hip measure loose.
9. Full length desired, allow 8 scales for a hem medium size, and for extra size, 6 scales.

Sleeve measure—

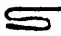
—Draw your square line 2-3, 3-5½, 4-7¼; that brings to pit of the arm, and measure by actual measurement to elbow, and full length desired, 5-26¾, 6-38, 7-46½, 8-49½, 9-52½ from 10¼ to 46½. Ascertain actual length—49½ and 52½ are the hem. Turn back to top—1-8, 2-7, 16½, 3-4, 5½, 4-8, 15, 5-3¼, 12½, 16½, 6-9¾, 13½, 8-6½, 9½, 9-7, 9¾—these are the numbers for sleeve. Follow hollow rule and shepherd rod, you will have a perfect sleeve line. 6-38 is for cuffs. If you desire full or plaited sleeve, as you see in the diagram, also bell sleeve and mutton-leg sleeve, follow rule and you can accomplish everything.

Collar—Lay off square line—½, 14, 14¾, length; 5 and 5½, width.

Mode of Drafting a Lady's Basque.

1. Select a scale that will correspond with bust or breast measure, say 36, so as to draft the entire pattern.

Draw a square line, as indicated in my system, direct your attention to the basque pattern, and follow the lines down from first point and stop at under arm mark. Commence from line $2-2\frac{1}{2}$, $3-4\frac{1}{2}$, $4-7\frac{1}{2}$, $5\frac{1}{8}$, $6-14\frac{1}{4}$, $7-15\frac{1}{4}$; this will bring you to the under arm; take tape line, measure from 8 to 32; that will bring you to the waist measure, in order to find out the actual measurement and length from under arm to waist. $8-22\frac{3}{4}$ and $9-23\frac{1}{2}$ are the measure for the darts. Continue from $10-32$, $11-34$, $12-35$, $13-40$, $14-41\frac{3}{4}$, $15-43\frac{1}{4}$, $16-45\frac{1}{2}$ and $17-47\frac{1}{4}$; that is the full length of the front, and if you wish to lower or raise the size you must do it from $7-15\frac{1}{4}$ to $10-32$; you then draw straight lines across.

Commence from the top line— $1-7\frac{1}{2}$, $2-8$, $19\frac{1}{2}$, $3-18\frac{3}{4}$, $5-3\frac{1}{2}$, $6-19$, 24 , $7-22$ ($8-15\frac{1}{2}$ and $9-10\frac{3}{4}$ dart numbers), $10-7\frac{1}{2}$, 12 , 14 , $20\frac{3}{4}$, $11-31\frac{1}{2}$, $12-30$, $13-22\frac{3}{4}$, $14-15$, $15-8\frac{3}{4}$, 10 and $17-3\frac{1}{4}$. Take the hollow rule, with monogram name and town, viz: M, A, N, H, E, I, M, K, A, P, H, A, N, J, O, H, N, S, T, O, N. The dots under the letters are to distinguish the different letters you want for the hollow rule, also a guide in the shape of a shepherd's rod, thus , indicates the manner in which you wish to place the hollow rule in order to draft correctly.

2. *Side Piece to Front*—Form your square line again— $2-2\frac{1}{2}$, $3-11$, $4-23$ and $5-24\frac{1}{2}$ —that is the full length. Turn again to top— $1-1\frac{1}{4}$, $2-3\frac{1}{2}$, $7\frac{1}{2}$, 9 , $3-2\frac{1}{2}$, 7 , $8\frac{3}{4}$, $4-3$, $9\frac{1}{2}$ and $10\frac{1}{2}$ —follow the hollow rule according to directions; raise or lower from $2-2\frac{1}{2}$ to $1-23$.

3. *Side Piece to Back*—Form square line— $2-4\frac{1}{2}$, $3-11$, $4-14\frac{1}{2}$, $5-27$, $6-28\frac{3}{4}$ and $7-32$. Go back to top— $1-2\frac{3}{4}$, $2-6$, 8 , $3-5\frac{1}{2}$, $7\frac{1}{2}$, $5-1\frac{3}{4}$, $9\frac{1}{2}$, $6-8$ and $7-3\frac{1}{4}$ —that is the full measure of side piece to back. Always be careful that it will correspond with under arm to waist. Raise or lower from $2-4\frac{1}{2}$ to $5-27$.

4. *Back*—Draw a square line— $2-1\frac{1}{2}$, $3-2\frac{1}{2}$, $4-5\frac{3}{4}$, $5-7\frac{3}{4}$, $6-13\frac{1}{4}$ —this brings you to the underarm. If you wish to raise or lower from under arm— $6-13\frac{1}{4}$ to $8-30\frac{1}{2}$. Waist measure, $7-17\frac{1}{4}$, $8-30\frac{1}{2}$, $9-35\frac{1}{2}$, $10-41\frac{1}{4}$ and $11-45$; that is the full length. Turn again to top— $1-5\frac{1}{2}$, $2-4\frac{1}{4}$, $4-15\frac{1}{2}$, $5-14\frac{3}{4}$, $6-14\frac{1}{4}$, $7-9\frac{1}{2}$, $8-5\frac{1}{2}$, $9-5\frac{1}{4}$ and $10-6$ —that is full length of back. Follow letters and shepherd rod as indicated in the diagram, and you will have a perfect basque.

PROF. M. KAPHANS

How to Draft a Skirt.

1. *Front Gore*—Draw square line 2-8, 3-13, 4-13 $\frac{3}{4}$, 5-18 $\frac{3}{4}$, 6-36, 7-72, 8-81 $\frac{3}{4}$; that is full length. Turn back to top—1-2.710, 14 $\frac{3}{4}$, 2-9 $\frac{1}{4}$, 3-18, 5-19 $\frac{1}{4}$, 6-21 $\frac{3}{4}$, 7-26 $\frac{1}{4}$, 8-27 $\frac{1}{2}$, 3-13, 4-13 $\frac{3}{4}$ are notches.

2. *Side Gore*—2-8 $\frac{1}{4}$, 3-18 $\frac{3}{4}$, 4-36, 5-72, 6-81 $\frac{3}{4}$ —the same as above. Turn back to top—1-7, 9, 10, 14, 2 9, 3-11, 19 $\frac{1}{4}$, 4-13, 20 $\frac{1}{2}$, 5-17, 23, 6-18, 24 (11, 13, 17, 18, are to join the side drapery to it).

3. *Back part of Skirt*—Draw square line 2- $\frac{1}{2}$, 3-1, 4-1 $\frac{1}{2}$, 5-2, 6-2 $\frac{3}{4}$, 7-3 $\frac{1}{4}$, 8-3 $\frac{3}{4}$, 9-4 $\frac{1}{4}$, 10-13, 11-13 $\frac{3}{4}$, 12-81 $\frac{1}{4}$, 13-83 $\frac{1}{2}$, 14-84 $\frac{3}{4}$, 15-86. Turn back to top—1-33 $\frac{1}{4}$, 36 $\frac{1}{4}$, 2-29, 3-21, 4-17 $\frac{3}{4}$, 5-8 $\frac{3}{4}$, 6-6 $\frac{3}{4}$, 8-3 $\frac{1}{2}$ (9-13, 10-13 $\frac{3}{4}$ 13, 13 $\frac{3}{4}$ join front gore 11-35 $\frac{1}{2}$ line without bustle, 12-41 $\frac{1}{2}$ with bustle. This skirt is made of any kind of lining, face 72 to 81 $\frac{1}{3}$, with material you desire making a dress.

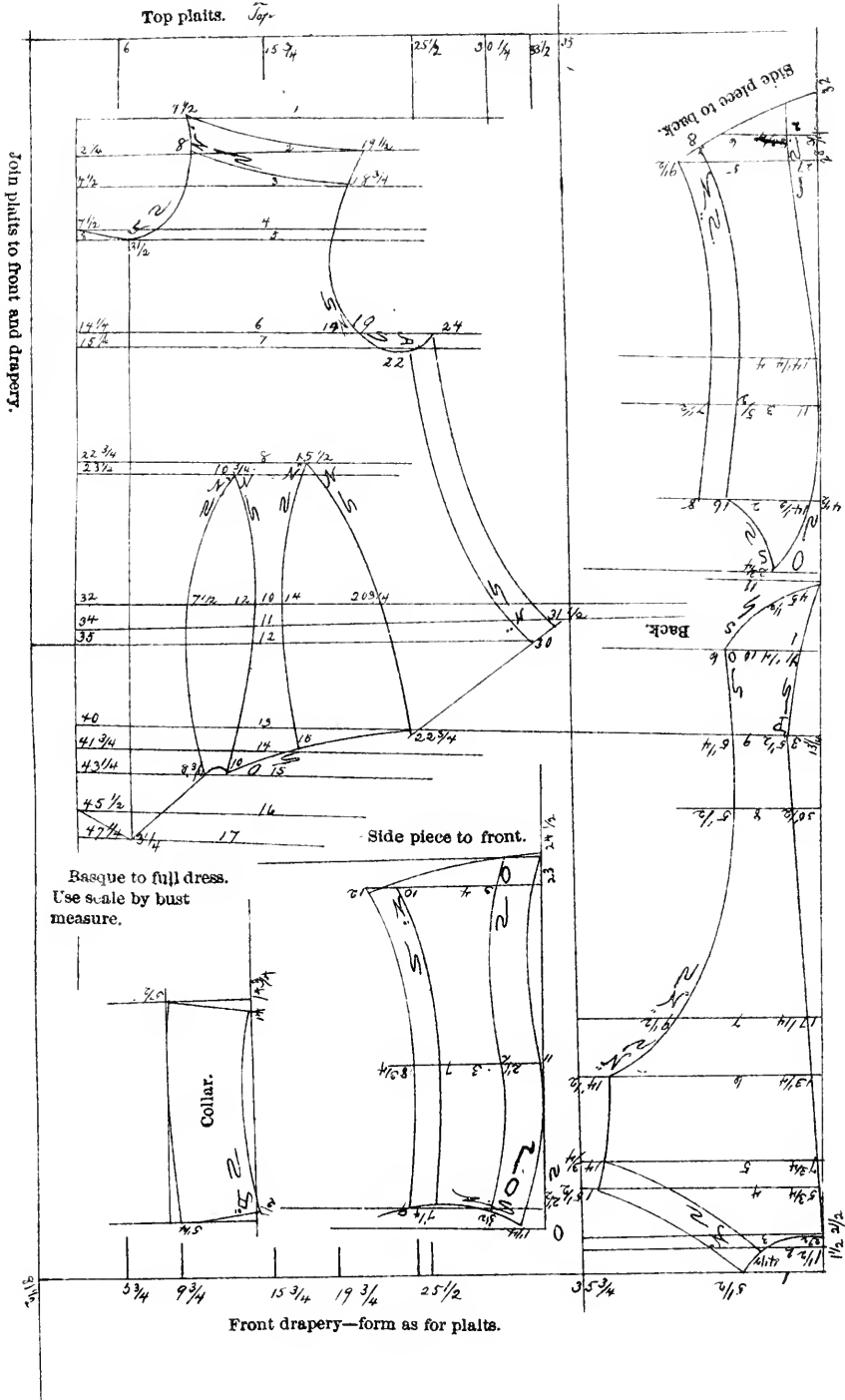
4. *Back Drapery*—Draw square line 2-8, 3-13, 4-13 $\frac{3}{4}$, 5-82; that is full length. Turn back to top—1-4 $\frac{1}{2}$, 7 $\frac{3}{4}$, 10 $\frac{3}{4}$, 13 $\frac{3}{4}$, 16 $\frac{3}{4}$, 19 $\frac{3}{4}$, 22 $\frac{3}{4}$, 25 $\frac{3}{4}$, 28 $\frac{3}{4}$, 31 $\frac{3}{4}$, 34 $\frac{3}{4}$ and 36 $\frac{1}{2}$; that constitutes the plaits from 4 $\frac{1}{2}$ to 10 $\frac{3}{4}$. Make a box plait 3-13, 4-13 $\frac{3}{4}$, join to side plaits, 5-83 constitutes the back portion of back drapery.

5. *Side Plaits*—2- $\frac{1}{2}$, 3-1, 4-1 $\frac{1}{2}$, 5-2, 6-13, 7-13 $\frac{3}{4}$, 8-85; that is the full length. Turn to top—1-4 $\frac{3}{4}$, 19 $\frac{3}{4}$, 25 $\frac{3}{4}$, 40 $\frac{3}{4}$, 51, 60, 62, 70 $\frac{1}{2}$ —those to form in two plaits. Turn down to last line in bottom 9, 11, 20 $\frac{1}{4}$, 22 $\frac{3}{4}$, 31 $\frac{3}{4}$, 40, 48 $\frac{3}{4}$, 51, 60, 62, 70 $\frac{1}{2}$ —these also form two plaits.

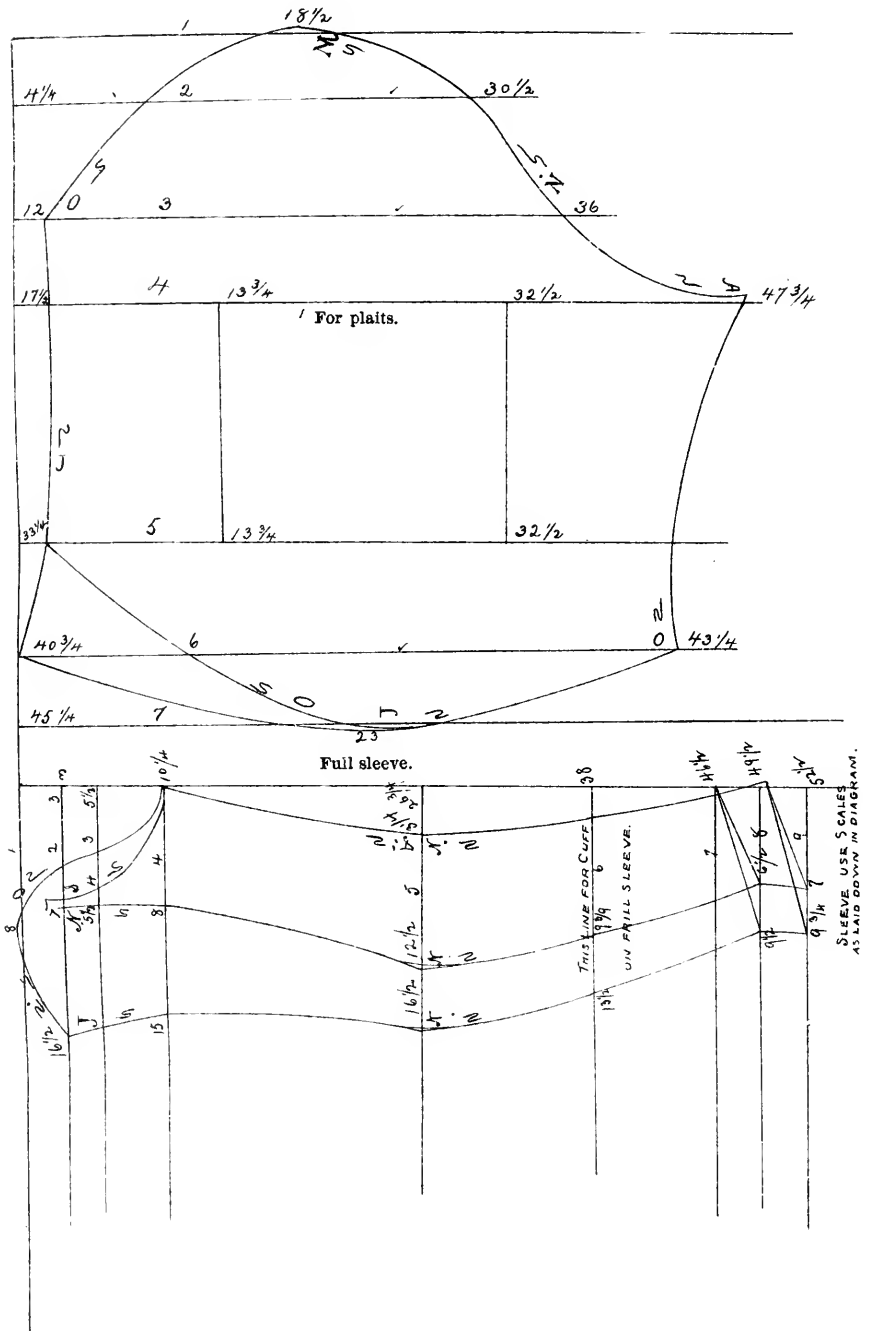
6. *Front Drapery, Lay of Square*—Run down scale to 81 $\frac{1}{2}$; turn back to top plaits 1-6, 15 $\frac{3}{4}$, 25 $\frac{1}{2}$, 30 $\frac{1}{2}$, 33 $\frac{1}{2}$, 35, 40, 50, 52; turn down to plaits 81 $\frac{1}{2}$, 5 $\frac{3}{4}$, 9 $\frac{3}{4}$, 15 $\frac{3}{4}$, 19 $\frac{3}{4}$, 25 $\frac{1}{2}$, 35 $\frac{3}{4}$, 40, 50, 52. Figures 40, 50 and 52 do not belong to this skirt, but they belong to the other full dress skirt.

Belt—Lay of square to scale 56; cross by 6.

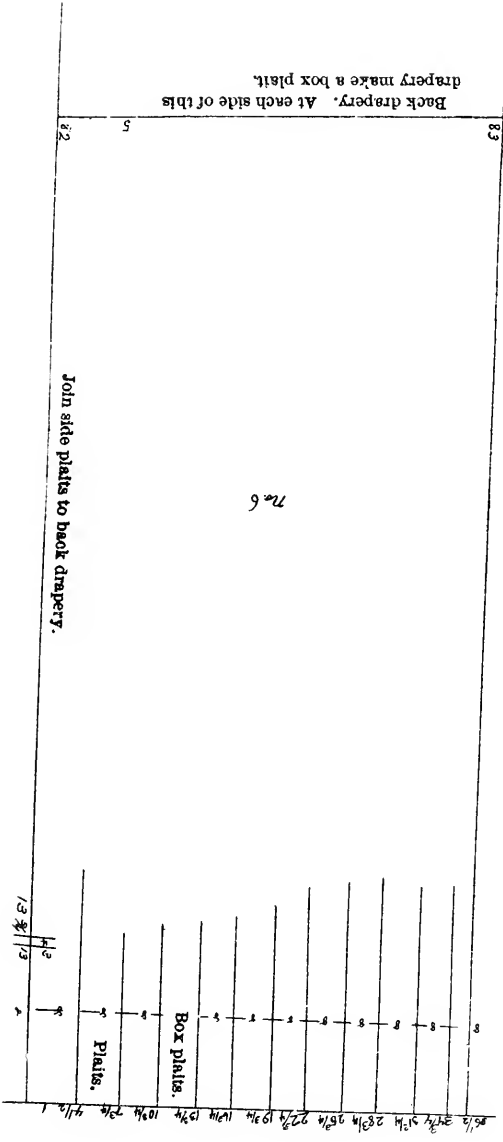
KID GLOVE FITTING SYSTEM



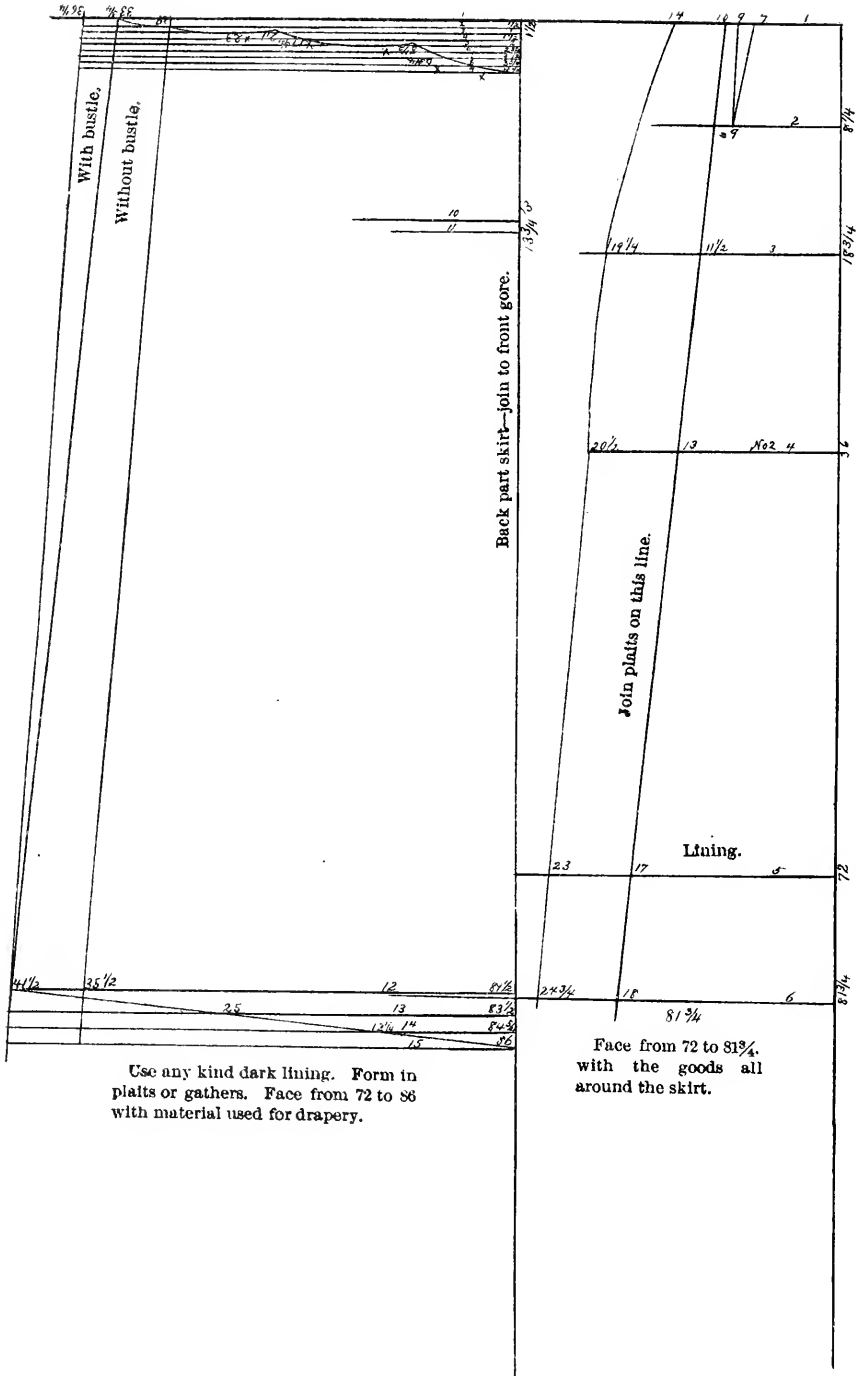
KID GLOVE FITTING SYSTEM



KID GLOVE FITTING SYSTEM



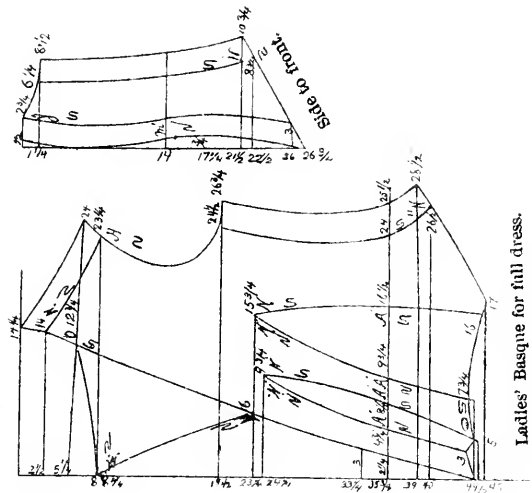
PROF. M. KAPHANS



Use any kind dark lining. Form in plaits or gathers. Face from 72 to 86 with material used for drapery.

Face from 72 to $81\frac{3}{4}$. with the goods all around the skirt.

KID GLOVE FITTING SYSTEM

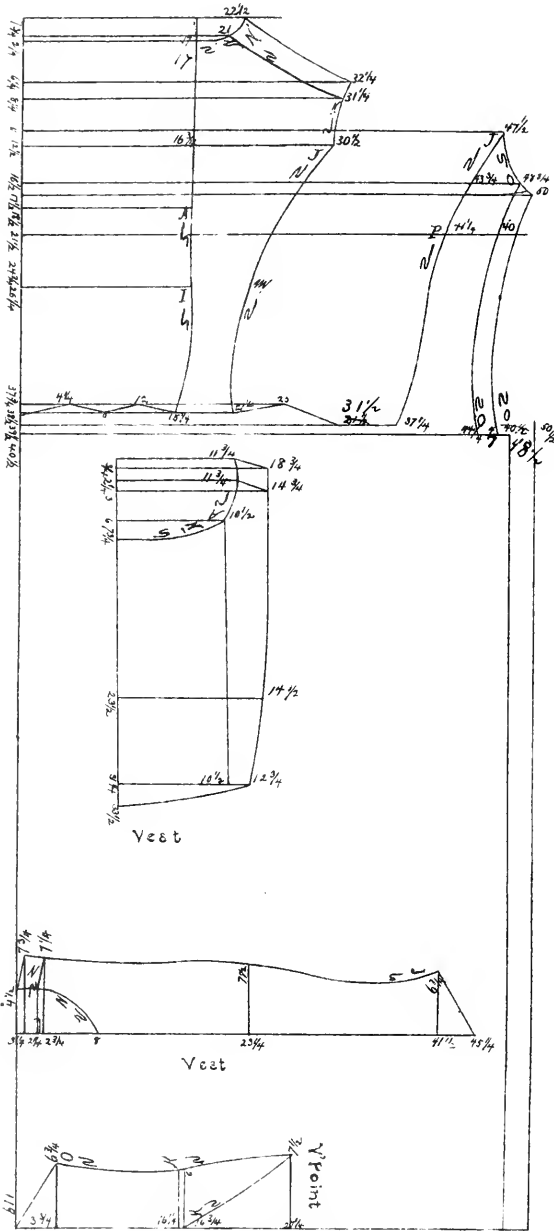


Ladies' Basque for full dress.
Use scales by bust measure.

9	36.5
15.5	36.6
23.5	36.5
30.5	36.6
35.5	36.7
44	37.2
55	38.3
55	40.4
55	42.5

Front drapery to full dress, with back and side in one.

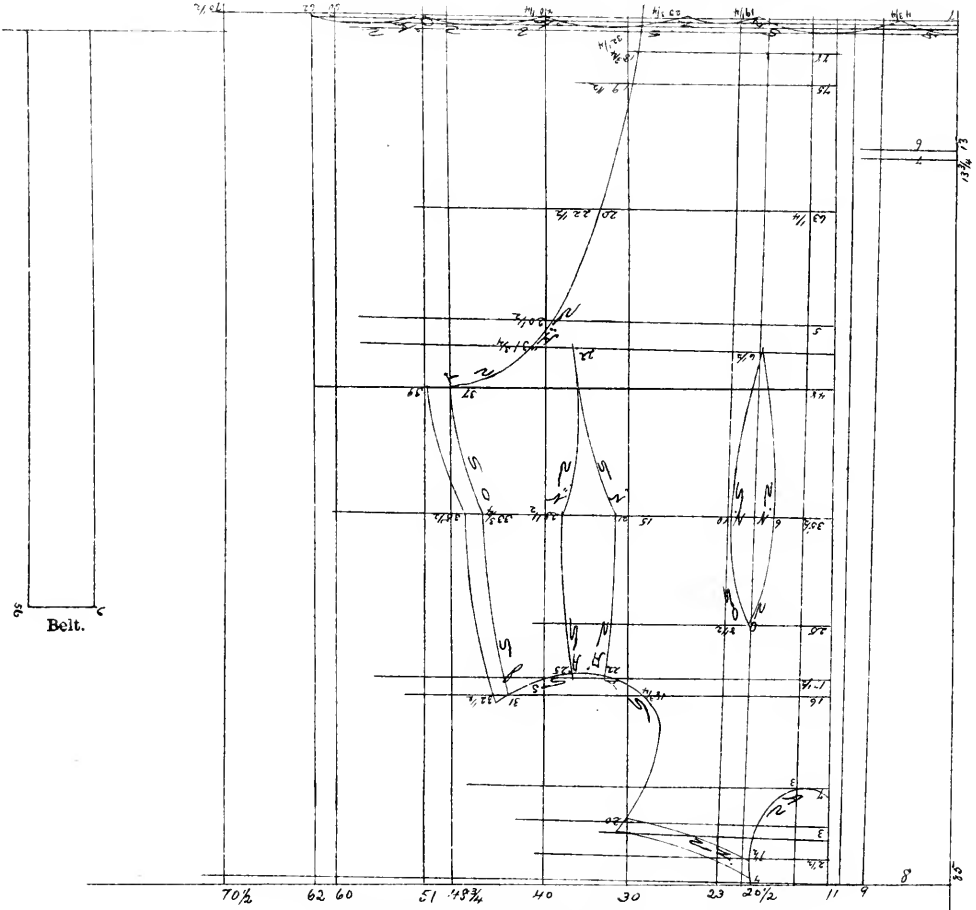
PROF. M. KAPHANS



Back and side pieces for full dress; also skirt forming in plaits. Use scales by bust measure.

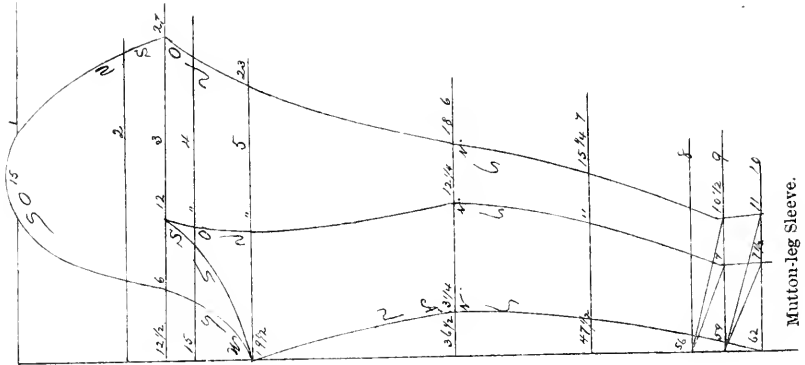
KID GLOVE FITTING SYSTEM

Front of
Ladies' Wrap.
Use scale by
bust meas-
ure.

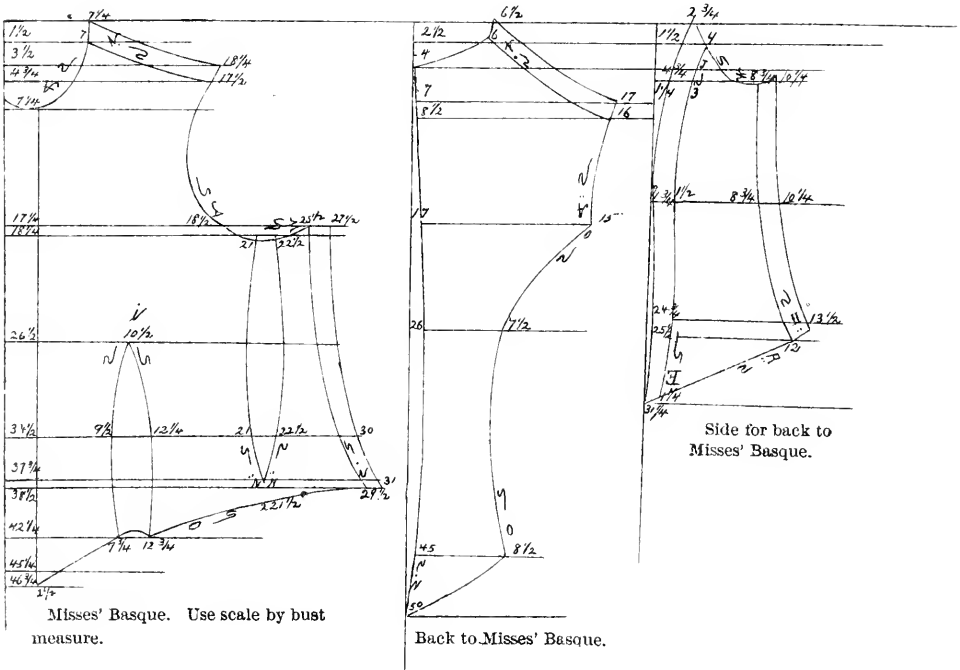


Side plait join to back drapery and side gore. This portion forms in two plaits.

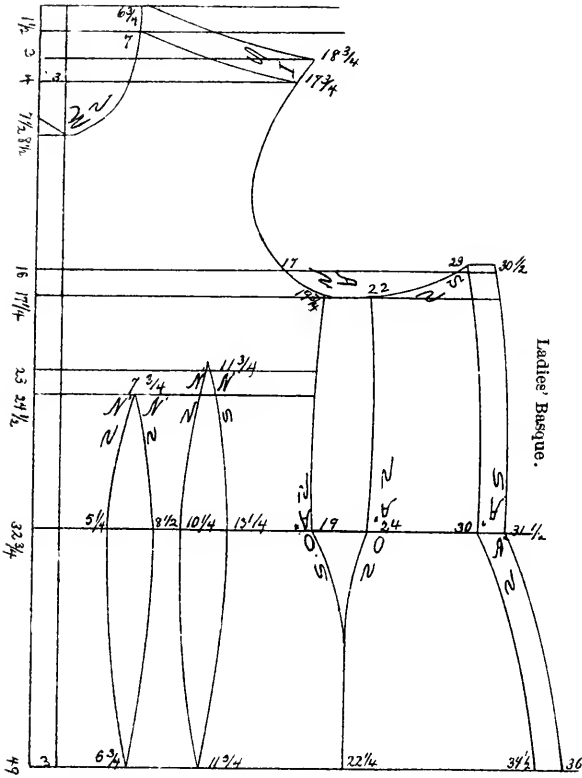
KID GLOVE FITTING SYSTEM



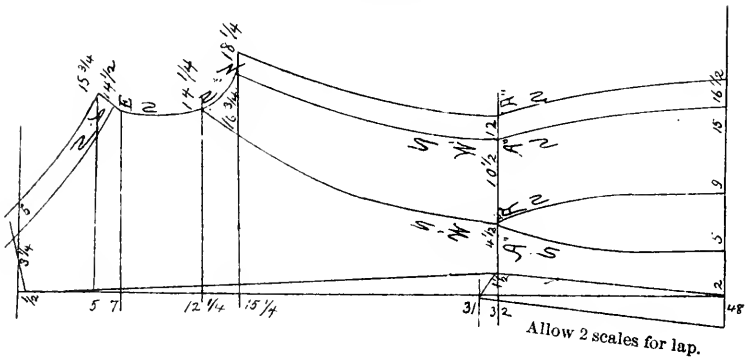
Mutton-leg Sleeve.



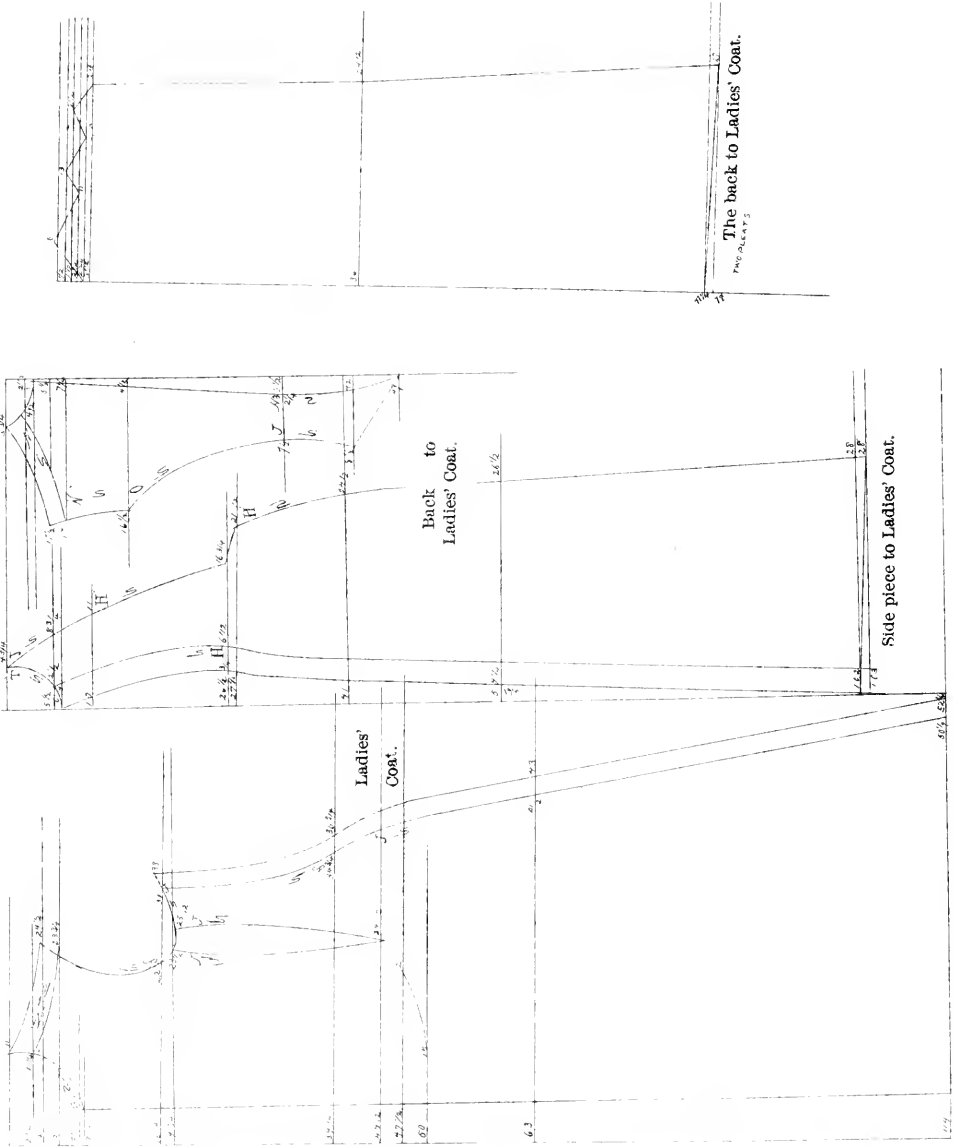
PROF. M. KAPHANS



Ladies' Basque, plain. Use bust measure. Raise or lower at $17\frac{1}{4}$ to $32\frac{3}{4}$ in proportional length as you desire the same for misses' disc and back dart.

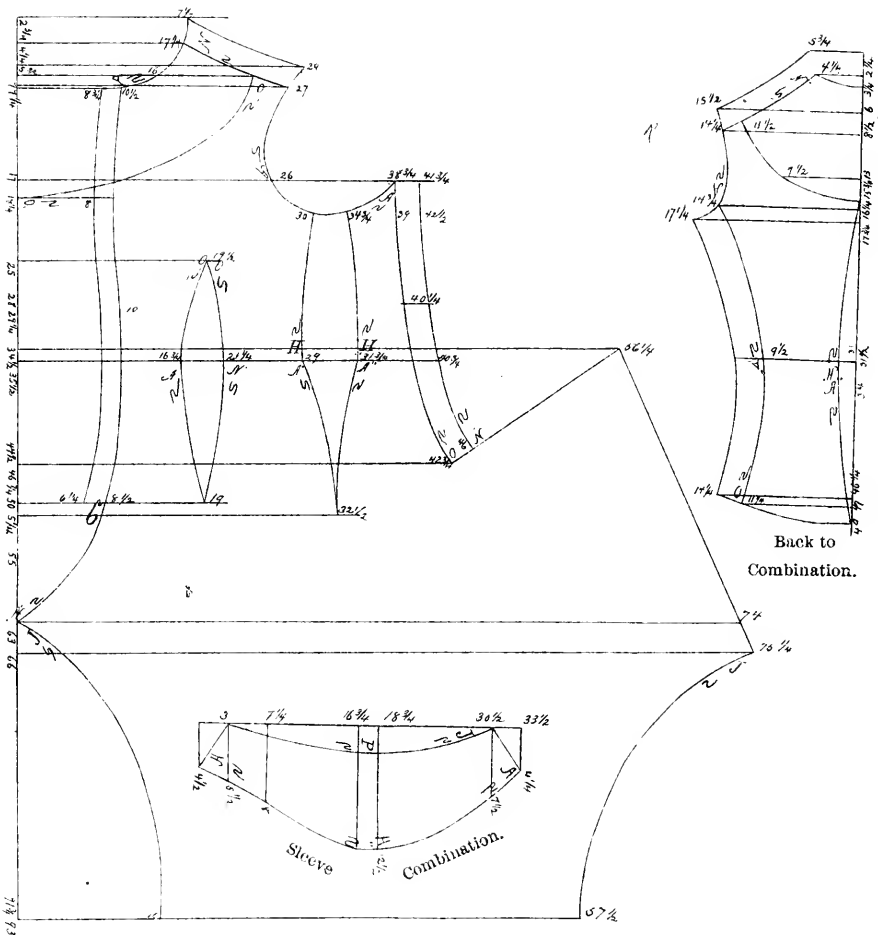


PROF. M. KAPILANS



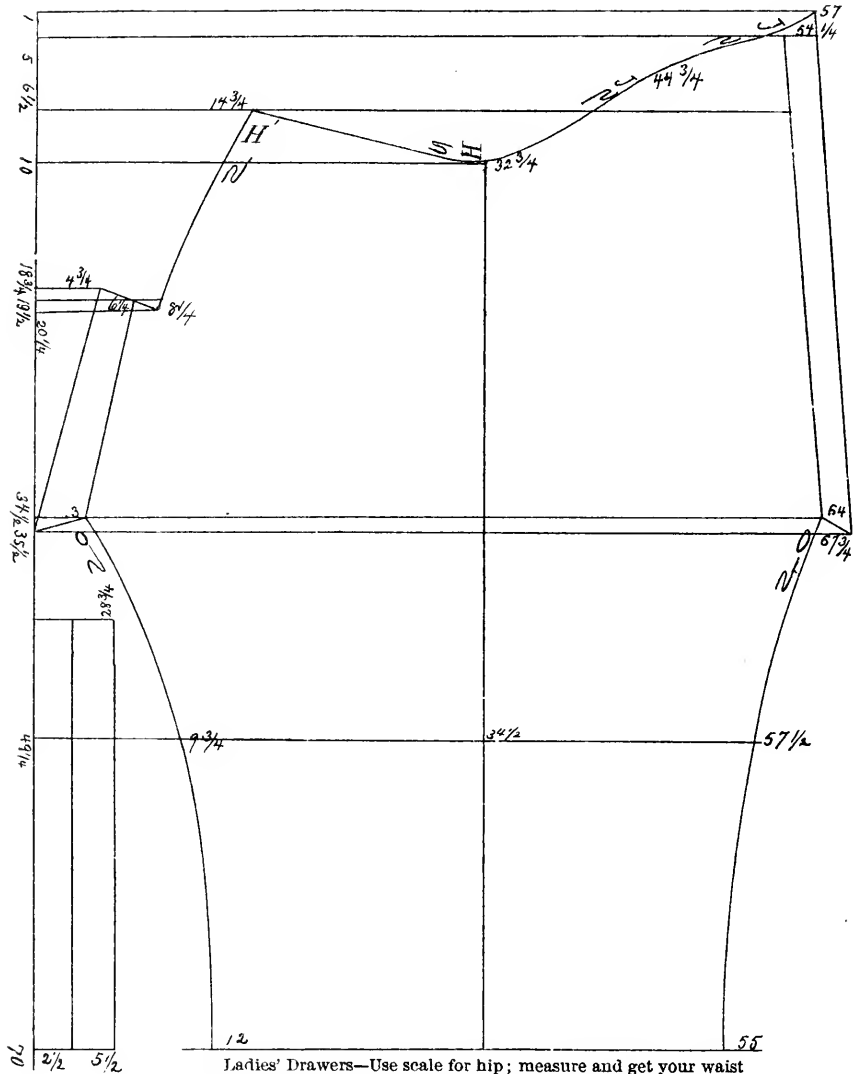
Front to Ladies' Coat. Use scales by bust measure

KID GLOVE FITTING SYSTEM



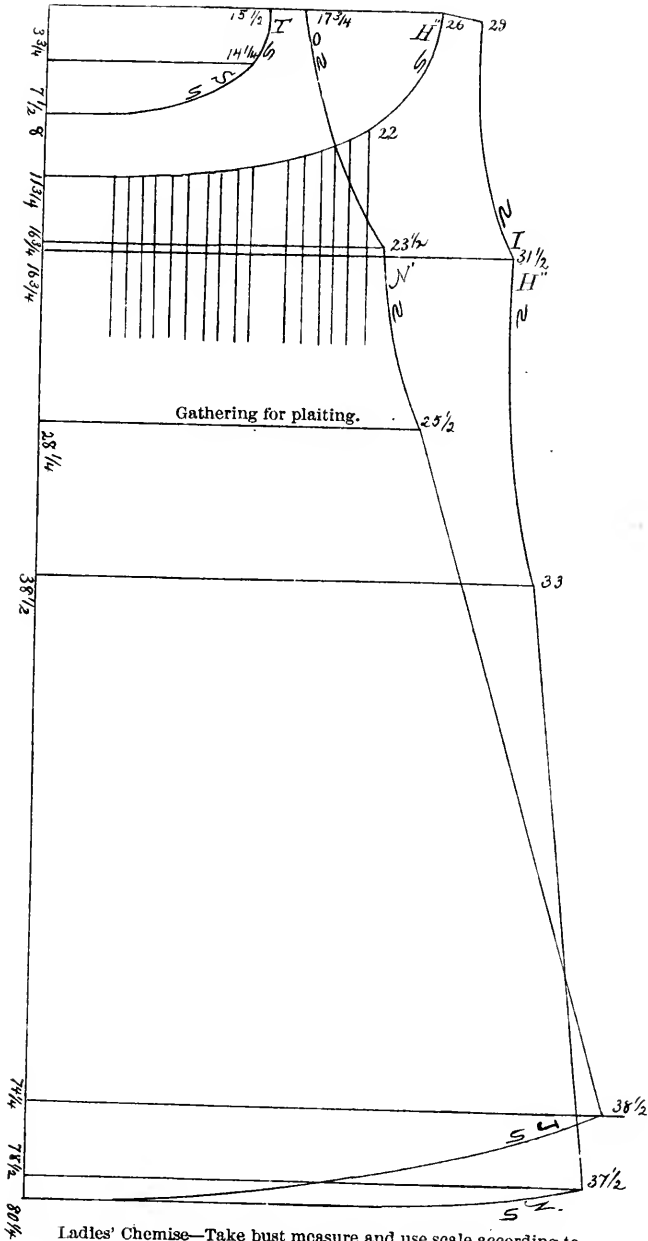
Latest Ladies' Combination Chemise and Drawers. Use scale for Chemise by bust measure, and for Drawers use hip measure.

PROF. M. KAPHANS



Ladies' Drawers—Use scale for hip; measure and get your waist by actual measurement; same will apply to Misses.

KID GLOVE FITTING SYSTEM



Ladies' Chemise—Take bust measure and use scale according to length by actual measurement. The same for Misses.

Agents Wanted.

I want agents, both ladies and gentlemen, to sell this most useful system in the United States. You will not find an article that will sell as easy as this. Every housekeeper who has a sewing machine needs this system to cut her own garments for patterns of the latest basques, skirts, drapery, wraps, coats, children's garments and all kinds of underwear. Every lady needs this system as much as she does anything else about the house. Every family can afford to have one if they have a machine. My experience is, that any one testing this system will buy one, and I agree to teach all my agents the mode of drafting free. It does not require much capital. Try it, as I will not sell any counties to any agent, but give them the territory free.

My object is to sell this system, and the reason why an agent can do well is, that it has the latest designs and no competition. The profits are large, and if you sell only two a day it will give you a large profit, and by introducing this system to the public it will aid you in making more sales than you have any idea of. If you want the local agency I will give it to you wherever you want it. Remember, I do not ask you to take the agency until you are satisfied that you can sell the system and be fully instructed in it so that you may fully know what this system can do. I want you to come and see me. I am bound to make it a household article. I will only be here a short time, and will give some lady or gentleman a chance to have the same thoroughly introduced. I am,

Very respectfully,

M. KAPHAN.

Address all communications to M. KAPHAN.

LIBRARY OF CONGRESS



0 013 973 009 4