
MP651K

AIR PISTOL/ RIFLE INSTRUCTION MANUAL

European American Armory Corp.
3855 North U.S. Highway One
Cocoa, Florida 32926
(321) 639-4842
www.eaacorp.com
E-mail: eaacorp@eaacorp.com

© Copyright EAA Corp. 11/98

EAA MODEL: MP651K AIR PISTOL / RIFLE INSTRUCTION MANUAL

WARNING AND INSTRUCTION MANUAL PLEASE READ THESE INSTRUCTIONS

CAUTION: Air Pistol / Rifles are not toys. This Air Pistol / Rifle is recommended for adult use. Misuse or careless use may cause serious injury or death. This Air Pistol / Rifle is dangerous within 500 yards.

Do NOT pressurize or handle your Air Pistol / Rifle before you read and understand the instructions and warnings contained in this manual.

FOR YOUR SAFETY AND THE SAFETY OF OTHERS, this owner's manual contains important warnings and safety procedures which must be understood BEFORE using this Air Pistol / Rifle. Read the entire manual and if you do not understand any part of it or the operation of your Air Pistol / Rifle, stop and seek professional instructions. You can get a copy of this manual from European American Armory Corp. on request.

Record the serial number of your Air Pistol / Rifle:

and a description of it:

Make a copy of this manual, proof of purchase/sales record for safekeeping in a secure safe or fireproof container. Such proof is necessary if the Air Pistol / Rifle is stolen or for warranty repair. Before handling any Air Pistol / Rifle, make sure you know the safety procedures and most importantly, keep the Air Pistol / Rifle pointed in a safe direction.

WARNING

****YOU RISK INJURY OR DEATH BY HANDLING THIS AIR PISTOL / RIFLE****
Before handling this Air Pistol / Rifle, read, understand and follow the instructions in this manual. Always keep this manual with the Air Pistol / Rifle. If you lend, give or sell this Air Pistol / Rifle, be sure the manual goes with it. If there is anything you do not understand, seek advice from someone qualified in safe handling of Air Pistol / Rifles.

WARNING

This Air Pistol / Rifle should always be transported unloaded in its case.

10 LIFE SAVING WARNINGS:

1. Thinking the air Pistol / Rifle is unloaded does not mean it is unloaded. If a Pellet or BB is in the chamber and the Pistol / Rifle has pressurized CO2 cartridge, this Pistol / Rifle can be fired. Always treat your air Pistol / Rifle as if it is loaded.
2. Always point the muzzle of any air Pistol / Rifle in a safe direction whether the Pistol / Rifle is loaded or unloaded...
3. No hands over the muzzle / no way / no time / no how.
4. Only use lead .177 pellets or 4.5mm BBs manufactured to industry standards. If the pellet or BBs do not feed into the chamber, don't force it - there is a reason - determine the reason before continuing.
5. Never alter your air Pistol / Rifle or allow anyone not connected with or authorized to represent the manufacturer to modify, change, or adjust any of the working parts of your air Pistol / Rifle.
6. Learn to regularly clean and inspect your air Pistol / Rifle.
7. Wear eye protection whenever you shoot your Pistol / Rifle or when around others using air Pistol / Rifles. You only get one set of eyes.
8. This air Pistol / Rifle is extremely powerful and is not designed for the beginner. This class of air Pistol / Rifle is intended for use by experienced adult shooters.
9. Your air Pistol / Rifle can not think. You must be alert and thoughtful at all times to insure your safety and the safety of the people and property near you... no drugs...no drinking... no horse play... never shoot a Pellet or BB at water or a hard surface...

HEALTH WARNING:

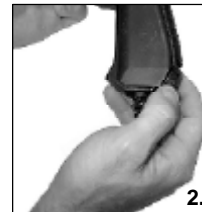
This air Pistol / Rifle fires lead Pellets or BBs. Lead and lead compounds are known to the State of California to cause cancer, birth defects and reproductive toxicity. Discharging, handling or cleaning an air Pistol / Rifle may result in lead exposure. Have adequate ventilation at all times. Do not put lead Pellets or BBs in your mouth. Wash hands thoroughly after exposure.

GENERAL INFORMATION:

This is a air Pistol / Rifle. It is powered by compressed CO2 in the cylinder located in the grip. Avoid leaving the Pistol / Rifle with compressed CO2 for extended periods.

EXTERNAL CONTROL PARTS:

1. The **Trigger** is used for discharging the compressed CO2 so as to expel the Pellet or BB.
2. The **Grip** of your air Pistol / Rifle is removable. The large screw on the lower back portion of the back strap holds the grip panels in place. To tighten screw down go clockwise and counter clockwise to loosen the grip screws. A loose



grip may cause poor accuracy. Do not over tighten the grip screw. Make sure that the grip is tight to the receiver of the air Pistol / Rifle.

4. The Barrel of your air Pistol / Rifle is made of steel and has groove rifling. Never put the barrel in a position where it could be bent or damaged. A bent barrel will lead to accuracy problems or could even lead to a Pellet or BB being stuck in the barrel. After shooting, always clean the barrel with a light oil.

5. The Sights on your air Pistol / Rifle are designed for accuracy. The front sight is an all metal in the case of the pistol and plastic in the case of the rifle. The rear sight is metal in the case of the pistol and adjustable for elevation and windage. The rear sight in the case of the rifle is plastic, telescopic, and adjustable.

7. The Pellet Cylinder is located on the top of this Pistol / Rifle directly above the grip and in front of the rear sight. The cylinder must be in place for the pistol to fire and free to move and the cylinder ratchet must be in the rear for the cylinder to rotate. (See Fig 7)

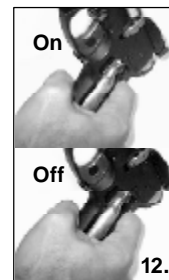
8. The Pellet Cylinder Base Pin Release is located in front of the cylinder on the top of the receiver and is spring loaded. Forward movement of the release disengages the base pin and releases the cylinder. (See Fig 9)

9. The Rifle Butt Stock replaces the pistol grip and is attached by the screw at the base of the pistol grip. The rifle butt stock slide over the rear of the frame after the pistol grip has been removed. To tighten the screw down go clockwise and counter clockwise to loosen the grip screws. A loose stock may cause poor accuracy. Do not over tighten the stock screw. Make sure that the stock is tight to the receiver of the air Pistol / Rifle. (See Fig 10)

10. The Rifle Barrel Extension slides over the barrel of the pistol and locks on the trigger guard with a button detent.

11. The Trigger Safety is located in the trigger and is a push / pull type. If the round ring is protruding on the left hand side of the trigger the trigger will be blocked from full travel. (See Fig 12)

12. The BB Loading Pusher located in front of the pellet cylinder on the top of the barrel. The pusher moves forward to load BBs and returns by spring pressure to the rear. (See Fig 13)



CHARGING/PRESSURIZING YOUR AIR PISTOL / RIFLE:

A. Make sure that the air Pistol / Rifle is pointed in a safe direction and the trigger safety is on (trigger blocked). Remove the pistol grip or stock (see above grip or stock info). (SEE Figure 2)

B. Warning: Before you preform this step make sure that if there is a CO2 cylinder in the frame that all the pressure has been released. At the bottom of the grip you will find a sling swivel. Turn the swivel counter clock wise slowly (**make sure that the pressure is released before you release the cylinder totally, wear eye protection during this operation**) until the cylinder holding cup is resting against the back strap of the frame. (See Fig B)



C. If there is a cylinder in the frame remove it. Now visually inspect the o-ring that is in the gas chamber which is below the sight in the grip frame, make sure it is not deformed (if it is replace it). (See Fig C)



D. Take a new cylinder and inset the neck into the gas chamber and align the round base with the cylinder holding cup. (SEE Figure 8)



E. While holding the cylinder in the gas chamber and in line with the cylinder holding cup screw the sling swivel clockwise until the metal tube inside the gas chamber has punctured the CO2 cylinder. Be careful during this step because pressure will leak out when the metal tube breaks the seal on the cylinder surface. **We suggest you wear eye protection during this operation.** Tighten the swivel rapidly until you no longer hear the gas escaping from the gas chamber seal.

F. Reinstall the grip or rifle stock. (SEE Figure 2)

LOADING YOUR AIR PISTOL / RIFLE:

Warning : Do not load both BBs and pellets at one time. You can only load one or the other.

A) Make sure that the air Pistol / Rifle is pointed in a safe direction and the grip or rifle stock has been reinstalled and the trigger safety is on (trigger blocked).



B) If you are going to use BBs then you will move the BB loading pusher to the front of the Pistol / Rifle until you see the round hole. Hold the pusher to the front and load up to 23 BBs in the magazine and the release the pusher. (See Fig D)



C) If you are going to use pellets then you must move the Pellet Cylinder Base Pin Release to the front of the Pistol / Rifle and remove the cylinder. Insert 8 pellets from the ratchet side of the

cylinder make sure the pellet skirts are flush with the ratchet side of the cylinder. Now reinstall the cylinder by pulling the Pellet Cylinder Base Pin Release and insert the cylinder into the cylinder slot and release the Pellet Cylinder Base Pin Release. Make sure that the Pellet Cylinder Base Pin moved into the center of the cylinder. (See Fig E)

FIRING THE AIR PISTOL / RIFLE:

After completing the above loading step make sure that the Pistol / Rifle is pointed at what you intend to shoot, disengage the trigger safety, and slowly pull the trigger to the rear. The Pistol / Rifle will discharge and the Pellet or BB will be expelled from the barrel. If you wish to fire another Pellet or BB pull the trigger again until all the pellets or BBs have been used up.

UNLOADING YOUR AIR PISTOL / RIFLE:

IF YOU HAVE LOADED YOUR AIR PISTOL / RIFLE we suggest you fire the Pellet or BB out of the barrel in a safe direction...thus we do not suggest that you un-cock or unload unless absolutely necessary. If you must unload then reverse above loading instructions. Make sure that all pellets or BBs have been removed from the Pistol / Rifle.

Caution: Unless absolutely necessary do not shoot a air Pistol / Rifle without a lead Pellet or BB! Never fire damaged or used Pellets or BBs.

Caution: Use only factory new lead air Pistol / Rifle Pellets or BBs. Use only the correct size Pellets or BBs (.177 caliber). Do not use steel shot or darts which may damage the Pistol / Rifle bore and which cause greater re-bound and ricochet.

Note: It is a violation of federal law to ship a loaded weapon.

-- WARNINGS --

READING THESE SAFETY RULES WILL SAVE YOUR LIFE OR THE LIFE OF SOMEONE ELSE

Learn how to handle, load, unload, operate, fire and care for your air Pistol / Rifle.

NEVER PLAY with your air Pistol / Rifle. It is a potentially dangerous weapon that can cause serious personal injury or death.

Always keep the air Pistol / Rifle pointed in a safe direction. **NEVER** point any weapon (loaded or unloaded) at any person or anything you do not intend to shoot. Always keep your air Pistol / Rifle unloaded until ready to fire and make sure that it is unloaded before cleaning.

Keep your finger **OFF** the trigger until you are actually aiming at the target and ready to shoot.

Never rely on a air Pistol / Rifle's "safety" to protect you from unsafe handling. A safety is only a mechanical device, not a substitute for common sense and good safety procedures.

Never leave a air Pistol / Rifle unattended or where it could fall and fire.

If an air Pistol / Rifle is hit sharply or dropped, damage to the internal precision mechanism may result and consequently an accidental firing.

Store air Pistol / Rifles and Pellets or BBs separately **beyond the reach of children**. Make sure the air Pistol / Rifle and lead Pellets or BBs are properly locked and secured so children and un- trained individuals will be denied access.

Test your air Pistol / Rifle's operation ONLY at a shooting location while the Pistol / Rifle barrel is pointed in a safe direction.

Know your target and what is beyond. Ask yourself what your Pellet or BB will hit if it misses the target or passes through the intended target. Remember, a fired Pellet or BB can travel over 400 yards (including a ricochet).

Never pull an air Pistol / Rifle toward you by the muzzle. Don't climb a tree, cross a ditch or fence with a loaded air Pistol / Rifle.

Do NOT leave your air Pistol / Rifle PRESSURIZED for long periods of time or store pressurized.

Always empty air Pistol / Rifles before entering a house, car, truck, boat, RV, camp or any building.

When receiving a air Pistol / Rifle, always open the action and make sure it is unloaded. NEVER accept anyone's word that an air Pistol / Rifle is "unloaded" or "empty". You should also inspect it by passing a cleaning rod through the bore to make sure it is clear.

Avoid exposure to lead by firing where there is adequate ventilation. After cleaning your air Pistol / Rifle and/or handling lead Pellets or BBs, wash your hands.

Keep air Pistol / Rifles unloaded when not actually in use. Load the air Pistol / Rifle only when preparing to fire.

Never fire a Pellet or BB to clear a barrel.

ALWAYS WEAR protective shooting glasses when firing air Pistol / Rifles.

Never drop your air Pistol / Rifle. If you do drop it, unload it and check it for proper function before using it again.

Don't alter or modify your air Pistol / Rifle.

Do not remove any internal safety or safety device on the air Pistol / Rifle. Safety mechanisms are designed to protect you from injury or death.

Do maintain and keep your air Pistol / Rifle clean. Keep in a dry place away from other metals and water. If your air Pistol / Rifle shows sign of corrosion or improper operation, have it serviced by a competent gunsmith.

Keep the muzzle pointed in a safe direction when loading and unloading your air Pistol / Rifle. Never point the muzzle at any person or any animal.

Never shoot at hard flat surfaces or water....bullets ricochet.

Never let water, snow, mud or other material enter the barrel. Keep the barrel free of any obstruction.

Use only the correct size lead Pellets or BBs for your air Pistol / Rifle. Do NOT use steel shot or darts.

Teach children NOT to touch an air Pistol / Rifle or Pellets or BBs.

Remember an air Pistol / Rifle has the capability of taking your life or the life of someone else. Be careful with your air Pistol / Rifle -- an accident is almost always the result of not following basic safety rules.

WRITE US concerning any items or circumstances which you don't understand and which might relate to your safety and the operation of your air Pistol / Rifle.

CARE AND CLEANING:

Caution: make sure the air Pistol / Rifle is unloaded before cleaning (follow un-cocking instructions to insure air Pistol / Rifle is not cocked and loaded)

Caution: use only a special lubricant with a high flash point designed specifically for use inside of an air compression chamber

Caution: it is better to under lubricate than to over lubricate. Over lubrication will void your warranty. Do not use firearm cleaners or low flash point oils in the air compression chamber and near the vent and breech seal as this will cause dieseling and damage the seal.

Caution: only a competent gun smith should disassemble the Pistol / Rifle for further cleaning or maintenance.

LIMITED REPAIR WARRANTY

European American Armory Corp. air Pistol / Rifles are warranted to the original retail customer for 90 days from date of purchase against factory defects in metal parts. All metal parts and labor or replacement **at our option** are covered. Springs, seals, stock and forend are warranted to the original retail customer for a period of 30 days from the verified purchase date against defects. Parts and labor to repair springs, seals, stock and forend will be provided for 30 days from the verified purchase date.

Evidence of proof of purchase is necessary for all warranty repair service. Transportation to and from our repair facilities, governmental fees, damage caused by failure to perform normal maintenance, sales outside the United States, damage due to non factory lead Pellets or BBs, steel shot or darts, or any unauthorized repair, modification, misuse, abuse, or alteration of the product is not covered by this Limited Repair Warranty.

Any implied warranties, including the implied warranties of merchantability and fitness for a particular purpose, are limited to 90 Days from date of original retail purchase. Consequential or incidental damages and/or expenses, or any other expenses are not covered by this warranty.

To obtain warranty performance send your product with proof of retail purchase, freight prepaid to:

European American Armory Corp.
3855 North U.S. Highway One
Cocoa, Florida 32926

W A R N I N G

Altering or modifying parts is dangerous and will void the warranty. This air Pistol / Rifle was manufactured to perform properly with the original parts as designed. It is your duty to make sure any parts you buy are made for this air Pistol / Rifle and are installed correctly and that neither the replacements nor originals are altered or changed. Your air Pistol / Rifle is a complex precision tool with many parts that must relate correctly to other parts in order for proper and safe operation. Putting an air Pistol / Rifle together wrong or with incorrect or modified parts can result in a damaged air Pistol / Rifle, serious injury or death to you and others through malfunction. Always have a qualified gunsmith work on your air Pistol / Rifle or at least check any work not performed by a gunsmith.

ALL PARTS ORDERS ARE SUBJECT TO A \$10.00 CHARGE FOR SHIPPING AND HANDLING. For parts and service contact: European American Armory Corp., 3855 North U.S. Highway One, Cocoa, Florida 32927 Phone: (407) 639-4842.

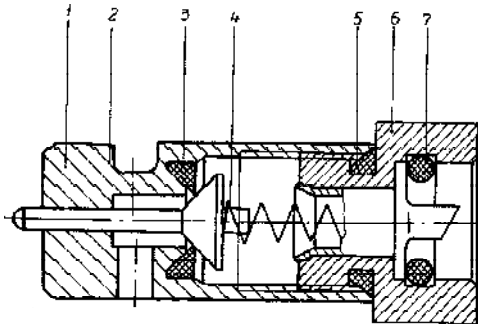
STATEMENT OF NON-LIABILITY

Air Pistol / Rifles are not classified as firearms by the U.S. Gun Control Act of 1968. Air Pistol / Rifles are not generally considered to be weapons; however, they can cause serious injury, death and property damage. Thus, they should be handled with great care. Safety is your responsibility. Neither the manufacturer, nor European American Armory Corporation, assume any responsibility for personal injury, death or property damage resulting from either intentional or accidental discharge or for the function of any air rifle subjected to influences beyond our control.

KEEP THIS BOOKLET AND PROOF OF PURCHASE IN A SECURE LOCATION.

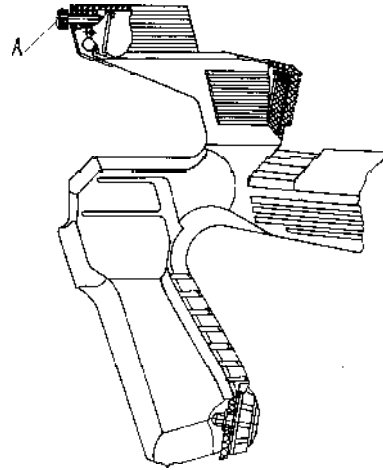
SPECIFICATIONS:

CALIBER177" / 4.5mm Pellets or BBs
BARREL LENGTH PISTOL	5.90"
BARREL LENGTH RIFLE	17.25"
OVERALL LENGTH PISTOL	9.45"
OVERALL LENGTH RIFLE	32.87"
VELOCITY	229.66 FT / SECOND
WEIGHT	3.3 LBS. RIFLE , 1.54 LBS. PISTOL



IZH-651K: Valve Unit

1. valve bushing
2. valve
3. locking element
4. valve spring
5. O-ring
6. adapter
7. O-ring



IZH-651K: Periscopical Unit

**IZH-651K: Pistol
Component Parts
and Assemblies**

1. barrel jacket
2. storage tube
3. feeder spring
4. lock
5. spring
6. feeder
7. slider
8. barrel gasket
9. magazine
10. spring
11. sear
12. valve unit
13. pin
14. screw
15. rear sight
16. grip
17. grip screw
18. cover
19. trigger
20. spring
21. ball
22. safety
23. screw
24. screw
25. barrel

