

---

# MODEL EAA BAIKAL IZH27



OVER AND UNDER SHOTGUN  
(12, 16, 20, 28 GA and .410 Bore)

## WARNINGS AND INSTRUCTION MANUAL

European American Armory Corp.  
3855 North U.S. Highway 1  
Cocoa, Florida 32926  
(321) 639-4842  
[www.eaacorp.com](http://www.eaacorp.com)  
E-mail: [eaacorp@eaacorp.com](mailto:eaacorp@eaacorp.com)

**EAA CORP. MODEL: IZH27  
OVER & UNDER SHOTGUNS  
WARNINGS AND INSTRUCTION MANUAL  
PLEASE READ THESE INSTRUCTIONS**

<b>MODEL NUMBER</b>	<b>BARREL LENGTH</b>	<b>GAUGES</b>
IZH27	26", 28", 30", 32"	12, 20, 16, 28, 410
	<b>TYPE</b>	<b>FINISH</b>
	OVER/UNDER SHOTGUN	BLUE

**GENERAL INFORMATION:**

Weight (average) - 28" = 7.7 Lbs.

Overall Length - 43", 45", 47", 49"

**FOR YOUR SAFETY AND THE SAFETY OF OTHERS**, this owner's manual contains important warnings, instructions and safety procedures which must be understood **BEFORE** using this firearm. Read the **ENTIRE MANUAL** and if you do not understand any part of it or the operation of your shotgun, stop and seek professional firearms instruction. You can get a copy of this manual from European American Armory Corp. upon request.

Record the serial number of your firearm (located on the top of the receiver underneath the top lever):

# \_\_\_\_\_

and a description of it:

\_\_\_\_\_

Make a copy of this manual and the proof of purchases/sales record for safekeeping in a secure safe or fireproof container. Such proof is necessary if the firearm is damaged, stolen or sent in for warranty repair.



## W A R N I N G

### **\*\*YOU RISK PERSONAL INJURY OR DEATH BY HANDLING THIS FIREARM\*\***

Before handling any firearm, make sure you know the safety procedures and most importantly, keep the firearm pointed in a safe direction.

Before handling this firearm, read, understand and follow the instructions in this manual. Always keep this manual with the firearm. If you lend, give or sell this firearm, be sure the manual goes with it. If there is anything you do not understand, seek advice from someone qualified in safe handling of firearms. You must **ALWAYS** obey the following warnings, instructions and safety procedures:

1. Always keep the muzzle pointed in a safe direction.
2. Firearms should be unloaded and secured when not actually in use.
3. Don't rely on your firearm's safety.
4. Be sure of your target and what's beyond it.
5. Use only proper ammunition matching the precise gauge of your specific shotgun.
6. If your shotgun fails to fire when the trigger is pulled, handle with care.
7. Always wear ear and eye protection when shooting.
8. Be sure the barrels are clear of obstructions before shooting.
9. Don't alter or modify your firearm and have it serviced regularly.
10. Learn the mechanical and handling characteristics of your shotgun.
11. Shoot sober!

## **Type Of Ammunition To Be Used:**

It is suggested that high quality commercially manufactured ammunition be used in this firearm. Avoid military surplus or old ammunition as it may not fire with sufficient force to expel the projectile or wad from the barrel. **The use of reloaded, high pressure or hand-loaded ammunition can be dangerous and will void the warranty.**



**LEAD WARNING:** The actual firearm does not contain any lead; however, it does fire ammunition which contains lead or lead compounds known to the State of California to cause cancer, birth defects, reproductive toxicity, and other serious physical injury. Those who discharge a firearm, stand near someone who discharges a firearm or clean firearms are hereby warned of the dangers presented by lead and lead compounds and should take protective health measures. Avoid exposure to lead while handling and wash your hands after contact. Proper air ventilation is absolutely necessary when shooting indoors.

## **NOTICE**

**SHOTGUNS ARE CLASSIFIED AS FIREARMS OR DANGEROUS WEAPONS** and are sold by European American Armory Corp. with the specific understanding that we are not responsible in any manner whatsoever for their safe handling or resale under local laws and regulations.

European American Armory Corp. shall not be responsible in any manner whatsoever for malfunctioning of the firearm, for physical injury or for property damage resulting in whole or in part from **(1)** intentional or negligent discharge, **(2)** improper or careless handling, **(3)** unauthorized modifications and/or alteration of the internal/safety mechanisms, **(4)** defective, improper, high pressure, hand-loaded, or reloaded ammunition, **(5)** corrosion and/or lack of proper maintenance **(6)** neglect, or **(7)** other influences beyond our direct and immediate control. This limitation applies regardless of whether liability is asserted on the basis of contract, negligence or strict liability (including any failure to warn). Under no circumstance shall European American Armory Corp. be liable for incidental or consequential damages, such as loss of use of property, commercial loss and loss of earnings or profits.

## FOLLOWING THESE SAFETY RULES CAN SAVE YOUR LIFE OR THE LIFE OF SOMEONE ELSE

Get competent firearms instruction in safe handling before using this firearm. Please ask your dealer for names of qualified instructors. All guns are extremely dangerous if carelessly handled or used. Remember that the firearm user is the primary “safety” and that reliance on any mechanical device should never replace safe handling procedures.

This firearm **WILL FIRE** if a cartridge is in the chamber and the trigger is pulled while the safety is disengaged.

**DO NOT LOAD THIS SHOTGUN UNTIL YOU UNDERSTAND HOW IT OPERATES.** KEEP this shotgun unloaded at all times except when you are ready to fire and sure of your target.

**ALWAYS** carry this shotgun in a case or original box unloaded.

**NEVER** point this shotgun at anything that is not your intended target even if the shotgun is unloaded. When loading, unloading, cleaning or handling, always be sure the muzzle is pointed in a safe direction and always keep your finger off the trigger.

**NEVER** assume any gun is unloaded. Before handling, check to make sure the chamber is empty. See Unloading Instructions. Make sure you know that this or any firearm is unloaded before displaying or handling it. When handling any firearm, keep your fingers away from the trigger at all times until you intend to fire.

Get instructions from a competent firearms instructor before using this or any firearm. Learn from a professional how to handle, load, unload, operate, fire and care for your gun.

**NEVER PLAY** with your firearm. It is not a toy and can be a very dangerous weapon that can cause serious personal injury or death.

Always keep the gun pointed in a safe direction. Treat every gun as if it is loaded...all the time. **NEVER** point any firearm (loaded or unloaded) at any person or anything you do not intend to shoot. Always keep your gun unloaded until ready to use and make sure that it is unloaded before cleaning.

Keep your finger **OFF** the trigger until you are actually aiming at the target and ready to shoot. Learn to rest your finger outside of the trigger guard.

Never rely on a gun’s “safety” to protect you from unsafe gun handling. A safety is only a mechanical device, not a substitute for using common sense and following gun safety procedures.

## **FOLLOWING THESE SAFETY RULES CAN SAVE YOUR LIFE OR THE LIFE OF SOMEONE ELSE**

Never leave a gun unattended or where it could fall.

Store guns and ammunition separately **beyond the reach of children**. Make sure that they are properly secured so untrained individuals and children will be denied access to your guns and ammunition.

Test your gun's operation and safeties only at a shooting range while the firearm is pointed in a safe direction.

Know your target and what is beyond. Ask yourself what the projectile will hit if it misses the target or passes through the intended target. Remember, a fired projectile can travel over a mile (including a ricochet) and is capable of going through walls. Never shoot at hard flat surfaces or water. . .shot ricochet.

Guns and alcohol or drugs do not mix. Don't take any alcoholic beverages and/ or drugs before or during shooting activities.

Never pull a gun toward you by the muzzle. Don't climb a tree, cross a ditch or fence with a loaded gun.

Always empty guns before entering a house, car, truck, boat, RV, camp or any building.

When receiving a gun, always open the action and check to make sure the chamber is unloaded.

**NEVER** accept anyone's word that a gun is "unloaded" or "empty." You should immediately open the action and check to make sure it is unloaded.

Be careful with **ALL** ammunition. Even "blank" cartridges are deadly at close range due to the muzzle blast. Make sure your ammunition is new and in good clean condition. Do **NOT** oil or grease ammunition as this may damage the cartridge primer. Do **NOT** tamper with or alter the standard factory ammunition.

Keep firearms unloaded when not actually in use. Load the gun only when on the range preparing to fire and unload it before leaving the range.

Never put your hand over the muzzle of a gun.

**ALWAYS WEAR** protective shooting glasses and hearing protection when using firearms.

## **FOLLOWING THESE SAFETY RULES CAN SAVE YOUR LIFE OR THE LIFE OF SOMEONE ELSE**

Spectators should be at least 10 feet behind and away from the shooter while the shooter is loading, shooting and unloading. Spectators should wear protection for hearing and sight loss and they should avoid distracting those shooting their firearms.

Never drop your gun. If you do drop it, unload it and check it for proper function before using it again.

Do **NOT** alter or modify your gun. Don't try to change your gun's trigger pull, because it may affect sear engagement and thereby cause accidental firing.

Do **NOT** remove any internal safety or safety device on the firearm. Safety mechanisms are designed to help protect you from injury or death.

Properly maintain and keep your gun clean. Keep it in a dry place away from other metals and water. If your gun shows sign of corrosion or improper operation, have it serviced by a competent gunsmith.

Keep the muzzle pointed in a safe direction when loading and unloading your gun. Never point the muzzle at anyone.

If a gun fails to fire when the trigger is pulled, keep it pointed down range at the target for 60 seconds. Sometimes slow primer ignition may cause a delay in full ignition of the cartridge. If after 60 seconds, the cartridge does not fire, keep muzzle pointed in safe direction and avoid exposure to the breech, as you attempt to unload your firearm.

Never let water, snow, mud or other material enter the barrel. Always be sure the barrel is free of any obstruction.

Since many ammunition identifications sound similar, be sure that you use only the correct ammunition for your gun. Do **NOT** use the wrong size or wrong strength ammunition in your firearm.

**Teach children:** **1. NOT** to touch guns, bullets, cartridges, shells, flares or any explosive device and **2.** That if they discover such a dangerous item or weapon, they must immediately report its location to their parents, school teacher or police.

Remember a firearm has the capability of taking your life or the life of someone else. Be careful with your firearm — an accident is almost always the result of not following basic safety rules.

## Use the Security Lock Provided with your Shotgun

This shotgun comes with a security lock to assist in protecting against unauthorized use. See **Picture A**. The shotgun must be unloaded when the security lock is in place on the shotgun. **WARNING:** Using the security lock cannot substitute for securing your firearm and ammunition in separate, locked locations.



**Picture A**

The security lock operates as follows:

1. To open the Trigger Lock put the Key into the notches of the Trigger Lock Nut and unscrew it counter-clockwise. See **Figures 1 and 2**. Remove the Trigger Lock Screw.



**Figure 1**



**Figure 2**

2. To install the Trigger Lock on an over and under break-open shotgun put the Trigger Lock around the trigger guard. See **Figure 3**.



**Figure 3**

3. Screw the Trigger Lock Nut on the Trigger Lock Screw (clockwise) and tighten the nut with the key. **DO NOT TIGHTEN THE NUT TOO TIGHT OR YOU COULD DAMAGE THE LOCK SCREW.** See **Figure 4**.



**Figure 4**

4. To remove the Trigger Lock, unscrew the Trigger Lock Nut with the key and detach the Trigger Lock Screw. See **Figure 5**.



**Figure 5**

### **WARNING**

Always store the key to the security lock: (1) in a separate location away from the shotgun; (2) in a secure location unknown and not accessible to others, especially children. Whether you secure your firearms by using the supplied security lock, a gun lock or safe or some other mechanism, it is **YOUR RESPONSIBILITY** to store your firearms in such a manner that children and other unauthorized persons cannot gain access to them.



**USED FIREARMS** - Firearms are sometimes altered to work incorrectly, or parts may be removed, lost or replaced with incorrect parts. If you got your European American Armory Corp. firearm as a used gun, **BEFORE USING IT** you should take it to a good gunsmith who knows European American Armory Corp. firearms, and have him examine it.

**WRITE European American Armory Corp.** concerning any items or circumstances which you don't understand and which might relate to your safety and the operation of your firearm at: European American Armory Corp., 402 Richard Road, Rockledge, FL. 32955, phone: (321) 639-4842.



### **W A R N I N G (POTENTIAL OBSTRUCTIONS)**

**BEFORE LOADING** or firing a shotgun, examine the bore and the firing chamber to be certain they are clean and free of any obstruction. Even a heavy coat of oil, grease, snow or water may result in damage to the firearm and injury to the shooter and/or persons near the firearm. A misfire or unusual sound upon firing is a signal to cease firing and to examine the chamber and bore. If there is any obstruction, clear the obstruction and clean the bore and chamber before firing.

Any bore obstruction, even if it is only partly blocked, may cause the gun to blow up if it is fired, or may cause damage to the gun such as a bulged barrel. To avoid injury or death to the shooter or bystanders, check the barrel before shooting or if a shot does not sound normal.



### **W A R N I N G**

Always keep the muzzle pointed in a safe direction! Never attempt to load or unload any firearm inside a vehicle, building or other confined space (except a properly constructed shooting range). Enclosed areas frequently offer no completely safe direction in which to point the firearm. If an accidental discharge occurs, there is great risk of death, personal injury or property damage. Before loading, always clean all, grease and oil from the bore and chamber, and check to be certain that no obstruction is in the barrel. Any foreign matter in the barrel could result in a bulged or burst barrel or other damage to the firearm and could cause serious injury to the shooter or to others.



### **W A R N I N G**

If there is any reason to suspect that a projectile is obstructing the barrel, immediately unload the firearm (See Unloading Instructions) and check the chamber and the bore. A wad, shot or some other matter may be lodged some distance down the barrel where it cannot easily be seen. Check the bore by using a cleaning rod to pass through the barrel. If a blockage is in the bore, **DO**

**NOT ATTEMPT TO SHOOT IT OUT WITH ANOTHER CARTRIDGE, OR BLOW IT OUT WITH A BLANK CARTRIDGE OR A CARTRIDGE FROM WHICH THE SHOT HAS BEEN REMOVED. SUCH TECHNIQUE(S) CAN GENERATE EXCESSIVE PRESSURE, DAMAGE THE FIREARM AND CAUSE SERIOUS PERSONAL INJURY.** If the blockage can be removed with a cleaning rod, clean any unburned powder grains from the bore, chambers and mechanism before resuming shooting. If the blockage cannot be dislodged by tapping it with a cleaning rod, take the firearm to a gunsmith.

### **⚠ WARNING (EYE AND EAR PROTECTION)**

When shooting, full eye and ear protection is mandatory at all times. Shooters and spectators must wear shooting glasses and hearing protection to prevent eye injury and hearing loss. Vision and hearing impairment can occur with only one moment of non-protection.

### **⚠ WARNING (Mechanical Malfunctions)**

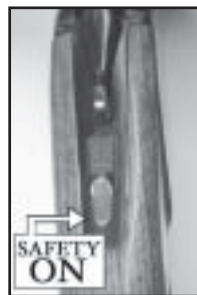
**STOP SHOOTING IMMEDIATELY AND UNLOAD YOUR FIREARM** if your firearm develops: a mechanical malfunction; binding or stoppage; spitting powder/gas; a punctured cartridge primer; a bulged or ruptured cartridge case; or a sound on firing does not sound quite right. Do **NOT** try one more shot but unload your firearm and take it and the ammunition to a qualified gunsmith or send the firearm back to European American Armory Corp. for examination. Do not assume that the shotgun is empty merely because you checked the chamber. You must also check the bore for any fired shot or wad jammed inside the barrel.

## **BASIC PARTS OF YOUR SHOTGUN**

### **EXTERNAL CONTROL PARTS:**

**Trigger Block Safety:** The safety mechanism of the shotgun provides protection against accidental and unintentional discharge under normal usage when properly engaged and in good working order. The safety mechanism is not a substitute for following the rules of safe gun handling. Do not disengage the safety unless you are ready to fire the shotgun. **MAKE SURE YOU UNDERSTAND HOW THE SAFETY WORKS BEFORE YOU LOAD OR USE THE SHOTGUN.**

The safety mechanism is a tang-style safety located behind the top lever. See **Figure 6**. To place the safety in the “on”



**Figure 6**

or “safe” position, pull the button all the way to the rear. When in the “on” or “safe” position, the safety blocks the rearward motion of the trigger(s). To place the safety in the “off” or “fire” position, push the slide all the way to forward. When in the “off” or “fire” position, a red dot is exposed behind the slide button. You have now disengaged the safety and the shotgun is in the ready-to-fire position. See **Figure 7**.

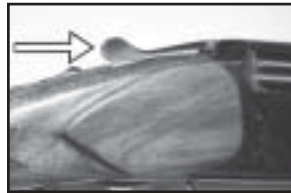


**Figure 7**

### **WARNING**

Do not touch the trigger(s) while moving the safety . When operating the safety, make sure you push or pull it to the full extent of its travel in the desired direction, either fully “on” or fully “off.” Half-safe or partially-safe is **UNSAFE**.

**Top Lever:** The top lever is located just forward of the safety mechanism. See **Figure 8**. The top lever is used to break open the action to load and/or unload the shotgun, and to assemble and disassemble the shotgun. To break open the action, fully push the top lever to the right. See **Figure 9**.



**Figure 8**



**Figure 9**

**Trigger(s):** Over and under shotguns from European Armory Corp. are available in either a double-trigger configuration or a single trigger configuration. See **Figure 10** and **Figure 11**.

Double-trigger shotguns are patterned after classic over and under shotguns with two triggers. The front trigger always fires the bottom barrel. The back trigger always fires the top barrel. Pulling either trigger with the safety in the “off” or “fire” position fires the shotgun.



**Figure 10**



**Figure 11**

### **WARNING**

Never pull the trigger(s) until you are actually ready to fire. Keep your fingers off the trigger(s) and outside of the trigger guard until you are ready to pull the trigger and fire the shotgun. When opening and closing the action and when engaging or disengaging the safety mechanism, make sure your fingers are outside the trigger guard and away from the trigger(s).

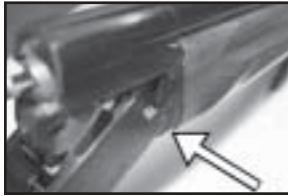
## **WARNING**

Never fire a double-trigger shotgun by using two fingers because you may inadvertently pull both triggers at the same time resulting in a near simultaneous firing of both barrels. Use your index finger to pull one of the triggers to fire the first shot. After that shot is fired, release the trigger and move your index finger to the other trigger to fire the second shot.

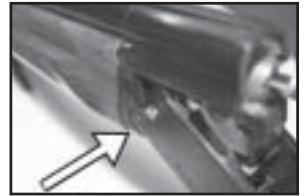
Single-trigger IZH27 shotguns have a single trigger which is used to fire each barrel. Once the trigger is pulled to fire the first barrel, release the trigger. The second barrel is then ready to be fired by pulling the trigger again.

**The Ejectors:** The IZH27 shotguns are equipped with ejectors which are preset at the factory for automatic ejection of fired rounds upon opening of the action. However, the ejectors may be adjusted by the user to disable the automatic-ejection feature. When the ejectors are set in the disabled position, fired shells will not be automatically ejected from the barrels when the action is opened.

The ejectors are controlled by set screws located on the curved portion at the front of the receiver. The right side set screw controls the ejection of shells from the bottom barrel. See **Figure 12**.



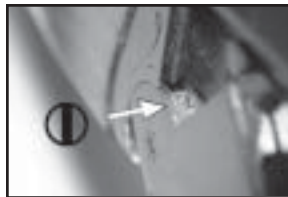
**Figure 12**



**Figure 13**

The left side set screw controls the ejection of shells from the top barrel. See **Figure 13**.

The set screws for the ejectors are preset at the factory for automatic ejection of fired shells when the action is opened. In the automatic setting, the slots in the set screws are oriented in a vertical position running perpendicular to the length of the barrels. See vertical positioning of slots as depicted in **Figures 14** and **15**.



**Figure 14**



**Figure 15**

To disable the automatic ejectors, open the action and turn the set screws clockwise  $\frac{1}{2}$  of a turn so that the set screw slots are in a horizontal position parallel to the length of the barrels. See **Figures 16** and **17**.



**Figure 16**



**Figure 17**

To return the shotgun to the automatic-ejection mode, simply turn the set screws counterclockwise ~ of a turn to their original position with the set screw slots oriented in a vertical position perpendicular to the length of the barrels. See **Figures 18** and **19**.



**Figure 18**



**Figure 19**

### **WARNING**

Never adjust or disable the ejector set screws when the shotgun is loaded. Adjust the set screws only when the shotgun is completely unloaded.

### **WARNING**

Never remove the ejector set screws from the shotgun. The ejectors are part of the shell case head support system. Shooting the shotgun with the ejectors removed or out of place may cause a shell head rupture causing serious personal injury.

**The Barrel Selector (for single-trigger shotguns only):** As configured by the factory, the Model IZH27 single-trigger shotgun is preset to fire the bottom barrel on the first shot and then the top barrel on the second shot. Once the shotgun is loaded, you may manually set the shotgun to fire the top barrel first. To select the top barrel, with the safety engaged in the “on” position, point the muzzle in a safe direction and push the trigger forward from the rear until you feel and hear a click. You have now set the shotgun to fire the top barrel on the first shot and the bottom barrel on the second shot. Note: Once you open the action with the top lever, the shotgun automatically returns to its original configuration of firing the bottom barrel first.

### **WARNING**

When you are pushing the trigger forward to select the top barrel, make sure the safety is “on” and the muzzle is pointed in a safe direction. **NEVER** use the barrel selector when the safety is in the “off” or “fire” position. Once you have used the trigger to select the top barrel, remove your finger from inside the trigger guard until you are ready to fire.

**The Forend:** The forend is the wooden grip piece which attaches to the barrel assembly and locks the barrel assembly into the receiver. See **Figure 20**. The forend has a mechanical latch which is used to lock and unlock the forend to the barrel assembly. Never attempt to fire your shotgun without having the forend locked in its proper position on the barrel assembly.



**Figure 20**

**The Serial Number:** The shotgun's serial number is located on the top of the receiver underneath the top lever.

## **DIRECTIONS FOR ASSEMBLY OF SHOTGUN:**

### **WARNING**

Before you begin to assemble the shotgun, you **MUST** (1) look down the barrels from the breech end toward the muzzle end to make sure there is no ammunition in the chambers or obstructions in the barrels, and (2) make sure the safety is in the "safe" position.

Your shotgun was shipped with the barrel assembly (barrels and forend) detached from the receiver assembly. To assemble the shotgun, follow these instructions:

1) Remove the plastic bags or wrapping covering the parts. Then remove the forend from the barrel by pulling outward on the mechanical lever in the lower midsection of the forend and tipping the forend out and away from the barrel. See **Figure 21**.



**Figure 21**

2) Now push the top lever of the receiver to the right and hold with one hand. Do not force the top lever. See **Figure 22**.



**Figure 22**

3) Holding the barrels with other hand, engage the lower locking lug located on the lower portion of the barrels with the receiver. The half-round cut out on the lower locking lug fits around the round bar in the forward lower portion of the slot in the receiver. With the barrels engaged into the receiver, swing the barrels up into the locked position. The top lever should move back to the center once the barrels are locked into position. Note: The top lever may not move completely to the center on a new shotgun until the gun is broken in. The top lever must move at least three

quarters of its full travel distance. See **Figure 23 (a,b,c)**.



**Figure 23a**



**Figure 23b**



**Figure 23c**

4) Now that the barrels have been locked into the receiver, you must reattach the forend to the barrels. Place the forend on the front curve of the receiver (the angle between the forend and barrels should be about 20 degrees). Keep contact between forend and receiver and with an upward swinging motion, lock the forend into the barrels. While it may be necessary to push the latch into its final flat position, never force the latch into position. See **Figure 24**.



**Figure 24**

**⚠ WARNING** Never fire the gun unless the barrels are locked into position on the receiver and the forend is locked into the receiver and barrels.

5) Make sure the trigger block safety is engaged after completion of assembly (Red Dot covered). See **Figure 25**.



**Figure 25**

## **LOADING AND UNLOADING YOUR SHOTGUN**

**⚠ WARNING** Never load or fire the shotgun unless the barrels are locked into position on the receiver, and the forend is locked in to the receiver and barrels.

**⚠ WARNING** Make sure the shotgun is pointed in a safe direction and the trigger block safety is engaged at all times while loading and unloading. **NEVER** allow your fingers or other objects to contact the trigger(s) while loading or unloading.

**⚠ WARNING** Do not disengage the trigger block safety until you are ready to fire and have the gun pointed safely downrange.

## WARNING

**Do not load shotgun until you are ready to fire.**

### **TO LOAD:**

1) Make sure the ammunition that you are using is the correct size and gauge. The barrel is marked with the gauge and chamber size. Barrels marked 3" 76mm will use only 2 3/4" (70mm) or 3" (76mm) shot shells and must not be used with 3 1/2" (89mm) shells. Barrels marked with 2 3/4" (70mm) will use only 2 3/4" (70mm) and must not be used with or 3" (76mm) or 3 1/2" (89mm) shells.

2) Visually inspect the chambers and barrels for obstructions by breaking open the shotgun by depressing the locking lever and tipping the barrels down. The chambers and barrels should be free of oil or grease or obstructions. See **Figure 26**.



**Figure 26**

3) After inspection load the correct type of shot shells into the chambers making sure that the shells are flush with the extractor. See **Figures 27 and 28**). Then close

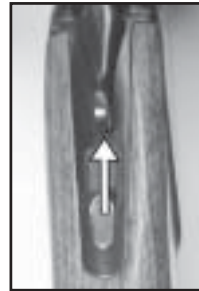


**Figure 27**



**Figure 28**

the action by swinging the barrels up until they lock into the receiver. The locking latch should move to its fully locked position. See **Figure 29**. If the locking lever does not move to the fully locked position. (see **Figure 30**) break open the action again and check to see if the shot shell is fully seated in the chambers. If the shells are fully seated then re-close the action. If the shot shells are not fully



**Figure 29**



**Figure 30**

seated, check the chambers for blockage and check the shells for deformation and retry closing the action once more. If the shells are the correct type and the chambers are not blocked and the shells are not deformed and the top lever does not move to its fully locked position, unload the gun (follow Unloading Instructions) and have a competent gunsmith look at the gun or return the gun to European American Armory Corp. for inspection. Do not force the shotgun closed.



## TO UNLOAD:

- 1) Break open the shotgun by pushing the top lever of the receiver all the way to the right and tipping the barrels down. See **Figure 31**.
- 2) Remove the shell(s) from the chamber(s) by grabbing them by the rims and pulling them from the chambers. See **Figure 32**.
- 3) Visually check the barrels to make sure that they are free from obstructions. See **Figure 33**.



Figure 31



Figure 32





Figure 33

## FIRING YOUR SHOTGUN

### **WARNING**

**Never load a cartridge into the chamber until you are ready to fire the shotgun.**

 **WARNING** Do not disengage the trigger block safety until the shotgun is pointed in a safe direction and you are ready to fire.

 **WARNING** If a cartridge does not fire and the trigger has been pulled and the trigger block safety is disengaged, Stop! Then do the following: **a)** Make sure the gun is pointed in a safe direction **b)** Engage the trigger block safety **c)** Wait 60 seconds **d)** Follow the instructions above for unloading the shotgun.

### **WARNING**

If during firing the sound of any cartridge is noticeably softer or louder than the previous cartridge fired, Stop! Then do the following: **a)** Make sure the gun is pointed in a safe direction **b)** Engage the trigger block safety **c)** Follow the instructions above for unloading the shotgun and **d)** With the shotgun unloaded visually inspect the shotgun for barrel blockage or damage. Then inspect the receiver of the shotgun for damage before continuing.

# READ, UNDERSTAND AND FOLLOW ALL WARNINGS AND INSTRUCTIONS IN THIS MANUAL BEFORE FIRING THE SHOTGUN.

## TO FIRE THE SHOTGUN:

1) Make sure you are wearing eye and ear protection.

2) Make sure the shotgun is pointed in a safe direction with the trigger block safety engaged. See **Figure 34**.



**Figure 34**

3) Keeping your fingers away from the trigger(s), push the trigger block safety to the “off” or “fire” position with the red dot showing. See **Figure 35**.



**Figure 35**

4) With the butt stock held firmly against your shoulder and the barrel pointed towards your intended target, place your trigger finger on the trigger. The shotgun will fire when you pull or squeeze the trigger with the requisite force. See **Figure 36**.



**Figure 36**

5) If you wish to fire a second shot from the other barrel, you must:

a) In the case of a Model IZH27 single-trigger shotgun, release the trigger and then pull or squeeze it again. The second barrel will then fire.

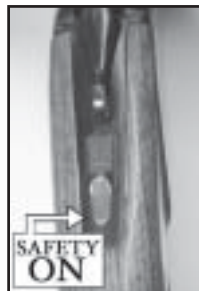
b) In the case of a Model IZH27 double-trigger shotgun, move your finger to the other trigger and pull or squeeze that trigger. The second barrel will then fire.

**⚠ WARNING** Once you have stopped firing the shotgun, immediately pull the trigger block safety back to the “on” or “safe” position. Then follow the unloading instructions above while keeping the muzzle pointed in a safe direction.

## DIRECTIONS FOR DISASSEMBLY OF THE SHOTGUN:

1) Make sure the shotgun is unloaded (**FOLLOW UNLOADING INSTRUCTIONS**) and pointed in a safe direction.

2) Make sure the trigger block safety is engaged in the “on” or “safe” position. See **Figure 37**.



**Figure 37**

3) Make sure the barrel assembly is locked into the receiver and the action closed. The top lever should now be in the center position. Remove the forend from the barrels by pulling out the mechanical lever in the lower center of the forend and removing the forend in a downward outward swinging motion. See **Figure 38**. Never force the forend off the barrels and receiver.



**Figure 38**

4) With the barrels and receiver supported with one hand, push the top lever fully to the right and tip the barrel assembly down until it disengages from the receiver. Check the barrels for damage and obstructions after removal. See **Figure 39**.



**Figure 39**

### **MANUFACTURER'S WARNING:**

This firearm was manufactured to properly perform with the original parts as designed. It is your duty to make sure any parts you buy are correctly installed and that neither replacements nor originals are altered or changed. Your gun is a complex tool with many parts that must relate correctly to other parts for safe and accurate operation. Putting a gun together wrong or with modified parts can result in a damaged gun, or personal injury or death to you or others. Always let a qualified gunsmith work on your gun or at least, check any work not performed by a gunsmith. Firearms safety is your primary concern. **THE GUN OWNER MUST ACCEPT FULL RESPONSIBILITY FOR THE CORRECT REASSEMBLY AND FUNCTIONING OF THE FIREARM AFTER ANY DISASSEMBLY OR REPLACEMENT OF PARTS.**

### **TO CLEAN AND MAINTAIN YOUR SHOTGUN:**

- A) Follow procedures for unloading shotgun as described previously.
- B) Follow procedures for disassembly of shotgun as described previously.
- C) Materials needed to clean this shotgun are: a cleaning rod, cotton bore patches, brass bore brush, powder solvent, a small soft brush and good quality gun oil.

**⚠ WARNING:** Lead or lead compounds are known to the State of California to cause cancer, birth defects, reproductive toxicity, and other serious physical injury. Those who clean firearms should take protective measures to avoid contact or exposure to such chemicals.

- D) Using the bore brush with powder solvent, scrub the interior of the barrels and chambers to remove any powder and lead residue in the bore. Always and lastly, swab the interior of the barrels with cotton patch with gun oil to coat and protect the bore and chambers from rust and corrosion.

**E)** Any powder fouling on the firing wall, barrel, etc. can be easily cleaned with a brush and powder solvent.

**F)** All external surfaces should be wiped down with a light coat of rust preventative. Avoid using too much oil as powder, dust or other foreign material may get trapped in the oil. This could lead to congealed deposits which may interfere with the safe and reliable operation of the shotgun.

**G) USE CAUTION** while using solvents in gun bore cleaning. Prolonged or excess contact with solvents can damage the gun's bluing and finish. Be sure to wipe away all excess solvent and then lubricate with oil.

**H)** A gun should be cleaned after firing. In addition, external parts should be wiped with an oiled cloth after handling. A light oil is ordinarily all that is necessary in cleaning if the gun has not been fired or fired very little. If a gun is used frequently, it must be cleaned after each firing and regularly serviced by a professional gunsmith. If the gun has been stored, remove all excess oil and/or grease before firing. Always check to be sure that no cleaning patch or other obstruction remains in the bore or chambers before firing.

## **DANGER – AMMUNITION WARNING**

Firearms may be damaged and serious personal injury or death to the shooter or bystanders may result from any condition which contributes to the generation of excessive pressure or uncontrolled release of gas within the firearm. Such adverse conditions can be caused by bore or chamber obstruction, propellant powder overloads or by defective, incorrect or improperly loaded and assembled cartridge components. Even the strongest firearm can be blown up as a result of excessive pressure. It is extremely dangerous to use a cartridge whose pressure is greater than that developed by cartridges loaded to industry standards.

## **AMMUNITION (CARTRIDGES) NOTICE**

We specifically disclaim responsibility for any damage, personal injury or death occurring in connection with or as the result of the use of EAA Corp. shotguns with faulty, nonstandard, remanufactured, hand-loaded or reloaded ammunition, used cartridges or cartridges other than factory cartridges for which the firearm was originally chambered.

## **LUBRICATION WARNING**

Firing a shotgun with oil, grease or any other material even partially obstructing the bore may result in damage to the shotgun and personal injury to the shooter and those nearby. Do not spray or apply lubricants directly on ammunition. If the powder charge of a cartridge is affected by the lubricant, it may not fully ignite yet the energy from the primer and/or powder may be sufficient to push the projectile or wad into the bore where it may become lodged. Firing a subsequent cartridge into the obstructed bore will damage the shotgun and may cause personal injury to the shooter and those nearby. Use lubricants properly. You are responsible for the proper care and maintenance of your firearm and ammunition.

## **ONE YEAR LIMITED WARRANTY**

This EAA Corp. firearm is warranted to the original retail customer for One Year from date of purchase against defects in material and workmanship. All parts and labor or replacement **at our option** are covered. Wood Stock and Wood Forend are not covered by the One Year Warranty. The warranty on the wood stock and forend is 60 days from purchase and only covers manufactured and material defects.

Transportation to and from our repair facilities, government fees, damage caused by failure to perform normal maintenance, sales outside the United States, damage due to use of high velocity, high pressure, reloaded or other nonstandard ammunition, or any unauthorized repair, modification, misuse, abuse, or alteration of the product is not covered by this Limited Warranty.

Any implied warranties, including the implied warranties of merchantability and fitness for a particular purpose, are limited to one year from date of original retail purchase. Consequential or incidental damages and/or expenses, or any other expenses are not covered by this warranty.

To obtain warranty performance send your firearm with proof of retail purchase, freight prepaid to:

**European American Armory Corp.  
3855 North U.S. Highway 1  
Cocoa, Florida 32926**

**NOTICE:** It is illegal to ship a firearm with ammunition in the firearm or in the same packaging. Firearms and ammunition must be shipped separately. For information about shipping ammunition, call EAA Corp. at (321) 639-4842

## **WARNING—ALTERATIONS OR MODIFICATIONS**

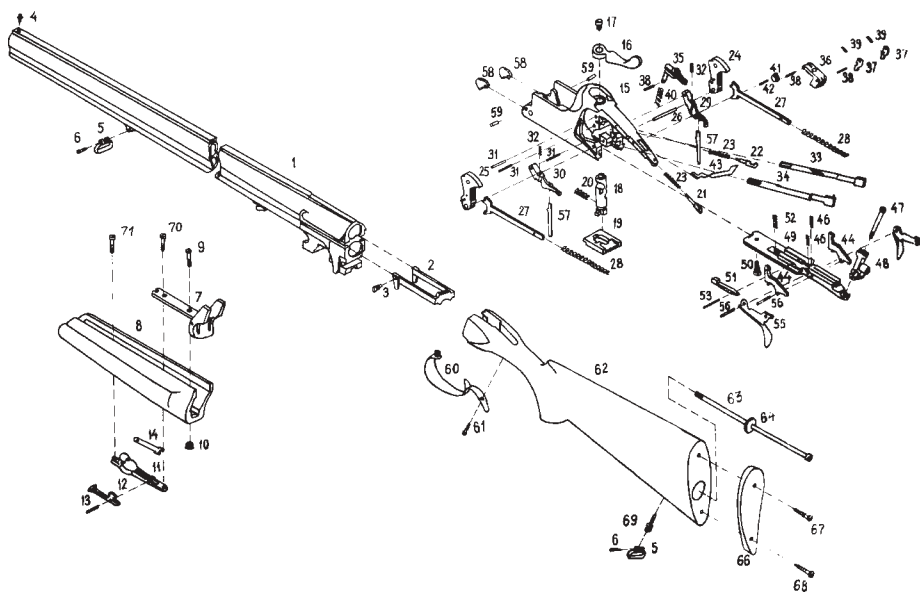
Altering or modifying parts and/or internal safeties is dangerous and will void the warranty. This shotgun was manufactured to perform properly with the original parts as designed. It is your duty to make sure any parts you buy are made for this firearm and are installed correctly and that neither the replacements nor originals are altered or changed. Your gun is a complex precision tool with many parts that must relate correctly to other parts in order for proper and safe operation. Putting a gun together wrong or with incorrect or modified parts can result in a damaged gun, danger, and personal injury or death to you and others through malfunction. Always have a qualified gunsmith work on your gun or at least check any work not performed by a gunsmith.

## **YOUR OWNER'S MANUAL**

Always keep this manual with your firearm. Make sure you understand all the warnings, operation instructions and safety procedures. When you lend, give or sell the firearm, be sure this manual goes with it. You can get a copy of this manual from European American Armory Corp. upon request.

ALL PARTS ORDERS ARE SUBJECT TO A \$10.00 CHARGE FOR SHIPPING AND HANDLING. Please state Model, Caliber, Serial Number, and Finish Color when ordering. For parts, information and service contact: European American Armory Corp., 402 Richard Road, Rockledge, FL. 32955 Phone: (321) 639-4842.

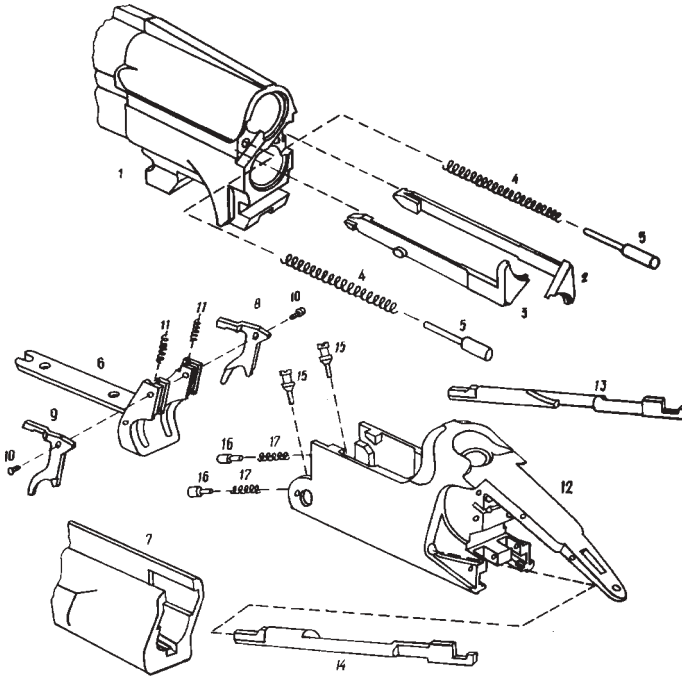
## PARTS LIST Fig. 1 – IZH27 Exploded View



### List of IZH27 Components

- |                                |                               |                            |
|--------------------------------|-------------------------------|----------------------------|
| 1. barrel assembly             | 25. left-hand hammer assembly | 48. bridge                 |
| 2. ejector                     | 26. pin                       | 49. base plate             |
| 3. screw                       | 27. mainspring pivot          | 50. screw                  |
| 4. front sight                 | 28. mainspring                | 51. locking strip retainer |
| 5. swivel ring                 | 29. right-hand sear           | 52. spring                 |
| 6. pin                         | 30. left hand sear            | 53. pin                    |
| 7. hinge assembly              | 31. pin                       | 54. right-hand trigger     |
| 8. fore grip                   | 32. spring                    | 55. left-hander trigger    |
| 9. screw                       | 33. right-hand bolt plunger   | 56. pin                    |
| 10. bush                       | 34. left-hand bolt plunger    | 57. trigger bar            |
| 11. catch casing               | 35. safety lock button        | 58. cock                   |
| 12. fore grip catch            | 36. safety lock base          | 59. pin                    |
| 13. pin                        | 37. safety lock               | 60. trigger guard          |
| 14. spring                     | 38. pin                       | 61. woodscrew              |
| 15. housing                    | 39. spring                    | 62. butt                   |
| 16. locking lever              | 40. spring                    | 63. screw                  |
| 17. screw                      | 41. clip                      | 64. washer                 |
| 18. locking lever axle         | 42. pin                       | 66. butt plate             |
| 19. locking strip              | 43. slide                     | 67. woodscrew              |
| 20. recoil spring              | 44. interceptor               | 68. woodscrew              |
| 21. top striker                | 46. spring                    | 69. swivel base            |
| 22. bottom striker             | 47. screw                     | 70. screw                  |
| 23. striker spring             |                               | 71. screw                  |
| 24. right-hand hammer assembly |                               | 72. washer                 |

**Fig. 2 - IZH27 Ejector Parts**

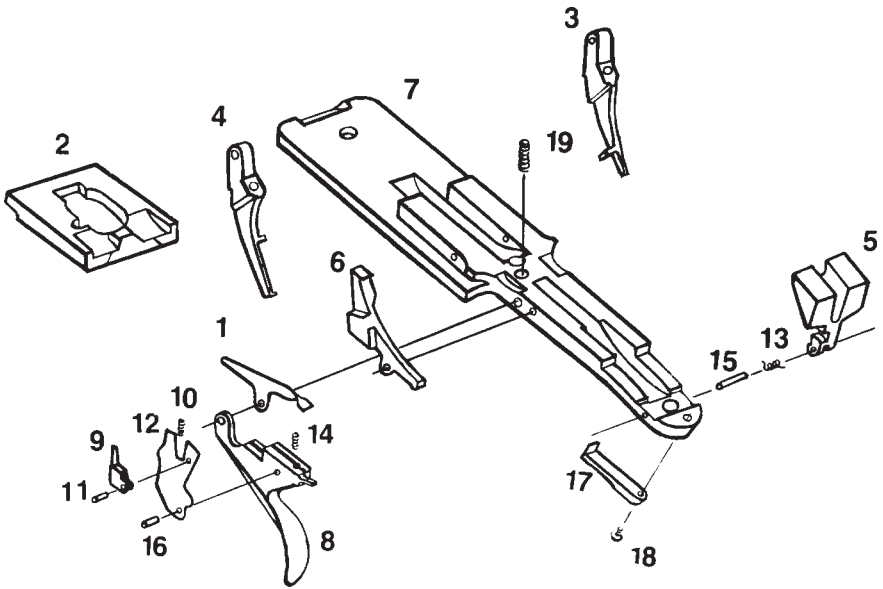


**Figure 2- LIST OF COMPONENTS**

1. barrel assembly
2. right-hand ejector
3. left-hand ejector
4. ejector spring
5. plunger
6. hinge assembly
7. fore grip
8. ejector right-hand sear
9. ejector left-hand sear
10. ejector sear bolt
11. spring
12. base
13. right-hand bolt plunger
14. left-hand bolt plunger
15. tripping lever
16. tripping lever catch
17. spring



**Fig. 3 - IZH27 Single Trigger Mechanism Parts**



**Figure 3- LIST OF COMPONENTS**

1. carrier
2. locking strip
3. right-hand sear
4. left-hand sear
5. inertia-type tripping lever
6. interceptor
7. base plate
8. trigger
9. selector lever
10. selector lever spring
11. selector lever pin
12. trigger bar
13. tripping lever spring
14. trigger bar spring
15. tripping lever pin
16. trigger bar pin
17. trigger spring
18. change lever spring screw
19. interceptor spring

## OPTIONAL CHOKE TUBES

**WARNING.** Never install or remove choke tubes while the firearm is loaded. Only install or remove choke tubes with the firearm unloaded, the action open and the trigger block safety engaged.

### **Screw in Chokes Symbols/Markings (This is an option—not all IZH27 shotguns have this feature)**

The end of the choke tubes are marked with slashes to identify the choke constriction:

/	- Full
//	- Improved Modified
///	- Modified
////	- Improved Cylinder
CI	- Cylinder

**WARNING! MAKE SURE YOU FULLY TIGHTEN THE CHOKE TUBE**  
**Shooting with a loose choke tube can cause damage to your shotgun.**

### **Additional information on screw choke tubes:**

**A)** Only tighten or loosen choke tubes with flat key wrench supplied with shotgun. Note: wrench (and extra choke tube or tubes if supplied) are under the cardboard in front of the shotgun receiver in the box.

**B)** Never shoot the shotgun with a partially installed choke tube.

**C)** IZH27 shotguns are available with fixed choke or screw choke barrels. There are two types of screw chokes available: lead shot choke tubes and steel shot choke tubes. When installed, steel shot choke tubes protrude approximately 3/4" from the muzzle end of the barrel and the mating lip will be flush with the end of the barrel. When installed, lead shot choke tubes fit flush with or slightly below the muzzle end of the barrel. If you have lead shot choke tubes and intend to shoot steel shot cartridges or slugs, then you must use only the IC or Cylinder tubes. **DO NOT** fire steel shot or slugs in Modified, Improved Modified or Full lead shot choke tubes. If you have steel shot choke tubes, you may fire steel shot cartridges through any of those choke tubes. **DO NOT** fire slugs in Modified, Improved Modified or Full lead shot choke tubes or steel shot choke tubes.

**D)** Correctly installed choke tubes: Lead shot choke tubes should fit flush or slightly below the muzzle end of the barrel. Steel shot choke tubes will protrude out from the barrel about 3/4" and the mating lip will be flush with barrel end.

**E)** Before using the shotgun make sure that the choke tubes are installed correctly.

**F)** Keep choke tubes lubricated and installed. Never fire the gun without a choke tube installed. Handle choke tubes carefully since the leading edge is very thin.

Notes on Shot Material and Chokes:

1) Shells using Bismuth or Tungsten-Matrix shot are subject to the same barrel and choke tube limitations as lead shot. Shells using Tungsten-Iron shot or Hevi-Shot are subject to the same barrel and choke tube limitations as steel shot.

2) On fixed choke guns, shells loaded with steel, Tungsten-Iron or Hevi-Shot should be fired only in IC or Cylinder barrels. **DO NOT** fire steel, Tungsten-Iron or Hevi-Shot shells in fixed barrels with Modified, Improved Modified or Full choke barrels. Lead, Bismuth and Tungsten-Matrix may be fired in all fixed choke barrels.

3) On fixed choke guns, slugs may be fired in only IC and Cylinder barrels. **DO NOT** fire slugs in fixed choke barrels with Modified, Improved Modified or Full chokes.

If you would like to buy extra choke tubes (skeet, trap, extra full, etc.) call 1-321-639-4842

 **WARNING**

Children are attracted to and can operate firearms that can cause severe injuries or death.

Prevent child access by always keeping guns locked away and unloaded when not in use. If you keep a loaded firearm where a child obtains and improperly uses it, you may be fined or sent to prison.

 **ADVERTENCIA**

A los niños les atraen las armas de fuego y los pueden hacer funcionar. Ellos pueden causarse lesiones graves y la muerte.

Evite que los niños tengan acceso a las armas de fuego guardándolas siempre con llave y descargadas cuando no las esté utilizando. Si usted tiene un arma de fuego cargada en un lugar en el que un niño tiene acceso a ella y la usa indebidamente, le pueden dar una multa a enviarlo a la cárcel.

**Importer:**

European American Armory Corp.  
3855 North U.S. Highway 1  
Cocoa, FL 32926

**Manufacturer:**

Izhevsky Mekhanichesky Zavod  
8, Promyshlennaya str.,  
426063 Izhevsk, Russia