

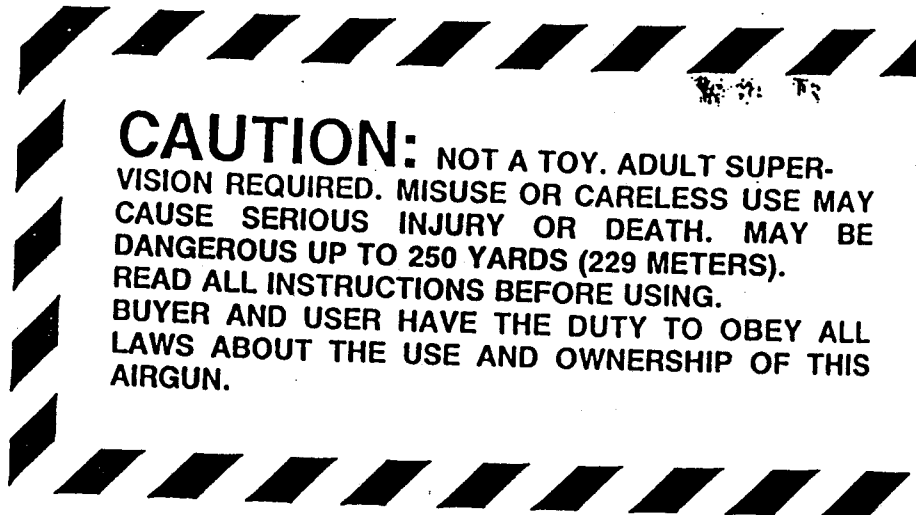


Model 338 AUTO™

Model 338 Auto™ OWNER'S MANUAL



**READ ALL INSTRUCTIONS AND WARNINGS IN
THIS MANUAL BEFORE USING THIS AIRGUN.**



CAUTION: NOT A TOY. ADULT SUPERVISION REQUIRED. MISUSE OR CARELESS USE MAY CAUSE SERIOUS INJURY OR DEATH. MAY BE DANGEROUS UP TO 250 YARDS (229 METERS). READ ALL INSTRUCTIONS BEFORE USING. BUYER AND USER HAVE THE DUTY TO OBEY ALL LAWS ABOUT THE USE AND OWNERSHIP OF THIS AIRGUN.

THIS AIRGUN IS INTENDED FOR USE BY THOSE 16 YEARS OF AGE OR OLDER.

CONGRATULATIONS!

- Detailed replica of world-famous military sidearm.
- Convenience and consistency of Crosman CO₂ power – no pumping, just load and shoot!
- Automatic BB pistol – shoot as fast you can pull the trigger.

To get the most enjoyment from your new airgun, please read this owner's manual completely. And remember, the Model 338 Auto is not a toy. Treat it with the same respect you would a firearm. Always carefully follow the safety instructions found in this owner's manual and keep this manual in a safe place for future use. Thank you for choosing a Crosman airgun.

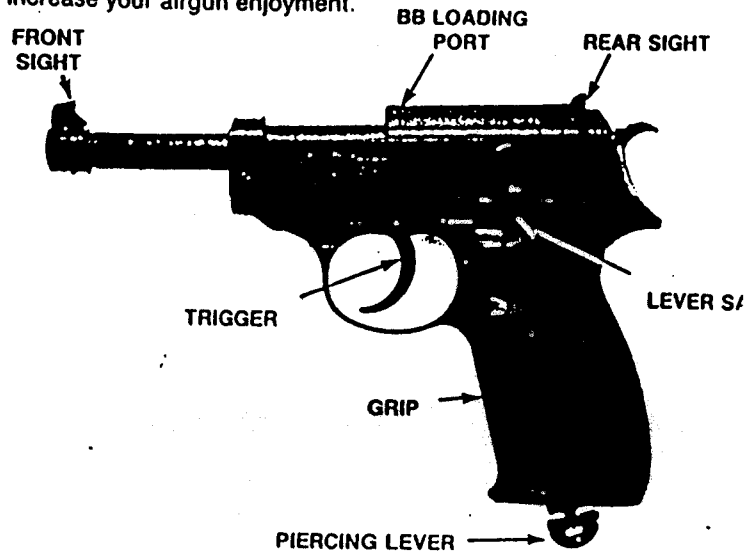
STEPS FOR SAFE SHOOTING

	Page
Step 1. Learning the Parts of Your New Pistol.....	4
Step 2. Operating the Safety.....	5
Step 3. Removing and Installing CO ₂ Cylinder.....	6-7
Step 4. Loading and Unloading the Pistol.....	8-9
Step 5. Aiming and Firing Safely.....	10
Step 6. Maintaining your Pistol.....	11-12
Step 7. Reviewing Safety.....	13
Step 8. Using and Enjoying Your Pistol.....	14-15



Step 1. Learning the Parts of Your New Air Pistol.

Learning the names of the parts of your new pistol will help you to understand your owner's manual. Use this manual to increase your airgun enjoyment.



Step 2. Operating the Safety

- A. To put the pistol on safe, locate the lever safety above the left hand grip. Swing the lever all the way down to the stop. ("Down Safe" position). The safety is not on unless it is in this position. The pistol cannot be fired when on safe. (Fig. 1)
- B. Even when the safety is in the "Down Safe" position you should continue to handle the pistol safely. Don't point the gun at anything you don't intend to shoot.
- C. To take the pistol off safe, swing the lever safety up so it points toward the barrel. ("Up Fire" position). The pistol can be fired when off safe.

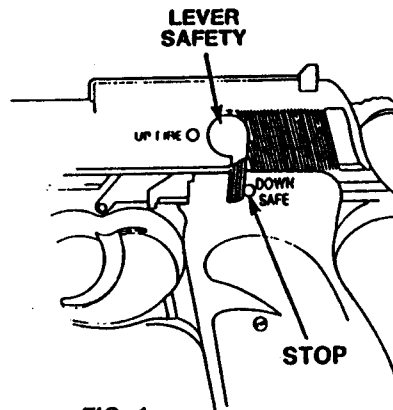


FIG. 1

CAUTION: KEEP THE SAFETY IN THE "DOWN SAFE" POSITION UNTIL YOU ARE ACTUALLY READY TO SHOOT. THEN SWING IT TO "UP FIRE".



Step 3. Removing and Installing CO₂ Cylinder

CAUTION: KEEP HANDS AWAY FROM ESCAPING CO₂ GAS. IT CAN CAUSE FROSTBITE IF ALLOWED TO COME IN CONTACT WITH SKIN.

A. Removing CO₂ Cylinder

- Put pistol on safe. (See Step 2)
- With one hand hold the pistol by the frame. With the other hand turn the piercing lever counterclockwise until it stops turning. (Fig. 2)
- Remove the grip cover from the right side of the pistol lifting from the bottom edge. This will remove the CO₂ cylinder.
- Slide the empty CO₂ cylinder from the holding clip. (Fig. 3)

B. Installing New CO₂ Cylinder

- Insert the new CO₂ cylinder into the pistol with the small neck of the cylinder pointing toward the piercing assembly. (Fig. 4)
- Snap the grip cover into place.
- With thumb and finger, turn piercing lever clockwise to pierce the CO₂ cylinder.
- Point the pistol in a **SAFE DIRECTION**, take off safe and pull the trigger. If the pistol does not fire, tighten the piercing lever a little more and try to fire again. Repeat until the gun will fire.
- Return safety to down safe position.

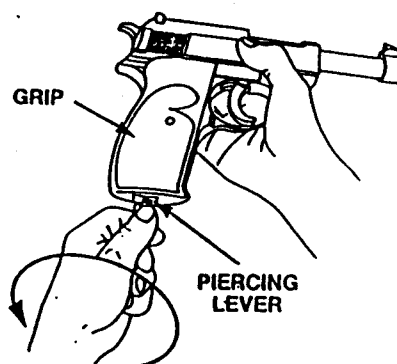
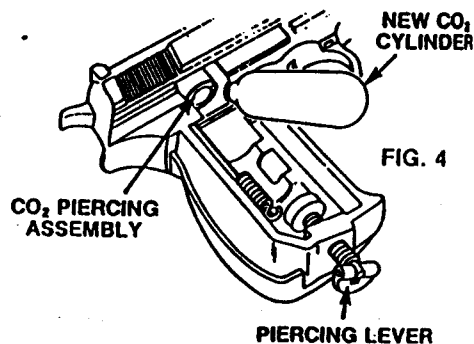
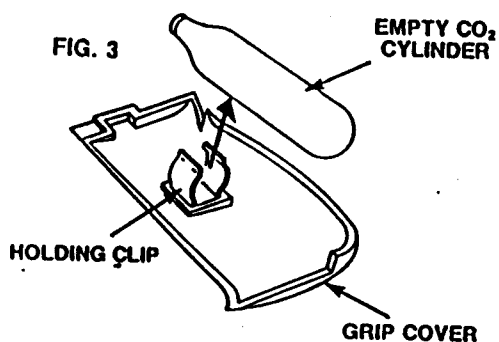


FIG. 2

6

- Never use any tool on piercing lever. Overtightening can cause injury to you or damage to your pistol.



NOTE: We recommend the use of Crosman Copperhead CO₂ Powerlets®. They are made to fit the Model 338 Auto. Other brands of CO₂ cylinders may not fit properly and if you force them into place it may result in injury to you or damage to your pistol. Never try to force any CO₂ cylinder into place.

7



Step 4. Loading and Unloading the Pistol

CAUTION: USE BBs ONLY. NEVER REUSE BBs. USE OF ANY AMMUNITION OTHER THAN BBs CAN CAUSE INJURY TO YOU OR DAMAGE TO THE PISTOL.

A. Loading the Pistol

- Put the pistol on safe. (See Step 2)
- Slide the BB loading port cover back toward the rear of the pistol. (Fig. 5)
- Pour no more than 20 BBs into the magazine. Loading more than 20 BBs into the magazine may cause a jam in the magazine.
- Close the loading port cover.
- Your pistol has a gravity BB feed system. In order to allow BBs to move into the fire position, the pistol must be held within the loading zone shown in Fig. 6. Outside this zone you may not be able to fire a BB unless you have previously brought the pistol through the load zone. If you fire the gun and a BB doesn't come out of the barrel, don't assume the gun is empty. Hold the gun in a parallel position, (Fig. 8) shake it and resume firing at your target.

CAUTION: ALWAYS TREAT YOUR PISTOL AS THOUGH IT WERE LOADED. DON'T POINT AT ANYTHING YOU DON'T INTEND TO SHOOT. ALWAYS AIM IN A SAFE DIRECTION.

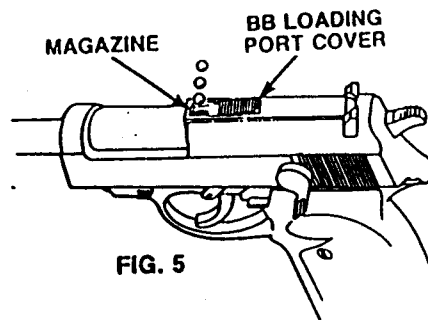


FIG. 5

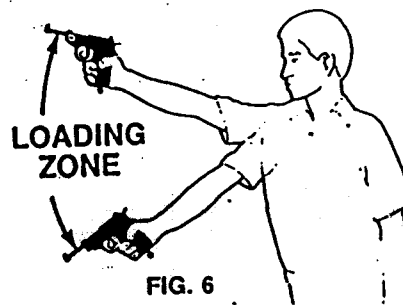


FIG. 6

8

B. Unloading the Pistol

- Put the pistol on safe. (See Step 2)
- Slide the BB loading port cover back, turn the pistol upside down, point the barrel downward just slightly and shake until all BBs are removed from the magazine. (Fig. 7)

CAUTION: THE PISTOL WILL STILL HAVE BBs IN THE LOADING MECHANISM.

- Return the pistol to a parallel firing position as shown in (Fig. 8), shake the pistol, point in a SAFE DIRECTION, take the pistol off safe, and fire.
- Repeat this procedure several times until you are sure you are no longer firing BBs.

CAUTION: EVEN THOUGH YOU HAVE GONE THROUGH THIS UNLOADING PROCEDURE, CONTINUE TO TREAT THE GUN AS THOUGH IT WERE LOADED. DON'T POINT AT ANYTHING YOU DON'T INTEND TO SHOOT. ALWAYS KEEP THE PISTOL ON SAFE UNTIL YOU ARE READY TO FIRE.

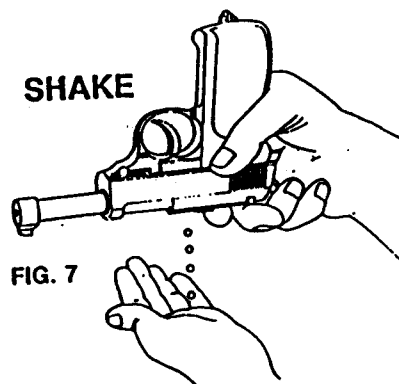


FIG. 7

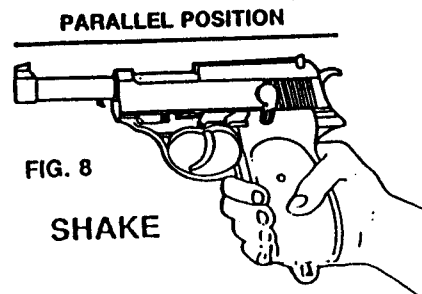


FIG. 8

9

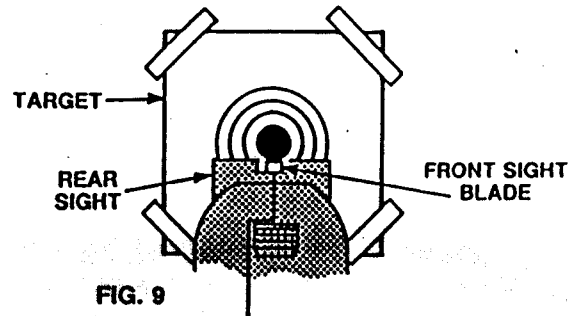


Step 5. Aiming and Firing Safely

Always aim your pistol in a **SAFE DIRECTION**. When you are sure of your target and backstop, and the area around the target is clear, take the pistol off safe (see Step 2) and squeeze the trigger to fire.

Don't shoot at hard surfaces or at the surface of water. The BB may bounce off or ricochet and hit someone or something you had not intended to hit.

The pistol is correctly aimed when the front sight blade is positioned exactly in the notch of the rear sight. The top of the front sight blade should be even with the top of the notch in the rear sight. The bullseye should appear to rest on the top of the front sight. (Fig. 9)



10

Step 6. Maintaining Your Pistol

Trouble Shooting Guide	REASONS								
	CO ₂ cylinder low or empty	Safety in on position	Barrel plugged	CO ₂ cylinder not fully pierced	Temperature below recommended level	Defective or improper ammunition	Ammunition not in load position	Gun fired beyond recommended number of shots	More than 20 BBs in magazine
INACCURACY	●			●	●	●		●	
BARREL PLUGGED	●				●	●		●	
GUN LEAKS				●					
LOW POWER	●			●	●	●		●	
GUN FAILS TO SHOOT	●	●	●	●	●	●	●	●	●

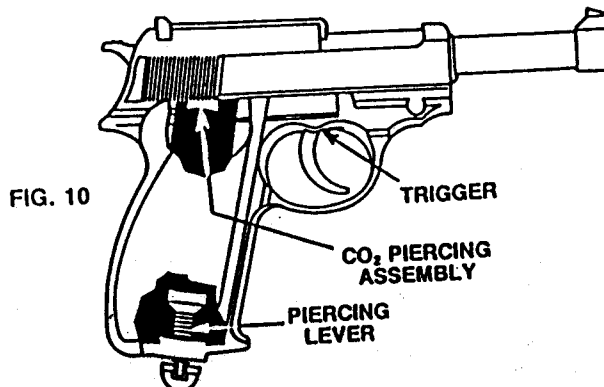
11



Your pistol will work best if you oil it every 250 shots. Put 2 to 3 drops of Crosman Pellgunoil™ at points shown in (Fig. 10). Don't overoil. This can cause damage to your pistol.

Tampering with the pistol or attempts to change the pistol in any way make it unsafe to use. If you drop

your airgun, check it to see that it works properly before you use it again. If anything seems changed, like a shorter or weaker trigger pull, this may mean worn out or broken parts. Don't use it again until you've had it checked by an Authorized Service Station. (A list of service stations is in the box with the pistol.)



12

Step 7. Reviewing Safety

- Always treat your pistol as though it were loaded. Don't point at anything you don't intend to shoot. Always aim in a **SAFE DIRECTION**.
- Always keep pistol on safe until you are ready to shoot in a **SAFE DIRECTION**.
- Keep hands away from escaping CO₂ gas. It can cause frostbite if allowed to come in contact with skin.
- Stop using a backstop if it becomes worn. Place backstop in a location that will be safe should the backstop fail.
- Never use any tool on the powerlet piercing lever. Overtightening can cause injury to you.
- Use BBs only. Never reuse ammunition.
- Don't shoot at hard surfaces such as metal or water. The BB may bounce off or ricochet and hit someone or something you had not intended to hit.
- Do not attempt to disassemble or tamper with your gun. Use a competent repairman.
- Always check to see if the pistol is on safe and unloaded when getting it from another person or from storage.
- Don't put the pistol away loaded.

Step 8. Using and Enjoying Your Pistol

Now that you have studied your owner's manual and understand how to use your pistol properly, you are ready to begin your shooting enjoyment. Follow these shooting tips for fun and safe shooting.

Choosing Targets

Always choose your targets carefully. It is best to shoot at paper bullseye targets which are attached to a safe backstop such as the Crosman Target Trap. A heavy blanket should be hung behind the target trap to prevent ricochet or BBs bouncing off should you miss the backstop. It is also best to wear shooting glasses to protect your eyes.

Don't shoot at hard surfaces or at the surface of water. The BB may bounce off or ricochet and hit someone or something you had not intended to hit. Your backstop should be checked for wear before and after each use. Stop using any backstop if the surface is worn or damaged or if the BB bounces off or ricochets.

Your airgun is designed for target shooting and is suited for both indoor and outdoor use. Always remember to place your target carefully. **THINK** what you will hit if you miss the target!



Shooting

We talked earlier about aiming your pistol. The next step is putting the sights together with the target. This is known as a sight picture.

A correct sight picture has the bulls-eye directly centered on top of the front sight. (Fig. 11)

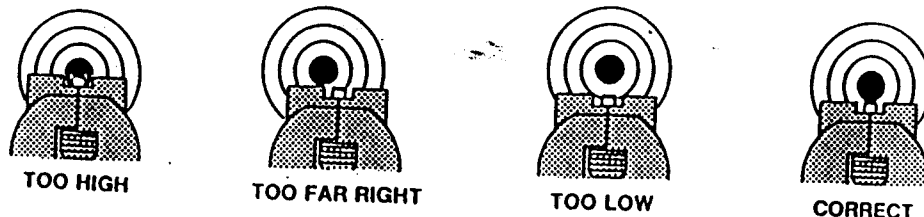


FIG. 11

Now with the sights and target in the proper position, you are ready to squeeze the trigger. The trigger must be squeezed smoothly to keep the sights aligned and on the target as you fire the gun. Allow the trigger to return to its full forward position after each shot. The Crosman 338 Auto™ is designed so you can shoot as fast as you pull the trigger, however, rapid firing is less accurate and will result in fewer shots per CO₂ cylinder.

Shooting Games

Competing with friends and holding informal shooting matches can make airgun ownership more fun and exciting. Crosman Shooting Games will help make your neighborhood matches the most popular around.

REMEMBER...shooters are made, not born. Know the basics of safe shooting.

15

SPECIFICATIONS

Mechanism:	Automatic BB Repeater
Caliber:	BB
Ammunition:	Crosman Copperhead BBs
Magazine:	20 BBs
Weight:	1½ lbs.
Overall Length:	8½ inches
Sights: Rear	Fixed Notch
Front	Blade
Barrel:	Solid Steel-5.36 inches
Safety:	Lever

PERFORMANCE

Average Muzzle Velocity	Up to 370 f.p.s.	Projectile	BB	Weight	5.5 gr.
Average 80 shots per CO ₂ Powerlet™ at 70°F					

NOTE: Operating pistol at below 70°F will decrease the number of effective shots. The reverse is true for operation above 70°F.

Many factors affect velocity, including brand of projectile, oiling of the gun, barrel condition and temperature.

REPAIR SERVICE

If your gun needs to be repaired, we recommend you take or send it to your nearest Crosman Authorized Service Center. (list of service centers in box with gun). Your gun requires special tools and fixtures to repair it. If you take it apart, you probably will not be able to reassemble it correctly. Crosman assumes no warranty responsibility in this case.

A SPECIAL CUSTOMER SERVICE

Crosman Authorized Service Stations will unjam your pistol at no cost during the warranty period.

16